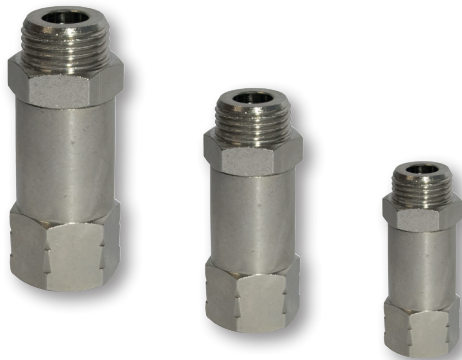


# Unidirectional valves

Connection: 1/8", 1/4", 1/2"

- Ideal for industrial applications
- High flow rate
- Nickel-plated brass body and shutter
- Spring in AISI 302 - NBR gaskets
- Automatic operation



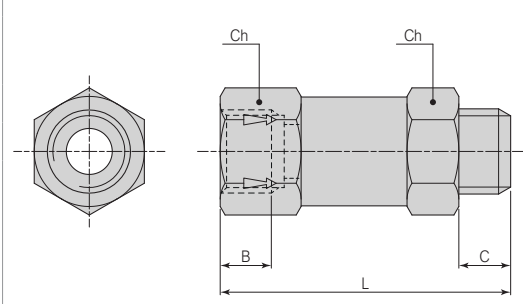
## TECHNICAL FEATURES

<b>Function</b>	Unidirectional valve		
<b>Operation</b>	Automatic		
<b>Materials</b>	Nickel-plated brass body and shutter - Spring in AISI 302 NBR gaskets		
<b>Note on materials</b>	Compliant with REACH (1907/2006/EC and subsequent amendments)		
<b>Connections</b>	Size A: 1/8" Gas Size B: 1/4" Gas Size C: 1/2" Gas		
<b>Threads</b>	Cylindrical Gas (BSPP)		
<b>Operating temperature</b>	0°C ÷ 80°C (-20°C with dry air, to avoid ice formation)		
<b>Operating pressure</b>	2 ÷ 8 bar (minimum closing pressure: 0,2 bar)		
<b>Air flow rate</b>			
Connection	Size A - 1/8"	Size B - 1/4"	Size C - 1/2"
Supply pressure	5 bar	570 NI/min	950 NI/min
(with ΔP 1 bar)	6 bar	630 NI/min	1050 NI/min
	7 bar	690 NI/min	1110 NI/min
<b>Fluid</b>	Filtered air, lubrication-free, compliant with ISO 8573-1:2010 [7:4:4]		
<b>Lubrication</b>	Not required (if required in the pneumatic circuit, it must be continuous)		

3  
PNEUMATIC DISTRIBUTORS

## UNIDIRECTIONAL VALVES

### AUTOMATIC OPERATION - MONOSTABLE



Symbol	Size	Connections	B	C	Ch	L	Code
	A	Gas 1/8"	8,5	6	14	37,5	UM8
	B	Gas 1/4"	11	8	17	46,5	UM4
	C	Gas 1/2"	15	10	24	64	UM2