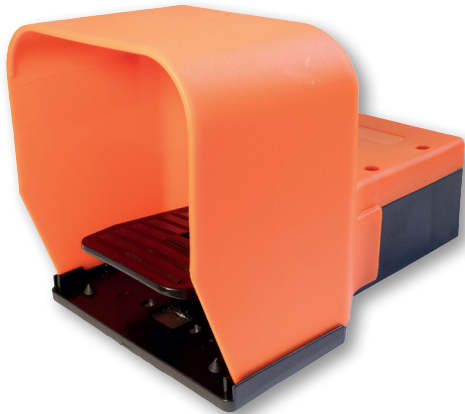


Foot control valves

Connection: 1/4"

PEDAL VALVES



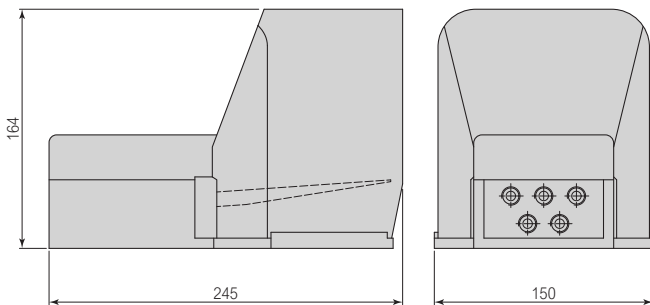
- Ideal for industrial applications
- Safety lever and position lock device
- Polypropylene body
- Anodised aluminium valve
- 3/2 - 5/2 pedal operated

TECHNICAL FEATURES

Function	3/2 - 5/2
Operation	Pedal - Monostable mechanical spring return, bistable
Materials	Polypropylene body, anodised aluminium valve - other components in metal or plastic polymers Internal components in steel - aluminium - brass - NBR gaskets
Note on materials	Compliant with REACH (1907/2006/EC and subsequent amendments)
Connections	1/4" Gas
Threads	Cylindrical Gas (BSPP)
Operating temperature	0°C ÷ +70°C (-20°C with dry air, to avoid ice formation)
Operating pressure	2.5 ÷ 10 bar
Air flow rate	
Connection	1/4"
Nominal diameter	7.5 mm
Supply pressure	5 bar 700 NI/min
(with ΔP 1 bar)	6 bar 800 NI/min
	7 bar 920 NI/min
Fluid	Filtered air, lubrication-free, compliant with ISO 8573-1:2010 [7:4:4]
Lubrication	Not required (if required in the pneumatic circuit, it must be continuous)

PEDAL VALVES

PEDAL OPERATION - MONOSTABLE WITH MECHANICAL SPRING RETURN - BISTABLE



Symbol	Way	Connections	Code
	3/2 NC	Gas 1/4"	36357
	3/2	Gas 1/4"	36367
	5/2	Gas 1/4"	36359
	5/2	Gas 1/4"	36369