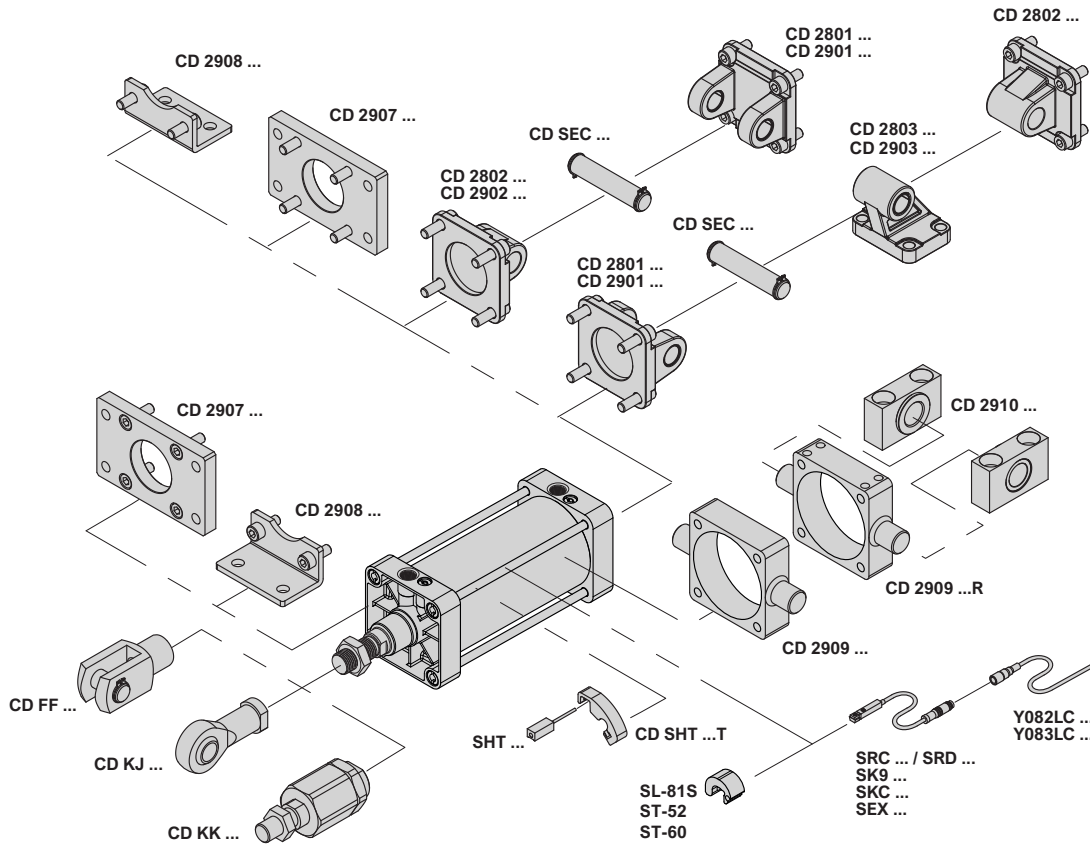


ACCESSORIES



All mounting accessories are supplied complete with screws for fixing to cylinder

CD FF ... Female clevis with pin	CD KJ ... Self-lubricating oscillating joint	CD KK ... Self-aligning joint angular and radial	CD 2801 ... Female hinge (MP2)	CD 2901 ... Female hinge(MP2)	CD 2802 ... Male hinge (MP4)	CD 2902 ... Male hinge (MP4)	CD 2803 ... Square joint at 90° (AB7)	CD 2903 ... Square joint at 90° (AB7)
Page 1.3.20.6	Page 1.3.20.6	Page 1.3.20.6	Page 1.3.20.7	Page 1.3.20.7	Page 1.3.20.7	Page 1.3.20.7	Page 1.3.20.7	Page 1.3.20.7
160 CD FF 160	CD KJ 160	CD KK 160	CD 2801 160	CD 2901 160	CD 2802 160	CD 2902 160	CD 2803 160	CD 2903 160
200 CD FF 200	CD KJ 200	CD KK 200	CD 2801 200	CD 2901 200	CD 2802 200	CD 2902 200	CD 2803 200	CD 2903 200
250 CD FF 250	CD KJ 250	-	CD 2801 250	CD 2901 250	CD 2802 250	CD 2902 250	CD 2803 250	CD 2903 250
320 CD FF 320	CD KJ 320	-	CD 2801 320	CD 2901 320	CD 2802 320	CD 2902 320	CD 2803 320	CD 2903 320
Clevis and lockable pins in galvanized steel	Joint in galvanized steel, bush in sinterized bronze	Joint and nut in galvanized steel, Pin in blacked steel	Light alloy	Painted steel black cataphoresis	Light alloy	Painted steel black cataphoresis	Light alloy	Painted steel black cataphoresis
CD 2907 ... Front and rear flange (MF1-MF2)	CD 2908 ... Low foot pedestal (MS1)	CD 2909 ... Not adjustable intermediate hinge	CD 2909...R Adjustable intermediate hinge (MT4)	CD 2910 ... Support for intermediate hinge (AT4)	CD SEC ... Pin for female hinge MP2 (AA4)			
Page 1.3.20.7	Page 1.3.20.8	Page 1.3.20.8	Page 1.3.20.8	Page 1.3.15.9	Page 1.3.20.9			
160 CD 2907 160	CD 2908 160	CD 2909 160	CD 2909 160R	CD 2910 160	CD SEC 160			
200 CD 2907 200	CD 2908 200	CD 2909 200	CD 2909 200R	CD 2910 200	CD SEC 200			
250 CD 2907 250	CD 2908 250	CD 2909 250	CD 2909 250R	CD 2910 250	CD SEC 250			
320 CD 2907 320	CD 2908 320	CD 2909 320	CD 2909 320R	CD 2910 320	CD SEC 320			
White zinc coating steel	White zinc coating steel	White zinc coating steel	White zinc coating steel	White zinc coating steel Bush in sinterized bronze	White zinc coating steel			



ACCESSORIES								
	CD SG ... Standard seals kit	CD SGV ... High temperature seals kit	CD SGVS ... Seals kit, rod in FKM other as standard	CDM SG ... Standard seals kit Magnetic	CDM SGV ... High temperature seals kit Magnetic			
Ø								
160	CX SG 160	CX SGV 160	CX SGVS 160	CXM SG 160	CXM SGV 160			
200	CX SG 200	CX SGV 200	CX SGVS 200	CXM SG 200	CXM SGV 200			
250	CX SG 250	CX SGV 250	CX SGVS 250	CXM SG 250	CXM SGV 250			
320	CX SG 320	CX SGV 320	CX SGVS 320	CXM SG 320	CXM SGV 320			
	Rod seals: Polyurethane Other seals: NBR	Seals in FKM	Rod seals: FKM Other seals: NBR	Rod seals: Polyurethane Other seals: NBR	Seals in FKM			
	SR ... NC sensors REED / HALL	SK9 ... IP69K sensor PNP	SKC ... Precise position sensor PNP	SEX ... ATEX IIG sensor PNP	SHT ... High temperature sensor REED	Y082LC/Y083LC Straight connectors	SL-... / ST- ... Bracket for sensor	CD SHT ...T Bracket for sensor SHT
Ø	Page 1.3.20.10	Page 1.3.20.11	Page 1.3.20.11	Page 1.3.20.11	Page 1.3.20.12	Page 1.3.20.12	Page 1.3.20.13	Page 1.3.20.13
160							SL-81S	CD SHT 160T
200							SL-81S	CD SHT 200T
250							ST-60	CD SHT 250T
320							ST-52	CD SHT 320T
	Sensor: PA6 Cable: PUR	Sensor: PA12 Cable: PUR	Sensor: PA Cable: PUR	Sensor: PA Cable: PVC	Sensor: Aluminium Cable: PTFE	Connector: PVC Contacts: Gilded brass Cable: PVC	Bracket: Anodised aluminium Screw and plate: steel	Bracket: Anodised aluminium Screw and plate: steel

PISTON ROD ACCESSORIES

CD FF ... Female clevis with pin	Bore mm	Code	AA	AB	Ø AC	AD	AE	AF	AG	AH	
	160	CD FF 160	35	M36 x 2,0	h11	35	70	72	188	144	84
	200	CD FF 200	35								
	250	CD FF 250	40								
	320	CD FF 320	50								
<p>CD FF ... Clevis and clip in zinc plated steel / 1 piece each package</p>											

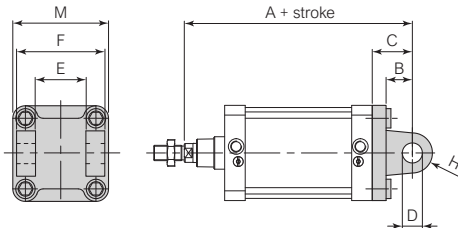
CD KJ ... Self-lubricating oscillating joint	Bore mm	Code	AB	Ø AC	AM	AN	AO	AP	AQ	Ø AR	Ø AS	Ø AT	AU	AV	AZ
	160	CD KJ 160	M36 x 2,0	35	56	50	80	43	28	37,7	46	58	17	125	165
	200	CD KJ 200	M36 x 2,0	35	56	50	80	43	28	37,7	46	58	17	125	165
	250	CD KJ 250	M42 x 2,0	40	60	55	91	49	33	45,1	53	65	19	142	187
	320	CD KJ 320	M48 x 2,0	50	65	65	117	60	45	56,6	65	75	23	162	218
<p>CD KJ ... Joint in zinc plated steel, bush in sintered bronze, ring in hardened bearing steel / 1 piece each package</p>															

CD KK ... Self-aligning joint angular and radial	Bore mm	Code	A	B	C	D	E	Ø F	Ø G	Ø H	L	M	Ch1	Ch2	Ch3	°β	Static load daN
	160	CD KK 160	M36 x 2,0	190	72	15,5	77	39	57	75	2	68	32	54	70	8	4000
	200	CD KK 200	M36 x 2,0	190	72	15,5	77	39	57	75	2	68	32	54	70	8	4000
<p>CD KK ... Joint and nut in zinc plated steel, pin in burnished steel / 1 piece each package</p>																	

ACCESSORI DI FISSAGGIO

CD 2801 ... / CD 2901 ...

Female hinge (MP2)

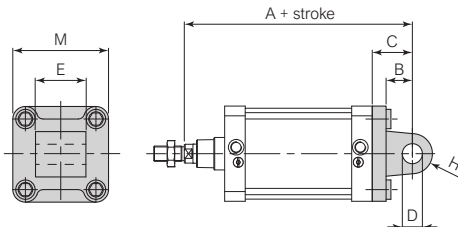


Bore mm	Code	A+	B	C	D	E	F	M	H	Fixing screw
160	CD 2801 160 CD 2901 160	315	35	55	30	90	170	180	30	M16 x 30
200	CD 2801 200 CD 2901 200	335 ±2,0	35	60	30	90	170	220	30	M16 x 30
250	CD 2801 250 CD 2901 250	375	45	70	40	110	200	270	40	M20 x 30
320	CD 2801 320 CD 2901 320	420 ±2,5	50	80	45	120	220	350	45	M24 x 40

CD 2801 ... Light alloy / CD 2901 ... Painted steel black cataphoresis / 1 piece each package + 4 screws for fixing to cylinder

CD 2802 ... / CD 2902 ...

Male hinge (MP4)

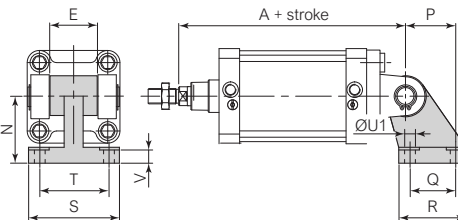


Bore mm	Code	A+	B	C	D	E	M	H	Fixing screw
160	CD 2802 160 CD 2902 160	315	35	55	30	90	180	30	M16 x 30
200	CD 2802 200 CD 2902 200	335 ±2,0	35	60	30	90	220	30	M16 x 30
250	CD 2802 250 CD 2902 250	375	45	70	40	110	270	40	M20 x 30
320	CD 2802 320 CD 2902 320	420 ±2,5	50	80	45	120	350	45	M24 x 40

CD 2802 ... Light alloy / CD 2902 ... Painted steel black cataphoresis / 1 piece each package + 4 screws for fixing to cylinder

CD 2803 ... / CD 2903 ...

Square joint at 90° (AB7)

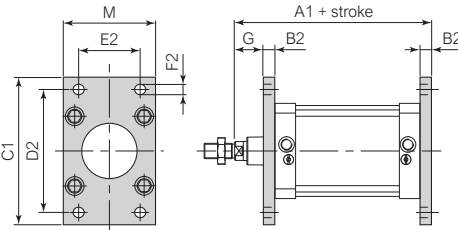


Bore mm	Code	A+	E	N	P	Q	R	S	T	ØU1	V
160	CD 2803 160 CD 2903 160	315	90	115	97	88	126	156	118	14	23
200	CD 2803 200 CD 2903 200	335 ±2,0	90	135	105	90	130	162	122	18	30

CD 2803 ... Light alloy / CD 2903 ... Painted steel black cataphoresis / 1 piece each package

CD 2907 ...

Front and rear flange ISO (MF1-MF2)



Bore mm	Code	A1+	B2	C1	D2	E2	F2	G	M	Vite di ancoraggio
160	CD 2907 160	280	20	260	230	115	18	60	180	M16 x 30
200	CD 2907 200	300 ±2,0	25	310	270	135	22	70	220	M16 x 30
250	CD 2907 250	330	25	390	330	165	26	80	270	M20 x 30
320	CD 2907 320	370 ±2,5	30	460	400	200	33	90	350	M24 x 40

CD 2907 ... White zinc plated steel / 1 piece each package + 4 screws for fixing to cylinder

MOUNTING ACCESSORIES

CD 2908 ... Low foot pedestal (MS1)	Bore mm	Code	A2+	B3	C2	E2	Ø G1	M	N	Q1+	V1	Vite di ancoraggio ISO 4762		
				±0,2		JS14	H14		JS16		±0,5			
	160	CD 2908 160	144		24	35	32	7	45	32	142	4	M6 x 18	
	200	CD 2908 200	163	±1,25	28	36	36	9	52	36	161	±1,25	4	M6 x 18
	250	CD 2908 250	175		32	47	45	9	65	45	170		5	M8 x 20
	320	CD 2908 320	190	±1,6	32	45	50	9	75	50	185	±1,6	5	M8 x 20

CD 2908 ... White zinc plated steel / 1 piece each package + 2 screws for fixing to cylinder

CD 2909 ... Not adjustable intermediate hinge (MT4)	Bore mm	Code	A3 h14	B4 h14	C3	Ø D3 e9	E3	Xmin	Xmax +
	160	CD 2909 160	200	32	198	32	40	148	193
	200	CD 2909 200	250	32	245	32	40	163	210
	250	CD 2909 250	320	40	304	40	50	185	225
	320	CD 2909 320	400	50	370	50	60	207	253

CD 2909 ... White zinc plated steel / 1 piece each package

CD 2909 ...R Adjustable intermediate hinge	Bore mm	Code	A3 h14	B4 h14	C3	Ø D3 e9	E3	Xmin	Xmax +
	160	CD 2909 160R	200	32	190	32	40	148	193
	200	CD 2909 200R	250	32	240	32	40	163	210
	250	CD 2909 250R	320	40	295	40	50	185	225
	320	CD 2909 320R	400	50	370	50	70	212	248

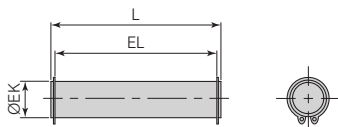
CD2909 ... R White zinc plated steel / 1 piece each package + 8 set head screws for fixing to cylinder

CD 2910 ... Support for intermediate hinge (AT4)	Bore mm	Code	A3 h14	A4	B5	C4	Ø D3	E4	F3	Ø G2	Ø G3	M1	N1
							F7	±0,2	±0,5	H13	H13		±0,1
	160	CD 2910 160	200	92	245	280	32	60	17	18	26	60	30
	200	CD 2910 200	250	92	295	330	32	60	17	18	26	60	30
	250	CD 2910 250	320	140	382	382	40	90	20	22	33	70	35
	320	CD 2910 320	400	150	465	520	50	100	25	26	39	80	40

CD 2910 ... White zinc plated steel, bush in sintered bronze / 2 pieces each package

MOUNTING ACCESSORIES

CD SEC ... Pin for female hinge MP2 (AA4)	Bore mm	Code	Ø EK e8	EL $+0,3$ 0	L
	160	CD SEC 160	30	171,5	178
	200	CD SEC 200	30	171,5	178
	250	CD SEC 250	40	202	211
	320	CD SEC 320	45	222	236



CD SEC ... White zinc plated steel / 1 piece each package + 2 retaining rings DIN 471