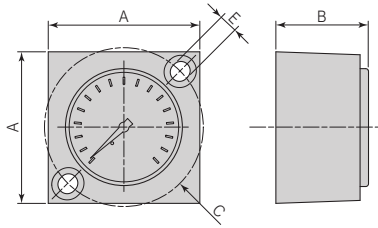


BK0 SERIES ACCESSORIES
PRESSURE GAUGES

Size 0

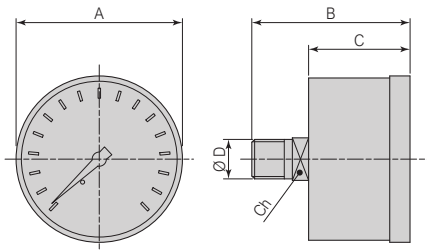


Size	Code	Scale bar	A	B	C	E
0	M Q 06	0 ÷ 6	27	16.5	28.5	3.3
1	M Q 12	0 ÷ 12				

M Q ... / Black plastic body - clear / 1 piece per pack

PRESSURE GAUGES

Size 1 - 2 - 4



Size	Code	Scale bar	A	B	C	Ø D	Ch
1	M 5 04	0 ÷ 4	49	45	26.5	Gas 1/4"	14
	M 5 10	0 ÷ 10					
	M 5 12	0 ÷ 12					
2	M 5 04	0 ÷ 4	63	50	31.5	Gas 1/4"	14
	M 5 10	0 ÷ 10					
	M 5 12	0 ÷ 12					

M 5 ... / Black plastic body - clear, brass threaded connection / 1 piece per pack

BK0 SERIES ACCESSORIES

ASSEMBLY AND FASTENING KIT		Size	Code	A	B	C	D	E
	0	BK00 SM	98.6	48	5.6	7.3	5.4	
	1	BK01 SM	98.6	49.5	5.6	7.3	5.4	
	1	BK01 SM	98.6	49.5	5.6	7.3	5.4	
	2	BK02 SM	108	72	8	8	6.4	
	2	BK02 SM	108	72	8	8	6.4	
	4	BK04 SM	145	86.5	10	10	8.5	
4	BK04 SM	145	86.5	10	10	8.5		

BK... SM ... / PA66 bracket, galvanised steel screws, NBR gasket - 1 piece per pack

ASSEMBLY KIT		Size	Code	A	B
	0	BK00 SS	50	6.8	
	1	BK01 SS	62	6.8	
	1	BK01 SS	62	6.8	
	2	BK02 SS	75	10.3	
	2	BK02 SS	75	10.3	
	4	BK04 SS	102	14.5	
4	BK04 SS	102	14.5		

BK... SS ... / PA66 bracket, galvanised steel screws, NBR gasket - 1 piece per pack

FASTENING BRACKET		Size	Code	A	B	C	D	E	F	G	H	I	L	M	N
	0	BK00 SP	48	43	65	33.8	21	13	44.4	38	4.2	6.6	5.4	31.2	
	1	BK01 SP	49.4	40	65	30.8	18	10	44.4	38	4.2	6.6	5.4	37.2	
	1	BK01 SP	49.4	40	65	30.8	18	10	44.4	38	4.2	6.6	5.4	37.2	
	2	BK02 SP	72	44	72	-	34	16	44	-	8.5	7	-	43.2	
	2	BK02 SP	72	44	72	-	34	16	44	-	8.5	7	-	43.2	
	4	-	-	-	-	-	-	-	-	-	-	-	-	-	-
	4	-	-	-	-	-	-	-	-	-	-	-	-	-	-

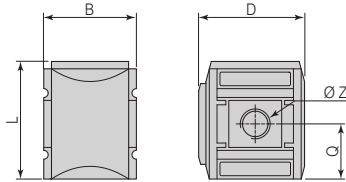
BK... SP ... / Galvanised steel bracket - 1 piece per pack

ASSEMBLY BRACKET		Size	Code	A	B	C	D	E	F	G	H	I	L	N
	0	BK00 SF	65	92	28	57.8	45	37	44.4	38	4.2	6.6	5.4	
	1	BK01 SF	65	102	28	61.8	49	41	44.4	38	4.2	6.6	5.4	
	1	BK01 SF	65	102	28	61.8	49	41	44.4	38	4.2	6.6	5.4	
	2	BK02 SF	72	120	46	-	72.5	54.5	54	-	8.5	7	-	
	2	BK02 SF	72	120	46	-	72.5	54.5	54	-	8.5	7	-	
	4	BK04 SF	124	172	52	110	95	83	56	105	8.4	8.5	12	
	4	BK04 SF	124	172	52	110	95	83	56	105	8.4	8.5	12	

BK... SF ... / Galvanised steel bracket - 1 piece per pack

BK0 SERIES ACCESSORIES
NON-RETURN VALVE

Electric	Technical characteristics						
Code	BK00 UD 14	BK01 UD 14	BK01 UD 38	BK02 UD 38	BK02 UD 12	BK04 UD 34	BK04 UD 11
Size	0	1	1	2	2	4	4
Connections	Gas 1/4"	Gas 1/4"	Gas 3/8"	Gas 3/8"	Gas 1/2"	Gas 3/4"	Gas 1"
Air flow rate	800 NI/min	1250 NI/min	1250 NI/min	4500 NI/min	4500 NI/min	16000 NI/min	16000 NI/min
Operating pressure	0.5 ÷ 12 bar	0.5 ÷ 16 bar	0.5 ÷ 16 bar	0.5 ÷ 16 bar	0.5 ÷ 16 bar	0.5 ÷ 16 bar	0.5 ÷ 16 bar
Operating temperature	0°C ÷ +50°C						

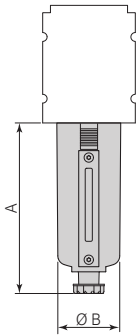

Dimensions

Size	Code	Ø Z	B	D	L	Q
0	BK00 UD 14	Gas 1/4"	43	48	66	39
1	BK01 UD 14	Gas 1/4"	52	54	67	33
1	BK01 UD 38	Gas 3/8"	52	54	67	33
2	BK02 UD 38	Gas 3/8"	63	67	81	38
2	BK02 UD 12	Gas 1/2"	63	67	81	38
4	BK04 UD 34	Gas 3/4"	85	93	112	54
4	BK04 UD 11	Gas 1"	85	93	112	54

BK... UD ... / PA66 body - 1 piece per pack

METAL BOWL

	Technical characteristics						
Code	BK00 TZM	BK01 TZM	BK01 TZM	BK02 TZM	BK02 TZM	BK04 TZM	BK04 TZM
Size	0	1	1	2	2	4	4
Operating pressure	0 ÷ 16 bar	0 ÷ 16 bar	0 ÷ 16 bar	0 ÷ 16 bar	0 ÷ 16 bar	0 ÷ 16 bar	0 ÷ 16 bar
Operating temperature	0°C ÷ +50°C						

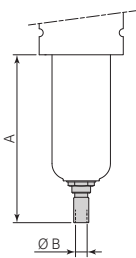

Dimensions

Size	Code	A	Ø B
0	BK00 UD 14	72	36
1	BK01 UD 14	98	38
1	BK01 UD 38	98	38
2	BK02 UD 38	110	44
2	BK02 UD 12	110	44
4	BK04 UD 34	140	60
4	BK04 UD 11	140	60

BK... TZM / Metal and technopolymer body, NBR gaskets - 1 piece per pack

AUTOMATIC CONDENSATE DRAIN

	Technical characteristics	
Code	BK SA	BK SA NC
Size	0 - 1 - 2 - 4	0 - 1 - 2 - 4
Operation	Normally open. Opening of the discharge valve in the absence of pressure or when the tank is full	Normally closed. Opening of the discharge valve only upon filling of the tank.
Operating pressure	1.5 ÷ 16 bar	1.5 ÷ 16 bar
Operating temperature	0°C ÷ +50°C	


Dimensions

Size	Code	A	Ø B
0	BK SA	108	Gas 1/8"
1		114	
2	BK SA NC	124.5	
4		153	

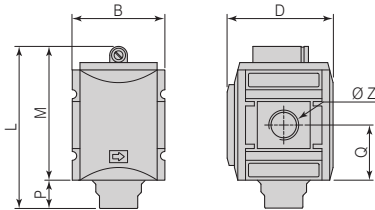
BK SA - BK SA NC / Brass body, technopolymer float, NBR gaskets - 1 piece per pack



BK0 SERIES ACCESSORIES

SOFT STARTER VALVE

Pneumatics	Technical characteristics						
Code	BK00 AP 14	BK01 AP 14	BK01 AP 38	BK02 AP 38	BK02 AP 12	BK04 AP 34	BK04 AP 11
Size	0	1	1	2	2	4	4
Connections	Gas 1/4"	Gas 1/4"	Gas 3/8"	Gas 3/8"	Gas 1/2"	Gas 3/4"	Gas 1"
Air flow rate	2000 NI/min	1900 NI/min	1900 NI/min	4400 NI/min	4400 NI/min	10000 NI/min	10000 NI/min
Operating pressure	2.5 ÷ 12 bar	2.5 ÷ 16 bar	2.5 ÷ 16 bar	2.5 ÷ 16 bar	2.5 ÷ 16 bar	2.5 ÷ 16 bar	2.5 ÷ 16 bar
Exchange pressure	50% of operating pressure (for closed systems only)						
Operating temperature	0°C ÷ +50°C						



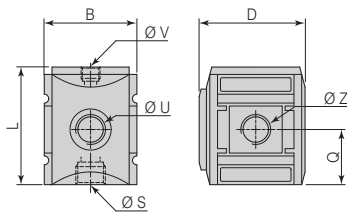
Dimensions

Size	Code	Ø Z	B	D	L	M	P	Q
0	BK00 AP 14	Gas 1/4"	43	48	105	85	20	25
1	BK01 AP 14	Gas 1/4"	52	54	83	83	-	33
1	BK01 AP 38	Gas 3/8"	52	54	83	83	-	33
2	BK02 AP 38	Gas 3/8"	63	67	153	98	55	37
2	BK02 AP 12	Gas 1/2"	63	67	153	98	55	37
4	BK04 AP 34	Gas 3/4"	85	93	180	129	51	51
4	BK04 AP 11	Gas 1"	85	93	180	129	51	51

BK... AP ... / PA66 body - 1 piece per pack

"T" DERIVATION BLOCK

Electric	Technical characteristics						
Code	BK00 DT 14	BK01 DT 14	BK01 DT 38	BK02 DT 38	BK02 DT 12	BK04 DT 34	BK04 DT 11
Size	0	1	1	2	2	4	4
Connections	Gas 1/4"	Gas 1/4"	Gas 3/8"	Gas 3/8"	Gas 1/2"	Gas 3/4"	Gas 1"
Air flow rate	2700 NI/min	2700 NI/min	2700 NI/min	7250 NI/min	7250 NI/min	18000 NI/min	18000 NI/min
Air flow from Z to S	950 NI/min	2000 NI/min	2000 NI/min	5500 NI/min	5500 NI/min	12000 NI/min	12000 NI/min
Air flow from Z to V	2000 NI/min	2000 NI/min	2000 NI/min	2250 NI/min	2250 NI/min	8500 NI/min	8500 NI/min
Air flow from Z to U	-	900 NI/min	900 NI/min	2300 NI/min	2300 NI/min	-	-
Operating pressure	0 ÷ 12 bar	0 ÷ 16 bar	0 ÷ 16 bar	0 ÷ 16 bar	0 ÷ 16 bar	0 ÷ 16 bar	0 ÷ 16 bar
Operating temperature	0°C ÷ +50°C						



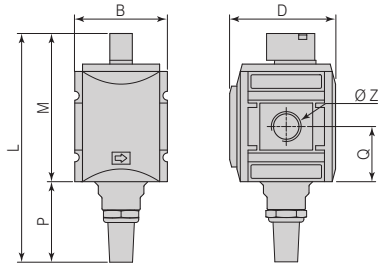
Dimensions

Size	Code	Ø Z	B	D	L	Q	Ø S	Ø U	Ø V
0	BK00 DT 14	Gas 1/4"	43	48	57	28	Gas 1/4"	-	Gas 1/4"
1	BK01 DT 14	Gas 1/4"	52	54	66	31	Gas 1/4"	Gas 1/4"	Gas 1/4"
1	BK01 DT 38	Gas 3/8"	52	54	66	31	Gas 1/4"	Gas 1/4"	Gas 1/4"
2	BK02 DT 38	Gas 3/8"	63	67	81	38	Gas 3/8"	Gas 3/8"	Gas 1/4"
2	BK02 DT 12	Gas 1/2"	63	67	81	38	Gas 3/8"	Gas 3/8"	Gas 1/4"
4	BK04 DT 34	Gas 3/4"	85	93	110	51	Gas 3/4"	-	Gas 3/4"
4	BK04 DT 11	Gas 1"	85	93	110	51	Gas 3/4"	-	Gas 3/4"

BK... DT ... / PA66 body - 1 piece per pack

BK0 SERIES ACCESSORIES
SHUT-OFF VALVE

Pneumatics	Technical characteristics						
Code	BK00 PCV 14	BK01 PCV 14	BK01 PCV 38	BK02 PCV 38	BK02 PCV 12	BK04 PCV 34	BK04 PCV 11
Size	0	1	1	2	2	4	4
Connections	Gas 1/4"	Gas 1/4"	Gas 3/8"	Gas 3/8"	Gas 1/2"	Gas 3/4"	Gas 1"
Air flow rate	2000 NI/min	2000 NI/min	2000 NI/min	4300 NI/min	4300 NI/min	12500 NI/min	12500 NI/min
Operating pressure	1.5 ÷ 12 bar	1.5 ÷ 16 bar	1.5 ÷ 16 bar	1.5 ÷ 16 bar	1.5 ÷ 16 bar	1.5 ÷ 16 bar	1.5 ÷ 16 bar
Operation	Pneumatic						
Operating temperature	0°C ÷ +50°C						

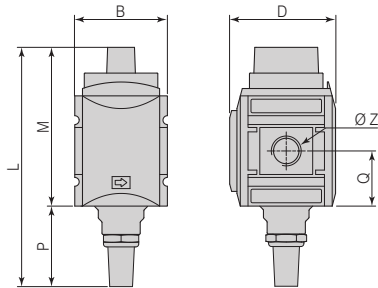

Dimensions

Size	Code	Ø Z	B	D	L	M	P	Q
0	BK00 PCV 14	Gas 1/4"	43	48	105	85	20	25
1	BK01 PCV 14	Gas 1/4"	52	54	83	83	-	33
1	BK01 PCV 38	Gas 3/8"	52	54	83	83	-	33
2	BK02 PCV 38	Gas 3/8"	63	67	153	98	55	37
2	BK02 PCV 12	Gas 1/2"	63	67	153	98	55	37
4	BK04 PCV 34	Gas 3/4"	85	93	180	129	51	51
4	BK04 PCV 11	Gas 1"	85	93	180	129	51	51

BK... PCV ... / PA66 body - 1 piece per pack

SHUT-OFF VALVE

Manual	Technical characteristics						
Code	BK00 VS 14	BK01 VS 14	BK01 VS 38	BK02 VS 38	BK02 VS 12	BK04 VS 34	BK04 VS 11
Size	0	1	1	2	2	4	4
Connections	Gas 1/4"	Gas 1/4"	Gas 3/8"	Gas 3/8"	Gas 1/2"	Gas 3/4"	Gas 1"
Air flow rate	2600 NI/min	1900 NI/min	1900 NI/min	5000 NI/min	5000 NI/min	14000 NI/min	14000 NI/min
Operating pressure	1.5 ÷ 12 bar	1.5 ÷ 16 bar	1.5 ÷ 16 bar	1.5 ÷ 16 bar	1.5 ÷ 16 bar	1.5 ÷ 16 bar	1.5 ÷ 16 bar
Operation	Manual						
Operating temperature	0°C ÷ +50°C						


Dimensions

Size	Code	Ø Z	B	D	L	M	P	Q
0	BK00 VS 14	Gas 1/4"	43	48	79	68	11	25
1	BK01 VS 14	Gas 1/4"	52	54	88	86	2	31
1	BK01 VS 38	Gas 3/8"	52	54	88	86	2	31
2	BK02 VS 38	Gas 3/8"	63	67	127	107	20	37
2	BK02 VS 12	Gas 1/2"	63	67	127	107	20	37
4	BK04 VS 34	Gas 3/4"	85	93	211	145	66	51
4	BK04 VS 11	Gas 1"	85	93	211	145	66	51

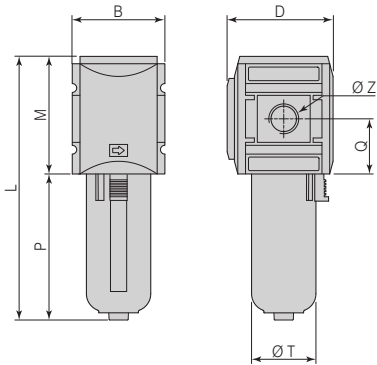
BK... VS ... / PA66 body technopolymer control - 1 piece per pack



BK0 SERIES ACCESSORIES

ACTIVATED CARBON FILTER

	Technical characteristics						
Code	BK00 FFC 14	BK01 FFC 14	BK01 FFC 38	BK02 FFC 38	BK02 FFC 12	BK04 FFC 34	BK04 FFC 11
Size	0	1	1	2	2	4	4
Connections	Gas 1/4"	Gas 1/4"	Gas 3/8"	Gas 3/8"	Gas 1/2"	Gas 3/4"	Gas 1"
Air flow rate	600 NI/min	650 NI/min	650 NI/min	1300 NI/min	1300 NI/min	2000 NI/min	2000 NI/min
Operating pressure	1.5 ÷ 12 bar	1.5 ÷ 16 bar	1.5 ÷ 16 bar	1.5 ÷ 16 bar	1.5 ÷ 16 bar	1.5 ÷ 16 bar	1.5 ÷ 16 bar
Purification level	0.3 µm - 99.999%						
Operating temperature	0°C ÷ +50°C						



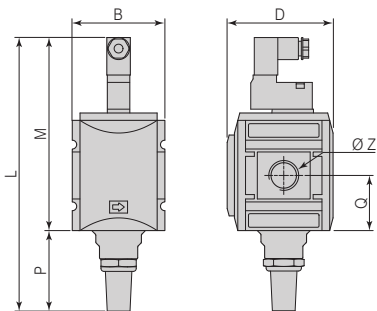
Dimensions

Size	Code	Ø Z	B	D	L	M	P	Q	Ø T
0	BK00 FFC 14	Gas 1/4"	43	48	132	52	80	25	36
1	BK01 FFC 14	Gas 1/4"	52	54	157	58	99	31	38
1	BK01 FFC 38	Gas 3/8"	52	54	157	58	99	31	38
2	BK02 FFC 38	Gas 3/8"	63	67	184	80	104	37	44
2	BK02 FFC 12	Gas 1/2"	63	67	184	80	104	37	44
4	BK04 FFC 34	Gas 3/4"	85	93	242	109	191	51	60
4	BK04 FFC 11	Gas 1"	85	93	242	109	191	51	60

BK... FFC ... / PA66 body Clear technopolymer bowl - 1 piece per pack

SHUT-OFF VALVE

Electric	Technical characteristics						
Code	BK00 ECV 14	BK01 ECV 14	BK01 ECV 38	BK02 ECV 38	BK02 ECV 12	BK04 ECV 34	BK04 ECV 11
Size	0	1	1	2	2	4	4
Connections	Gas 1/4"	Gas 1/4"	Gas 3/8"	Gas 3/8"	Gas 1/2"	Gas 3/4"	Gas 1"
Air flow rate	2000 NI/min	2000 NI/min	2000 NI/min	4300 NI/min	4300 NI/min	12500 NI/min	12500 NI/min
Operating pressure	1.5 ÷ 12 bar	1.5 ÷ 16 bar	1.5 ÷ 16 bar	1.5 ÷ 16 bar	1.5 ÷ 16 bar	1.5 ÷ 16 bar	1.5 ÷ 16 bar
Operation	Electro-pneumatic - Standard voltage 24 Vdc (Other voltages see p. 4.3.05.15)						
Operating temperature	0°C ÷ +50°C						



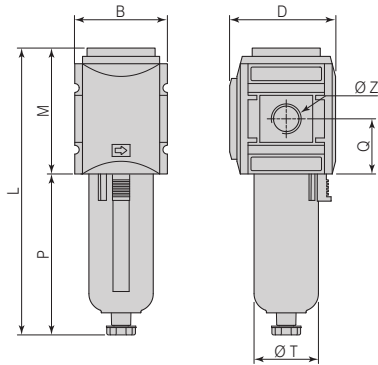
Dimensions

Size	Code	Ø Z	B	D	L	M	P	Q
0	BK00 ECV 14	Gas 1/4"	43	48	138	118	20	25
1	BK01 ECV 14	Gas 1/4"	52	54	118	85	-	33
1	BK01 ECV 38	Gas 3/8"	52	54	118	85	-	33
2	BK02 ECV 38	Gas 3/8"	63	67	151	134	17	40
2	BK02 ECV 12	Gas 1/2"	63	67	151	134	17	40
4	BK04 ECV 34	Gas 3/4"	85	93	213	165	48	54
4	BK04 ECV 11	Gas 1"	85	93	213	165	48	54

BK... ECV ... / PA66 body - 1 piece per pack

BK0 SERIES ACCESSORIES
PREFILTER

	Technical characteristics						
Code	BK00 PF 14	BK01 PF 14	BK01 PF 38	BK02 PF 38	BK02 PF 12	BK04 PF 34	BK04 PF 11
Size	0	1	1	2	2	4	4
Connections	Gas 1/4"	Gas 1/4"	Gas 3/8"	Gas 3/8"	Gas 1/2"	Gas 3/4"	Gas 1"
Air flow rate	350 NI/min	500 NI/min	500 NI/min	580 NI/min	580 NI/min	1500 NI/min	1500 NI/min
Operating pressure	1.5 ÷ 12 bar	1.5 ÷ 16 bar	1.5 ÷ 16 bar	1.5 ÷ 16 bar	1.5 ÷ 16 bar	1.5 ÷ 16 bar	1.5 ÷ 16 bar
Purification level	0.3 µm - 99.999%						
Operating temperature	0°C ÷ +50°C						

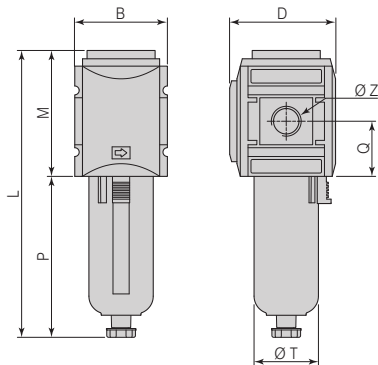

Dimensions

Size	Code	Ø Z	B	D	L	M	P	Q	Ø T
0	BK00 PF 14	Gas 1/4"	43	48	132	52	80	25	36
1	BK01 PF 14	Gas 1/4"	52	54	169	70	99	31	38
1	BK01 PF 38	Gas 3/8"	52	54	166	70	99	31	38
2	BK02 PF 38	Gas 3/8"	63	67	195	85.5	109.5	37.5	44
2	BK02 PF 12	Gas 1/2"	63	67	195	85.5	109.5	37.5	44
4	BK04 PF 34	Gas 3/4"	85	93	252	114	138	51	60
4	BK04 PF 11	Gas 1"	85	93	252	114	138	51	60

BK... PF ... / PA66 body Clear technopolymer bowl - 1 piece per pack

FINE FILTER

	Technical characteristics						
Code	BK00 FF 14	BK01 FF 14	BK01 FF 38	BK02 FF 38	BK02 FF 12	BK04 FF 34	BK04 FF 11
Size	0	1	1	2	2	4	4
Connections	Gas 1/4"	Gas 1/4"	Gas 3/8"	Gas 3/8"	Gas 1/2"	Gas 3/4"	Gas 1"
Air flow rate	350 NI/min	350 NI/min	350 NI/min	500 NI/min	500 NI/min	1500 NI/min	1500 NI/min
Operating pressure	1.5 ÷ 12 bar	1.5 ÷ 16 bar	1.5 ÷ 16 bar	1.5 ÷ 16 bar	1.5 ÷ 16 bar	1.5 ÷ 16 bar	1.5 ÷ 16 bar
Purification level	0.01 µm - 99.999%						
Operating temperature	0°C ÷ +50°C						


Dimensions

Size	Code	Ø Z	B	D	L	M	P	Q	Ø T
0	BK00 FF 14	Gas 1/4"	43	48	132	52	80	25	36
1	BK01 FF 14	Gas 1/4"	52	54	164	67	97	33	38
1	BK01 FF 38	Gas 3/8"	52	54	164	67	97	33	38
2	BK02 FF 38	Gas 3/8"	63	67	190	83	107	40	44
2	BK02 FF 12	Gas 1/2"	63	67	190	83	107	40	44
4	BK04 FF 34	Gas 3/4"	85	93	247	112	135	54	60
4	BK04 FF 11	Gas 1"	85	93	247	112	135	54	60

BK... FF ... / PA66 body Clear technopolymer bowl - 1 piece per pack



BK0 SERIES ACCESSORIES								
		DERIVATION BLOCK "T"	NON-RETURN VALVE	FASTENING RING NUT	ASSEMBLY AND FASTENING KIT	ASSEMBLY KIT	FASTENING BRACKET	ASSEMBLY BRACKET
Size	Connections	Page 4.3.05.11	Page 4.3.05.12	-	Page 4.3.05.13	Page 4.3.05.13	Page 4.3.05.13	Page 4.3.05.13
0	Gas 1/4"	BK00 DT 14	BK00 UD 14	BK00 GH	BK00 SM 14	BK00 SS 14	BK00 SP	BK00 SF
1	Gas 1/4"	BK01 DT 14	BK01 UD 14	BK01 GH	BK01 SM 14	BK01 SS 14	BK01 SP	BK01 SF
1	Gas 3/8"	BK01 DT 38	BK01 UD 38	BK01 GH	BK01 SM 38	BK01 SS 38	BK01 SP	BK01 SF
2	Gas 3/8"	BK02 DT 38	BK02 UD 38	BK02 GH	BK02 SM 38	BK02 SS 38	BK02 SP	BK02 SF
2	Gas 1/2"	BK02 DT 12	BK02 UD 12	BK02 GH	BK02 SM 12	BK02 SS 12	BK02 SP	BK02 SF
4	Gas 3/4"	BK04 DT 34	BK04 UD 34	BK04 GH	BK04 SM 34	BK04 SS 34	-	BK04 SF
4	Gas 1"	BK04 DT 1	BK04 UD 1	BK04 GH	BK04 SM 1	BK04 SS 1	-	BK04 SF
		PA66 body	PA66 body	Black technopolymer ring nut	PA66 bracket Steel screws NBR gasket	PA66 bracket Steel screws NBR gasket	Galvanised steel	Galvanised steel
		METAL BOWL With level and drain indicator	AUTOMATIC CONDENSATE DRAIN		PRESSURE GAUGE	PRESSURE GAUGE		PADLOCK FOR REGULATOR
			Normally open	Normally closed	Size 0	Dial Ø50	Dial Ø63	
		Page 4.3.05.12	Page 4.3.05.12		Page 4.3.05.14	Page 4.3.05.14		
Size	Connections	BK00 TZM						
0	Gas 1/4"	BK00 TZM						
1	Gas 1/4"	BK01 TZM						
1	Gas 3/8"	BK01 TZM	BK SA	BK SA NC	M Q ...	MA 5 ... 1/4	MA 6 ... 1/4	BK LK 1
2	Gas 3/8"	BK02 TZM						BK LK 2
2	Gas 1/2"	BK02 TZM						
4	Gas 3/4"	BK04 TZM						
4	Gas 1"	BK04 TZM						
		Metal and technopolymer body NBR gaskets	Components in PA66 and brass NBR gaskets		Black plastic body Clear plastic dial	Black plastic body Clear plastic dial Brass threaded connection		-
SPRING								
Size 0		Size 1		Size 2		Size 4		
BK00 ML 04	0.2 ÷ 4 bar	BK01 ML 04	0.1 ÷ 1 bar	BK02 ML 04	0.1 ÷ 1 bar	BK04 ML 04	0.1 ÷ 1 bar	
BK00 ML 08	0.5 ÷ 8 bar	BK01 ML 02	0.1 ÷ 2 bar	BK02 ML 02	0.1 ÷ 2 bar	BK04 ML 02	0.1 ÷ 2 bar	
BK00 ML 10	0.5 ÷ 10 bar	BK01 ML 04	0.2 ÷ 4 bar	BK02 ML 04	0.2 ÷ 4 bar	BK04 ML 04	0.2 ÷ 4 bar	
		BK01 ML 08	0.5 ÷ 8 bar	BK02 ML 08	0.5 ÷ 8 bar	BK04 ML 08	0.5 ÷ 8 bar	
		BK01 ML 10	0.2 ÷ 10 bar	BK02 ML 10	0.2 ÷ 10 bar	BK04 ML 10	0.2 ÷ 10 bar	
		BK01 ML 16	0.5 ÷ 16 bar	BK02 ML 16	0.5 ÷ 16 bar	BK04 ML 16	0.5 ÷ 16 bar	
Harmonic steel								
ADJUSTABLE PRESURE SWITCH	BOBF ... "F" type coil AC / DC	CNN3 Connector for "F" type coil	CNN3 ... LED LED connector for "F" type coil					
Page 4.3.05.15	Page 4.3.05.15	Page 4.3.05.15	Page 4.3.05.15					
F4 S1 M2	BOBF..	CNN3	CNN3 ... LED					
	Resin body NBR gaskets	PA6 GF body	PA6 GF - PA12 body					

