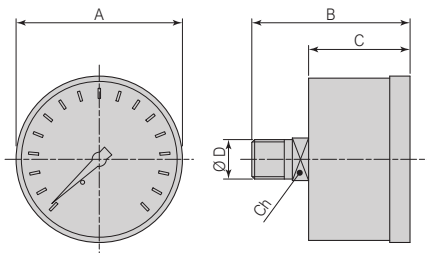


BK5 SERIES ACCESSORIES
PRESSURE GAUGES

Ø 40 - Ø 50 - Ø 63



Size	Code	Scale	A	B	C	Ø D	Ch
Air treatment unit							
Gas 1/4" Gas 1/2"	M 4 04	0 ÷ 4	40	37	24.5	Gas 1/8"	12
	M 4 06	0 ÷ 6					
	M 4 10	0 ÷ 10					
	M 4 12	0 ÷ 12					
Gas 1/4" Gas 1/2"	M 5 04	0 ÷ 4	50	46	27.5	Gas 1/8"	14
	M 5 10	0 ÷ 10					
	M 5 12	0 ÷ 12					
Gas 1"	M 6 04	0 ÷ 4	63	46	27.5	Gas 1/4"	14
	M 6 06	0 ÷ 6					
	M 6 10	0 ÷ 10					
	M 6 12	0 ÷ 12					

Black plastic body - clear, threaded connection / 1 piece per pack

BK5 SERIES ACCESSORIES

ASSEMBLY BRACKET For BK51 R 14P ...	Size	Code	A	B	C	D	E	F	G	H	I	L	M	N	O	P	Q
	1		70	74	2	56.5	51	40	48	34	46	3.5	9	7	5.5	8.5	20
	BK... SM ... / Galvanised steel bracket - 1 piece per pack																

METAL BOWL For BK51 R 14P ...	Size	Code	A	Ø B	Operating pressure	Operating temperature
	1	BK51 TMS	112	40	0 ÷ 16 bar	0°C ÷ +50°C
	BK51 TMS / Metal and technopolymer body, NBR gaskets - 1 piece per pack					

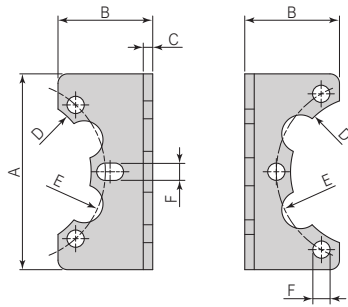
AUTOMATIC CONDENSATE DRAIN		
Technical characteristics		
Code	BK SA	BK SA NC
Size	1	1
Operation	Normally open. Opening of the discharge valve in the absence of pressure or when the tank is full	Normally closed. Opening of the discharge valve only upon filling of the tank.
Operating pressure	1.5 ÷ 16 bar	1.5 ÷ 16 bar
Operating temperature	0°C ÷ +50°C	

Dimensions			
Size	Code	A	Ø B
1	BK SA	108	Gas 1/8"
	BK SA NC		

BK SA - BK SA NC / Brass body, technopolymer float, NBR gaskets - 1 piece per pack			
--	--	--	--

BK5 SERIES ACCESSORIES
ASSEMBLY BRACKET

For BK51 R 14P ...

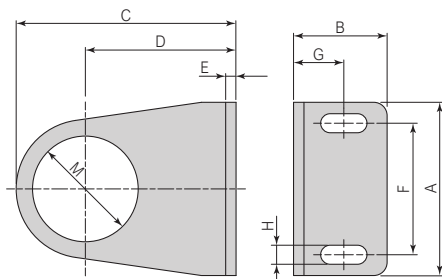


Size	Code	A	B	C	D	E	F
1		62	30	3	24	28.5	5.5

BK... SM ... / Galvanised steel bracket - 1 piece per pack

ASSEMBLY BRACKET

For BK51 R 14PP

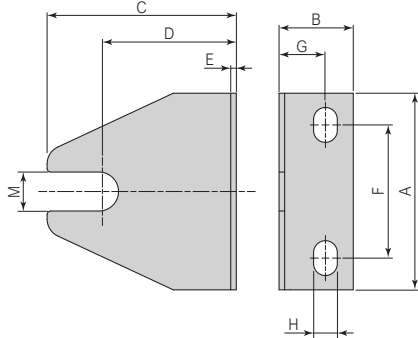


Size	Code	A	B	C	D	E	F	G	H	M
1		50	27	63.5	43.5	3	38	14.5	2.7	30.5

BK... SM ... / Galvanised steel bracket - 1 piece per pack

ASSEMBLY BRACKET

For BK51 PR 14P ...

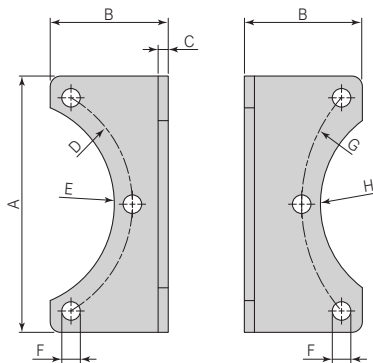


Size	Code	A	B	C	D	E	F	G	H	M
1		53	20	51	37	1.5	36	12.5	6.4	10.5

BK... SM ... / Galvanised steel bracket - 1 piece per pack

ASSEMBLY BRACKET

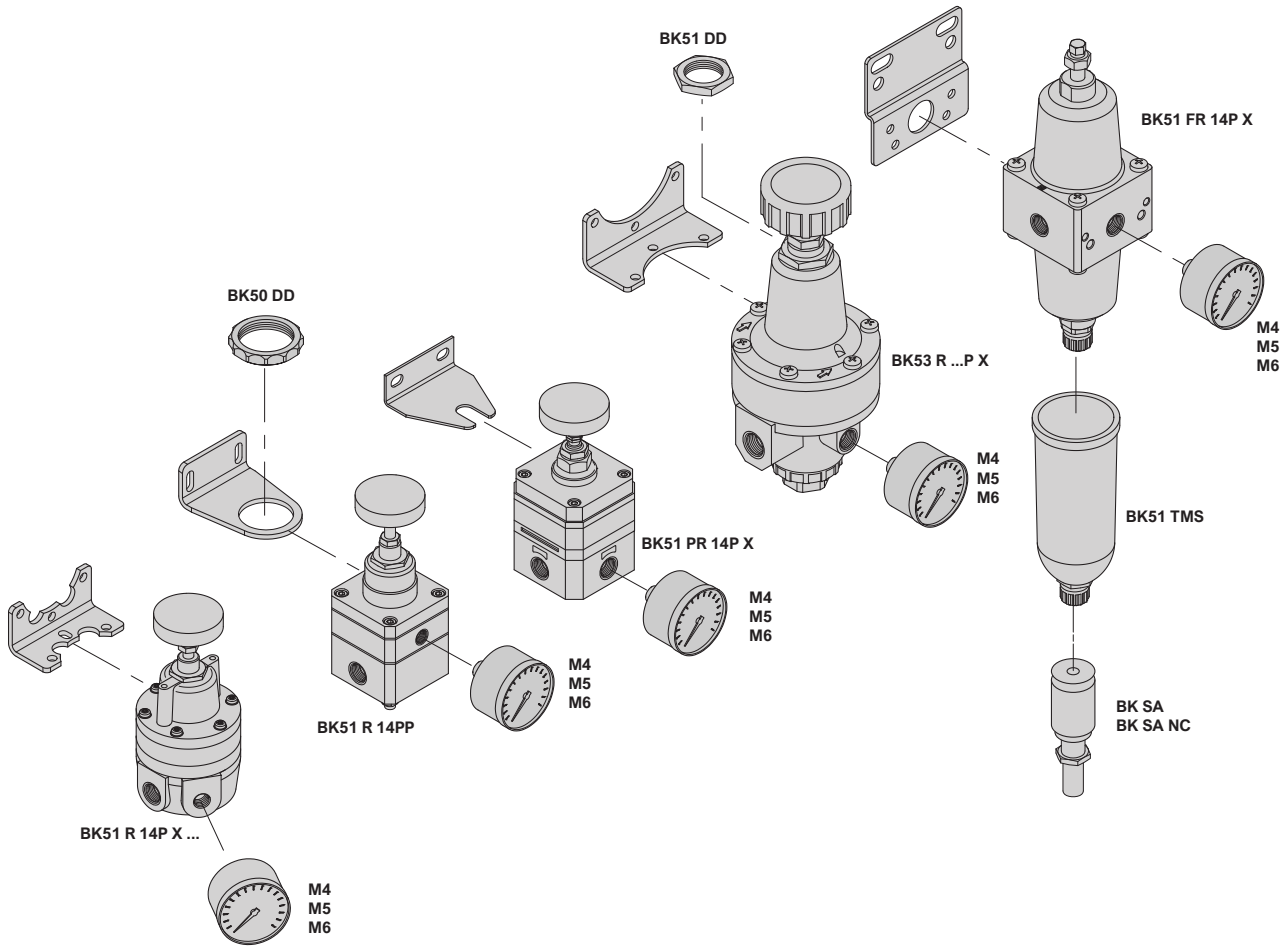
For BK53 R ...



Size	Code	A	B	C	D	E	F	G	H
1		76	35	3	36.5	31	5.5	34	29.5

BK... SM ... / Galvanised steel bracket - 1 piece per pack

BK5 SERIES ACCESSORIES



FASTENING BRACKET					FASTENING RING NUT					
For BK51 R 14P ...	For BK51 R 14PP	For BK51 PR 14P ...	For BK53 R ...	For BK51 FR 14P ...	For BK51 R 14PP	For BK53 R ...				
Page 4.3.05.20	Page 4.3.05.20	Page 4.3.05.20	Page 4.3.05.20	Page 4.3.05.21	-	-				
Galvanised steel					BK50 DD	BK51 DD				
					Black technopolymer	Galvanised steel				
METAL BOWL	AUTOMATIC CONDENSATE DRAIN		PRESSURE GAUGE			SPRING				
For BK51 FR 14P ...	Normally open	Normally closed	Dial Ø40	Dial Ø50	Dial Ø63	Size 1		Size 3		
Page 4.3.05.21	Page 4.3.05.21		Page 4.3.05.21			-		-		
BK51 TMS	BK SA	BK SA NC	M4	M5	M6	BK51 ML 03	0.5 ÷ 3 bar	BK53 ML 03	0.5 ÷ 3 bar	
						BK51 ML 06	0.5 ÷ 6 bar	BK53 ML 06	0.5 ÷ 6 bar	
						BK51 ML 16	0.5 ÷ 16 bar	BK53 ML 16	0.5 ÷ 16 bar	
Metal and technopolymer body NBR gaskets		Components in PA66 and brass NBR gaskets		Plastic dial Brass threaded connection			Harmonic steel			