

**ACCESSORIES**

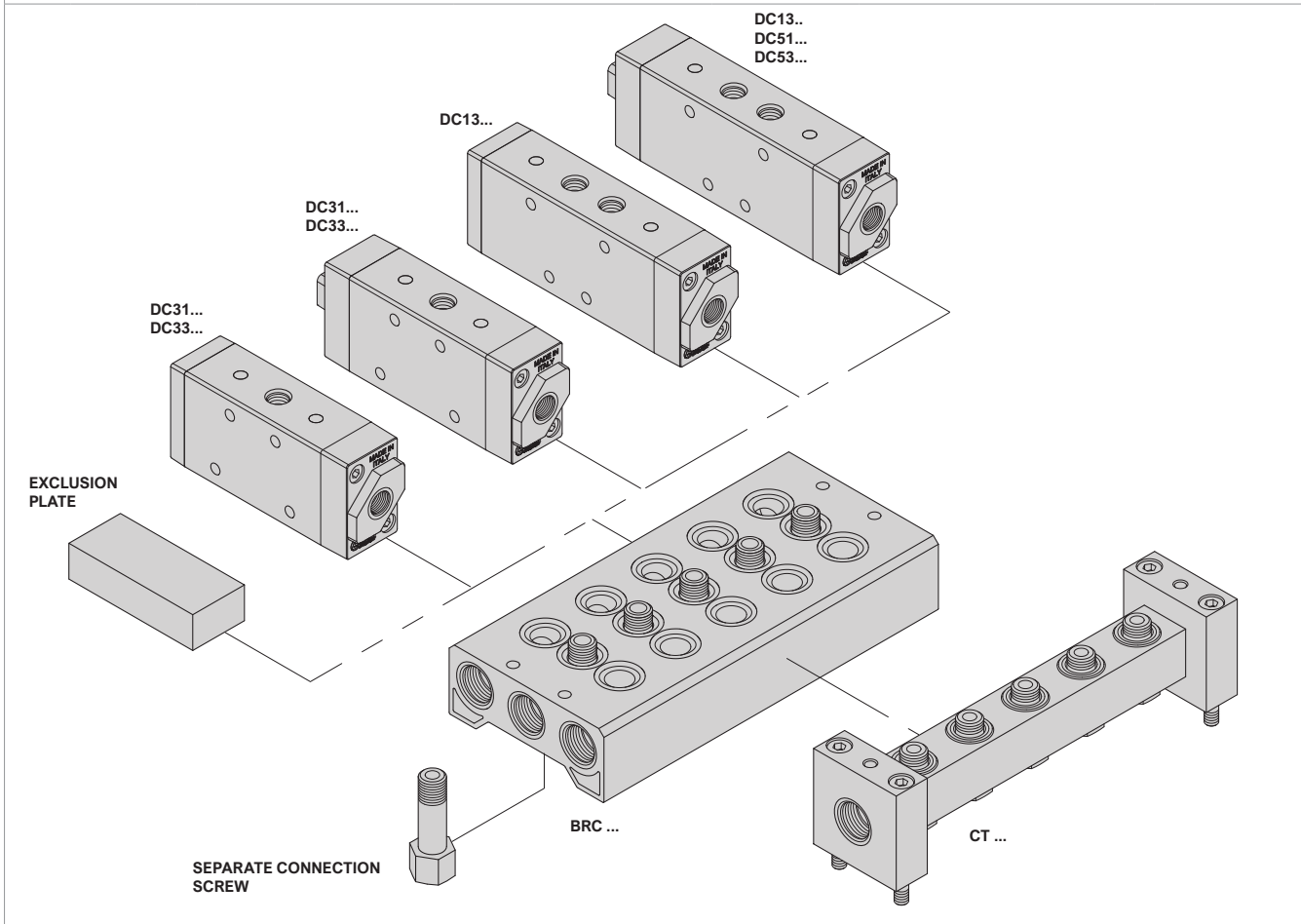
BCR .. Sub-base	Size	Connections								
		L								
		2 seats	3 seats	4 seats	5 seats	6 seats	7 seats	8 seats	9 seats	
	<b>A</b>	Gas 1/8"	81	108	135	162	189	216	243	270
		Gas 1/4"								
	<b>B</b>	Gas 1/4"	86.5	119	151.5	184	216.5	249	281.5	314
Anodised aluminium sub-base - Nickel-plated brass connection screw - NBR gaskets / 1 piece per pack										

CT .. In-line collector	Size	Connections					
		L					
		2 seats	3 seats	4 seats	5 seats	6 seats	
	<b>A</b>	Gas 1/8"	86	113	140	167	194
		Gas 1/4"					
	<b>B</b>	Gas 1/4"	97	130	163	196	229
		Gas 3/8"					
Anodised aluminium sub-base - Nickel-plated brass connection screw - NBR gaskets / 1 piece per pack							

CONNECTING SCREWS For separate power supply on BCR sub-bases...	Size	Connections	Code	A		B	
	<b>A</b>	Gas 1/8"	10243	Gas 1/8"		Gas 1/8"	
		Gas 1/4"	10481	Gas 1/4"		Gas 1/4"	
	<b>B</b>	Gas 1/4"	10249	Gas 1/4"		Gas 1/4"	
		Gas 3/8"	10482	Gas 3/8"		Gas 3/8"	
Nickel-plated brass connecting screw - 1 piece per pack							

EXCLUSION PLATE For BCR sub-bases ..	Size	Connections	Code	A		B		C		
	<b>A</b>	Gas 1/8"	10240	Gas 1/8"	60		25			
		Gas 1/4"								
	<b>B</b>	Gas 1/4"	10246	Gas 1/4"	70		30			
		Gas 3/8"								
Anodised aluminium plate / 1 piece per pack										

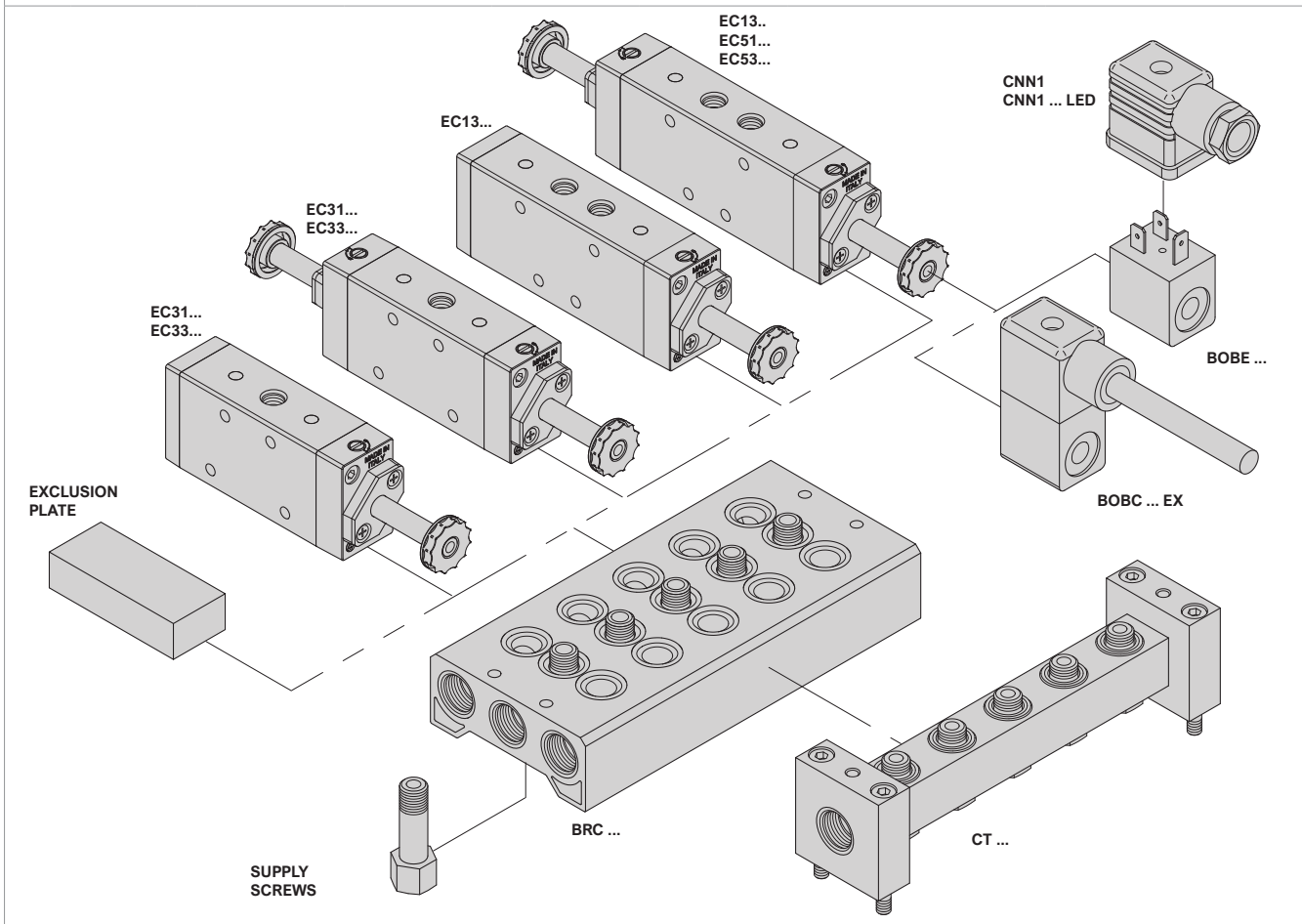
**ACCESSORIES**



		CONNECTING SCREWS separate power supply For BRC sub-base...	EXCLUSION PLATE For BRC sub-base...	
<b>Size</b>	<b>Connections</b>	Page 3.3.05.8	Page 3.3.05.8	
<b>A</b>	Gas 1/8"	10243	10240	
	Gas 1/4"	10481		
<b>B</b>	Gas 1/4"	10249	10246	
	Gas 3/8"	10482		
<b>C</b>	Gas 1/2"	X	X	
		Nickel-plated brass	Anodised aluminium	

		BCR .. Sub-bases									CT ... Line collectors				
		Page 3.3.05.8									Page 3.3.05.8				
<b>Size</b>	<b>Connections</b>	2 seats	3 seats	4 seats	5 seats	6 seats	7 seats	8 seats	9 seats	2 seats	3 seats	4 seats	5 seats	6 seats	
<b>A</b>	Gas 1/8"	BCR 82	BCR 83	BCR 84	BCR 85	BCR 86	BCR 87	BCR 88	BCR 89	CT 602	CT 603	CT 604	CT 605	CT 606	
	Gas 1/4"	BCR 12	BCR 13	BCR 14	BCR 15	BCR 16	BCR 17	BCR 18	BCR 19	CT 612A	CT 613A	CT 614A	CT 615A	CT 616A	
<b>B</b>	Gas 1/4"	BCR 42	BCR 43	BCR 44	BCR 45	BCR 46	BCR 47	BCR 48	BCR 49	CT 612B	CT 613B	CT 614B	CT 615B	CT 616B	
	Gas 3/8"	X	X	X	X	X	X	X	X	CT 622	CT 623	CT 624	CT 625	CT 626	
<b>C</b>	Gas 1/2"	X	X	X	X	X	X	X	X	X	X	X	X	X	
		Anodised aluminium sub-base Nickel-plated brass connection screw NBR gaskets									Anodised aluminium collector Nickel-plated brass connection screw NBR gaskets				

**ACCESSORIES**



	<b>BOBE ...</b> "E" type coils AC / DC	<b>BOBC ... EX</b> ATEX coils AC / DC	<b>CNN1 ...</b> Connectors for "E" type coils	<b>CNN1 ... LED</b> Connectors for "E" type coils	<b>CONNECTING SCREWS</b> separate power supply For BRC sub-base...	<b>EXCLUSION PLATE</b> For BRC sub-base...
<b>Size</b>	Page 3.3.05.18	Page 3.3.05.19	Page 3.3.05.18	Page 3.3.05.16	Page 3.3.05.8	Page 3.3.05.8
<b>A</b>	Gas 1/8" ✓	✓	✓	✓	10243	10240
	Gas 1/4" ✓	✓	✓	✓	10481	
<b>B</b>	Gas 1/4" ✓	✓	✓	✓	10249	10246
	Gas 3/8" ✓	✓	✓	✓	10482	
<b>C</b>	Gas 1/2" ✓	✓	✓	✓	X	X
	Coating in NYLON + GLASS FIBRES	Coating in Self-extinguishing PA + GLASS FIBRES	PA6 GF	PA6 GF - PA12	Nickel-plated brass	Anodised aluminium

		<b>BCR ..</b> Sub-bases									<b>CT ...</b> Line collectors					
		Page 3.3.05.20									Page 3.3.05.20					
<b>Size</b>	<b>Connections</b>	2 seats	3 seats	4 seats	5 seats	6 seats	7 seats	8 seats	9 seats	2 seats	3 seats	4 seats	5 seats	6 seats		
<b>A</b>	Gas 1/8"	BCR 82	BCR 83	BCR 84	BCR 85	BCR 86	BCR 87	BCR 88	BCR 89	CT 602	CT 603	CT 604	CT 605	CT 606		
	Gas 1/4"	BCR 12	BCR 13	BCR 14	BCR 15	BCR 16	BCR 17	BCR 18	BCR 19	CT 612A	CT 613A	CT 614A	CT 615A	CT 616A		
<b>B</b>	Gas 1/4"	BCR 42	BCR 43	BCR 44	BCR 45	BCR 46	BCR 47	BCR 48	BCR 49	CT 612B	CT 613B	CT 614B	CT 615B	CT 616B		
	Gas 3/8"	X	X	X	X	X	X	X	X	CT 622	CT 623	CT 624	CT 625	CT 626		
<b>C</b>	Gas 1/2"	X	X	X	X	X	X	X	X	X	X	X	X	X		
		Anodised aluminium sub-base Nickel-plated brass connection screw NBR gaskets									Anodised aluminium collector Nickel-plated brass connection screw NBR gaskets					