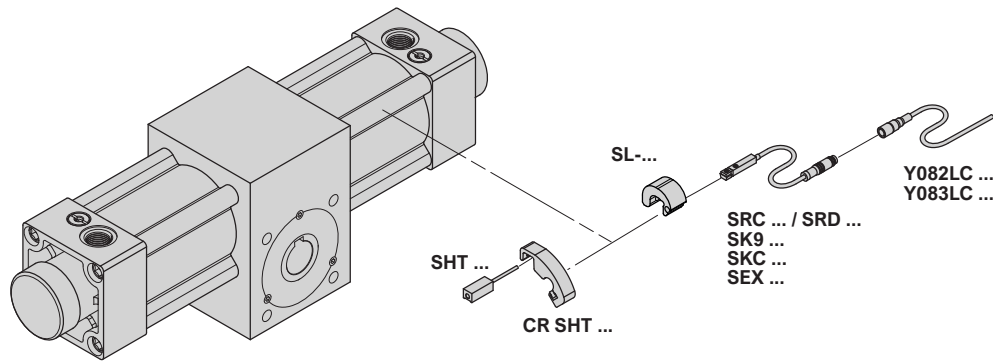
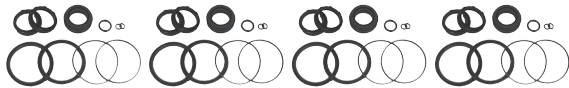


ACCESSORI

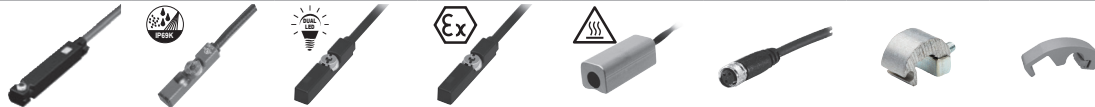


CRM SG ...	CRR SG ...	CRM SGV ...	CRR SGV ...
Standard seals kit	Standard seals kit	High temperature seals kit	Seals kit, rod in FKM other as standard



Ø	CRM SG ...	CRR SG ...	CRM SGV ...	CRR SGV ...
32	CRM SG 32	CRR SG 32	CRM SGV 32	CRR SGV 32
40	CRM SG 40	CRR SG 40	CRM SGV 40	CRR SGV 40
50	CRM SG 50	CRR SG 50	CRM SGV 50	CRR SGV 50
63	CRM SG 63	CRR SG 63	CRM SGV 63	CRR SGV 63
80	CRM SG 80	CRR SG 80	CRM SGV 80	CRR SGV 80
100	CRM SG 100	CRR SG 100	CRM SGV 100	CRR SGV 100
125	CRM SG 125	CRR SG 125	CRM SGV 125	CRR SGV 125
	Seals in NBR / PU	Seals in NBR / PU	Seals in FKM	Seals in FKM

SR ...	SK9 ...	SKC ...	SEX ...	SHT ...	Y082LC/Y083LC	SL-... / ST- ...	CR SHT ...
NC sensors REED / HALL	IP69K sensor PNP	Precise position sensor PNP	ATEX II3G sensor PNP	High temperature sensor REED	Straight connectors	Bracket for sensor	Bracket for sensor SHT



Ø	Page 1.3.15.14	Page 1.3.15.15	Page 1.3.15.15	Page 1.3.15.15	Page 1.3.15.16	Page 1.3.15.16	Page 1.4.05.15	Page 1.4.05.15
32							SL-80	CR SHT 32
40							SL-80	CR SHT 40
50							SL-81	CR SHT 50
63							SL-81	CR SHT 63
80							SL-82	CR SHT 80
100							SL-82	CR SHT 100
125							SL-83	CR SHT 125
	Sensor: PA6 Cable: PUR	Sensor: PA12 Cable: PUR	Sensor: PA Cable: PUR	Sensor: PA Cable: PVC	Sensor: Aluminium Cable: PTFE	Connector: PVC Contacts: Gilded brass Cable: PVC	Bracket, screw and plate: steel	Bracket: Anodised aluminium Screw and plate: steel