

Flow regulators

Connection: 1/8", 1/4", 1/2"

FLOW REGULATORS



Version with standard or precision adjustment

One-way or two-way regulation

 Anodised aluminium body
Other metal components

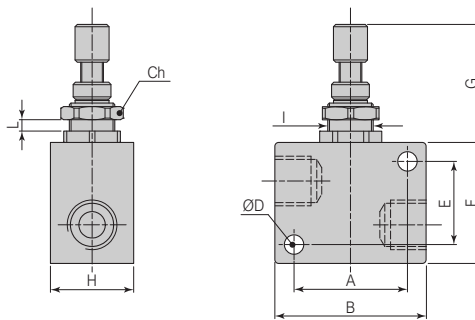
Panel, wall or in-line assembly

TECHNICAL FEATURES

Operation	Standard or fine needle adjustment - One-way or two-way control		
Regulation	Manual with knob and locking ring nut		
Materials	Anodised aluminium alloy body - Nickel-plated brass adjustment unit - NBR gaskets		
Note on materials	Compliant with REACH (1907/2006/EC and subsequent amendments)		
Connections	Size A: 1/8" Gas Size B: 1/4" Gas Size C: 1/2" Gas		
Threads	Cylindrical Gas (BSPP)		
Operating temperature	0°C ÷ 80°C (-20°C with dry air, to avoid ice formation)		
Operating pressure	0 ÷ 10 bar		
Air flow rate			
Connection	Size A - 1/8"	Size B - 1/4"	Size C - 1/2"
Nominal diameter	3.5 mm	7 mm	11 mm
Supply pressure	5 bar	214 NI/min	342 NI/min
(with ΔP 1 bar)	6 bar	250 NI/min	406 NI/min
	7 bar	285 NI/min	457 NI/min
Fluid	Filtered air, lubrication-free, compliant with ISO 8573-1:2010 [7:4:4]		
Lubrication	Not required (if required in the pneumatic circuit, it must be continuous)		

FLOW REGULATORS

MANUAL ADJUSTMENT



	Symbol	Regulation	Size	Connections	Code	A	B	Ch	OED	E	F	G	H	I	L max.
One-way		Precise	A	Gas 1/8"	901	23	32	15	4.5	12	22	35	17	M12x0.75	5
			B	Gas 1/4"	902	30	40	15	4.5	22	32	35	22	M12x0.75	5
			C	Gas 1/2"	904	43	56	24	6.5	27	42	43	27	M18x1	7
		Standard	A	Gas 1/4"	901.3	23	32	15	4.5	13	22	35	17	M12x0.75	5
			B	Gas 1/2"	902.3	30	40	15	4.5	22	32	35	22	M12x0.75	5
Two-way		Precise	A	Gas 1/8"	911	23	32	15	4.5	13	22	35	17	M12x0.75	5
			B	Gas 1/4"	912	30	40	15	4.5	22	32	35	22	M12x0.75	5
			C	Gas 1/2"	914	43	56	24	6.5	27	42	43	27	M18x1	7
		Standard	A	Gas 1/4"	911.3	23	32	15	4.5	13	22	35	17	M12x0.75	5
					B	Gas 1/2"	912.3	30	40	15	4.5	22	32	35	22

3.6.05.22