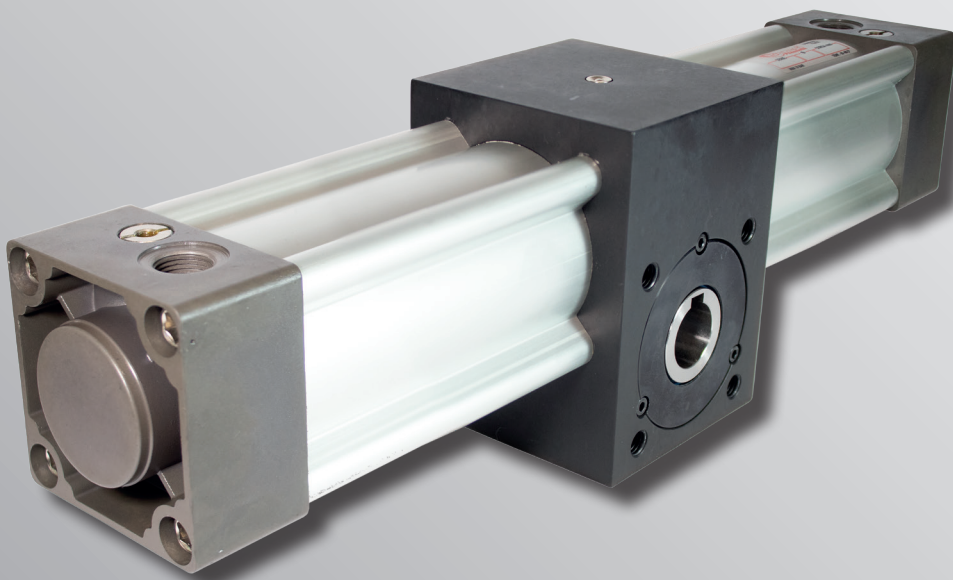


CR Series

Rotary cylinder



ISO 9001
BUREAU VERITAS
Certification



N° IT275286

Bonesi
Pneumatik



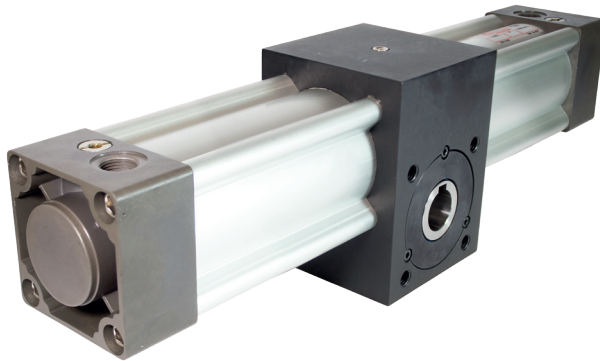
Rotary cylinders - Series CR

Bores Ø : 32 - 40 - 50 - 63 - 80 - 100 - 125 mm.

1

PNEUMATIC ACTUATORS

SERIE CR



Rotary Cylinder for heavy duty application

Central body in light anodized alloy with self-lubricant slide bronze

Caps in die-cast aluminium anodized

Pinion / rack group in steel grade C45

Profiled tube in anodized aluminium, internally gauged

Rotary group, with lubricating device, operating on ball bearings

Adjustable end of stroke pneumatic cushions

Complete piston in NBR vulcanized

Sensors and mounting accessories

TECHNICAL FEATURES

Construction	Caps fixed on profiled tube by bolts
Function	Double acting
Standard materials	Caps in die-cast aluminium anodized, central body in aluminium anodized. Pinion / rack group in steel grade C45. Profiled tube in anodized aluminium internally gauged, complete piston/aluminium piston. Seals in NBR - PU
Note about the materials	According to Directive REACH (1907/2006/CE and s.a.s.)
Bores	Ø 32, 40, 50, 63, 80, 100, 125 mm
Rotary angle	90°, 180°, 360° (±3°)
Working temperature	0 ÷ 80°C (standard seals, -20°C with dry air, in order to avoid formation of ice) 0 ÷ 150°C (option in FKM, -20°C with dry air, in order to avoid formation of ice)
Working pressure	0,5 ÷ 10 bar
Fluid	Filtered air without lubrication , according to ISO 8573-1:2010 [7:4:4]

CERTIFICAZIONE ATEX

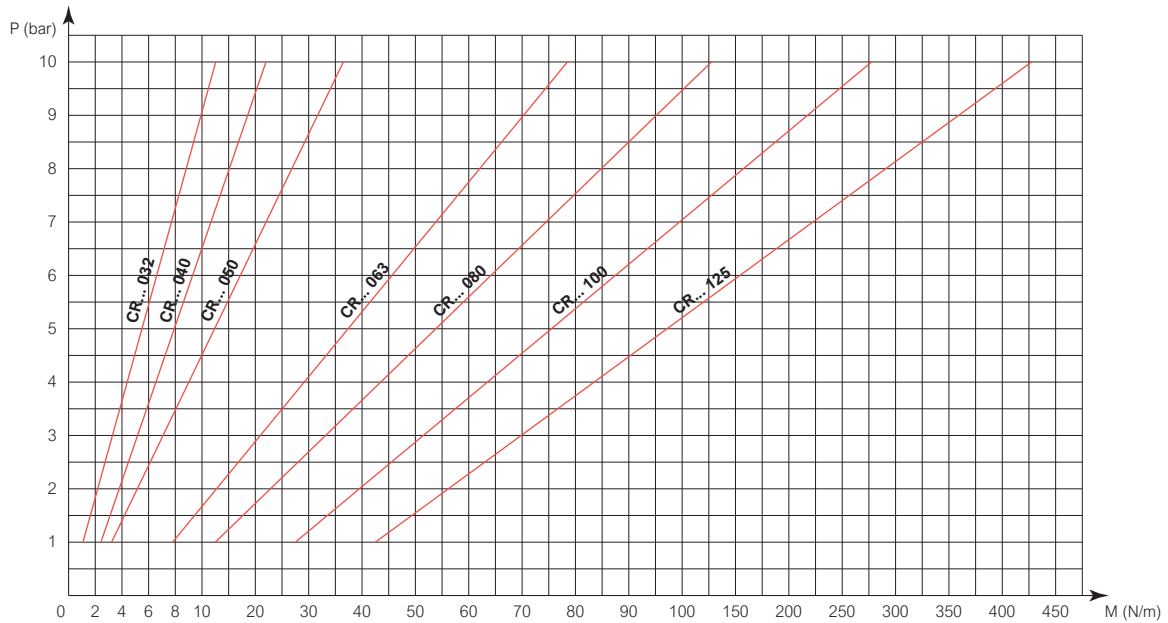
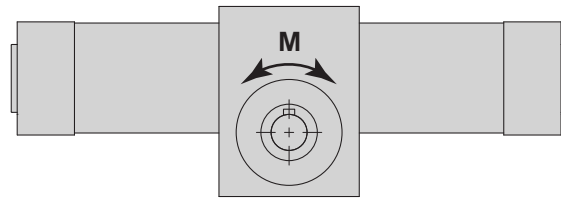
Cylinder marking	CE Ex II 2G Ex h IIC T6 Gb (Zona 1 e Zona 2) CE Ex II 2D Ex h IIIC 85°C Db (Zona 21 e Zona 22)
Operating pressure in ATEX environment	0,5 ÷ 10 bar
Temperature in ATEX environment	-20°C ≤ Ta ≤ +60°C
CE marking	According to Directive 2014/34/EU (see declaration of conformity)

TECHNICAL FEATURES

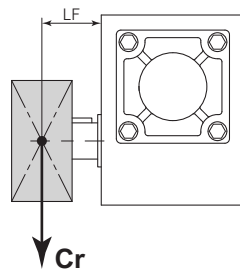
Bore Ø (mm)	32	40	50	63	80	100	125
Ports (gas)	1/8"	1/4"	1/4"	3/8"	3/8"	1/2"	1/2"
Pignon hole Ø (female)	10	15	15	24	24	35	35
Pignon pin Ø (male)	12	16	16	24	24	35	35
Theoretical torque moment at 6 bar (Nm)	6,7	14,1	21,9	46,9	75,7	164,4	256,8
Air consumption at 6 bar (Nl/cm)							
90°	0,038	0,079	0,132	0,276	0,446	0,962	1,336
180°	0,076	0,165	0,256	0,584	0,844	1,937	2,920
360°	0,161	0,333	0,521	1,140	1,829	3,944	5,802
Rotary angle (α)	90° - 180° - 360°						
Angle of rotation adjustment (β)	19°	20°	20°	17°	17°	17°	17°
Cushioning angle (γ)	50°	50°	50°	50°	50°	50°	40°

ALLOWABLE LOADS
THEORETICAL TORQUE MOMENT

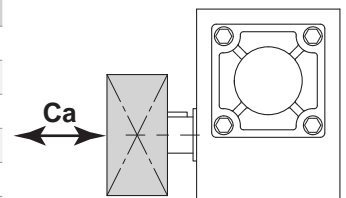
Bore mm	Torque moment N/m (1 bar)
32	1,12
40	2,34
50	3,65
63	7,68
80	12,62
100	27,40
125	42,80


THEORETICAL RADIAL LOAD

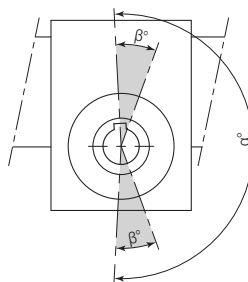
Bore mm	Cr N	LF mm
32	2100	11
40	3900	15
50	3900	15
63	6800	23,5
80	6800	23,5
100	14000	28
125	14000	28


THEORETICAL AXIAL LOAD

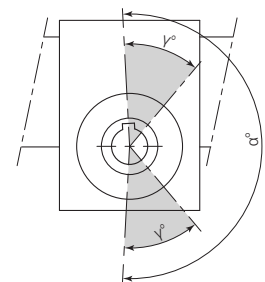
Bore mm	Ca N
32	1500
40	2850
50	2850
63	5000
80	5000
100	10000
125	10000


ADJUSTMENT AND DECELERATION ANGLES
ADJUSTMENT ANGLE

Bore mm	β °
32	19
40	20
50	20
63	17
80	17
100	17
125	17


DECELERATION ANGLE

Bore mm	γ °
32	50
40	50
50	50
63	50
80	50
100	40
125	40

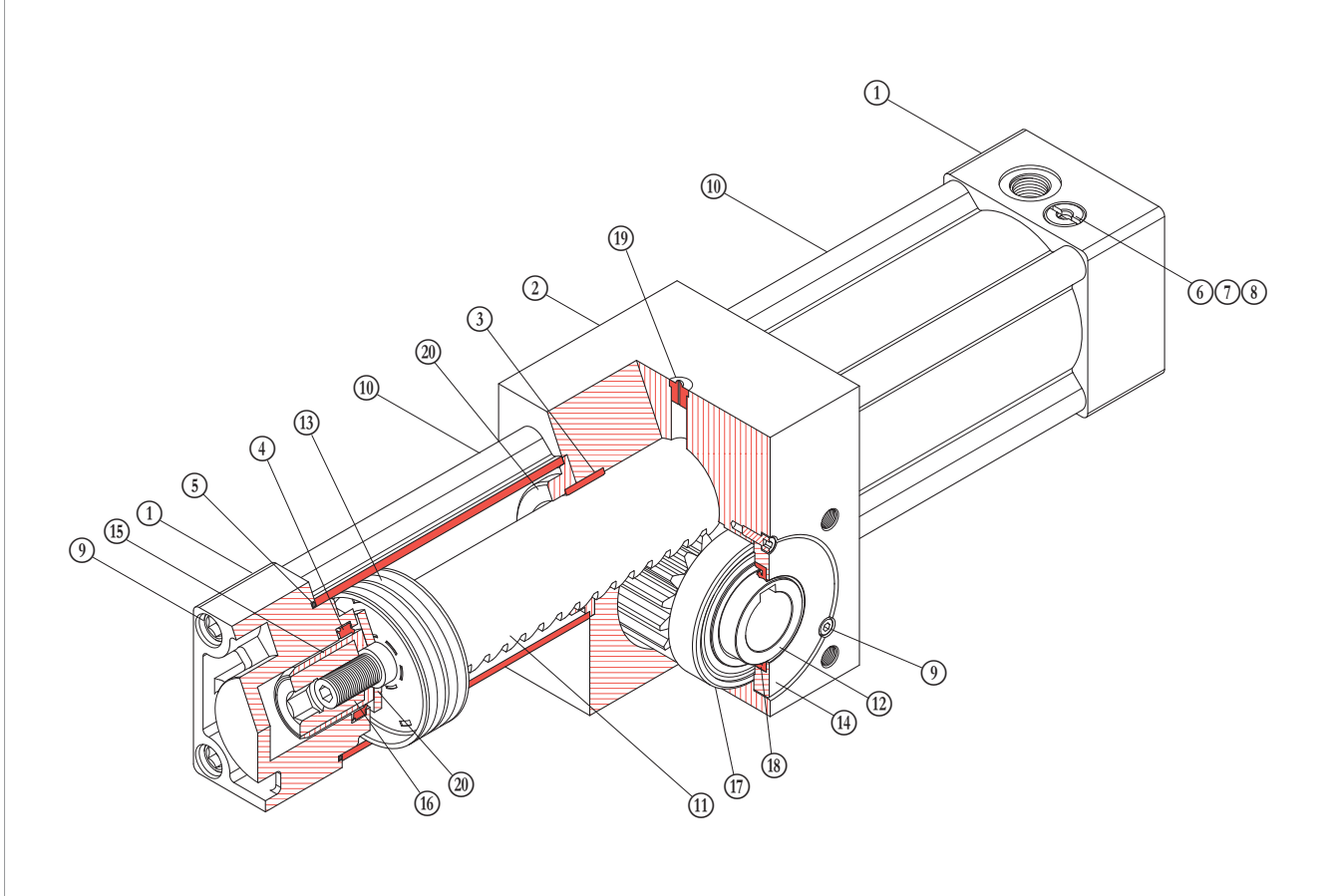


ORDERING CODE

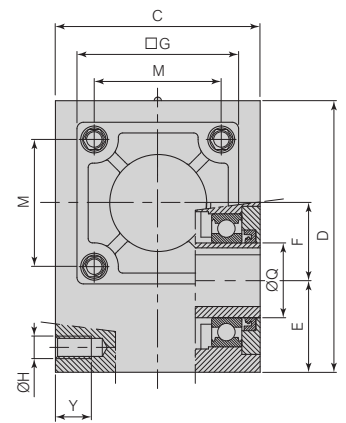
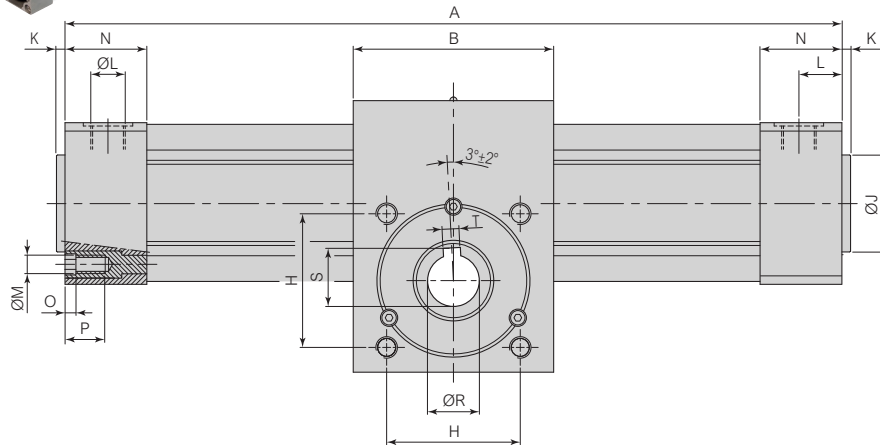
Series	Magnetic ring	Bore	Rotation	Pignon	Left head cap adjustment	Right head cap adjustment	Seals	According to directive 2014/34/EU - ATEX
CR	R	032	096	F	<input type="checkbox"/>	<input type="checkbox"/>	<input type="checkbox"/>	<input type="checkbox"/>
M = With magnetic ring R = Without magnetic ring		032 = Ø 32 mm 040 = Ø 40 mm 050 = Ø 50 mm 063 = Ø 63 mm 080 = Ø 80 mm 100 = Ø 100 mm 125 = Ø 125 mm	096 = 90° 186 = 180° 366 = 360°	F = Female M = Male	R = With regulator = Without regulator	R = With regulator = Without regulator	FKM = FKM = NBR	EX = According to 2014/34/EU = Without certifications
CR = Double acting, not magnetic, dend of stroke adjustable cushioning.								

STANDARD MATERIALS

POS	DESCRIPTION	MATERIAL	POS	DESCRIPTION	MATERIAL
①	Caps	Die-cast aluminium anodized	⑪	Rank	Steel C45
②	Central body	Aluminium anodized	⑫	Pignon	Steel C45
③	Guide bushing	Steel + PTFE	⑬	Piston	Nitril rubber (NBR) / Aluminium
④	Cushion seal	Nitril rubber (NBR/PU)	⑭	Dust ring	Aluminium anodized
⑤	Cap seal	Nitril rubber (NBR)	⑮	Cushioning shank	Acetal resin
⑥	Cushion screw	Nickel-plated brass	⑯	Piston nut - rank	Aluminium
⑦	Retaining ring	Nickel-plated brass	⑰	Deep groove bearings	Acciaio
⑧	Cushion screw seal	Nitril rubber (NBR)	⑱	Pignon seal	Nitril rubber (NBR/PU)
⑨	Bolt for fixing cap	Zinc-plated steel	⑲	Lubricating device	Steel
⑩	Profiled tube	Extruded aluminum EN AW-6060 T6	⑳	Distanziale	Aluminium

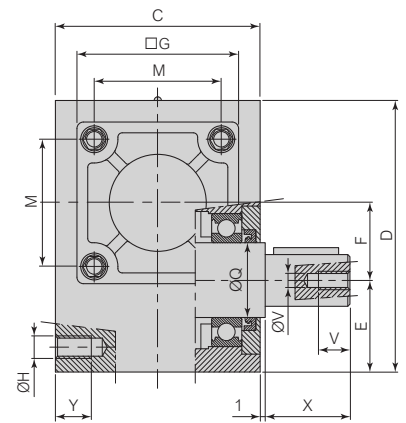
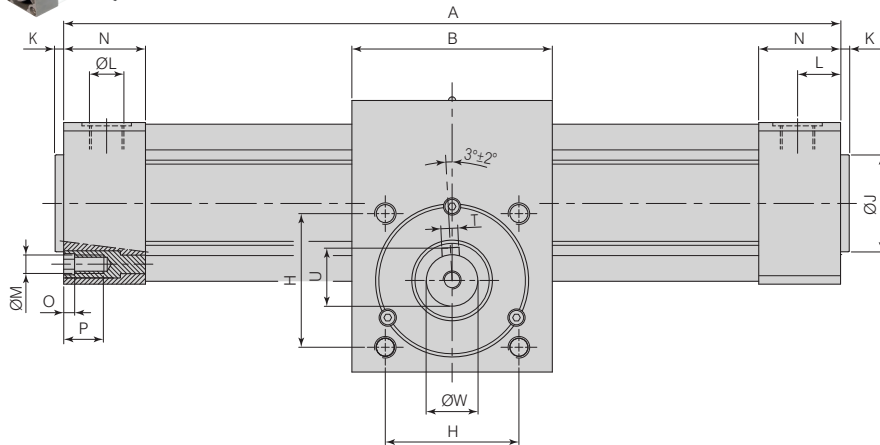


CRM...FNN / CRR...FNN



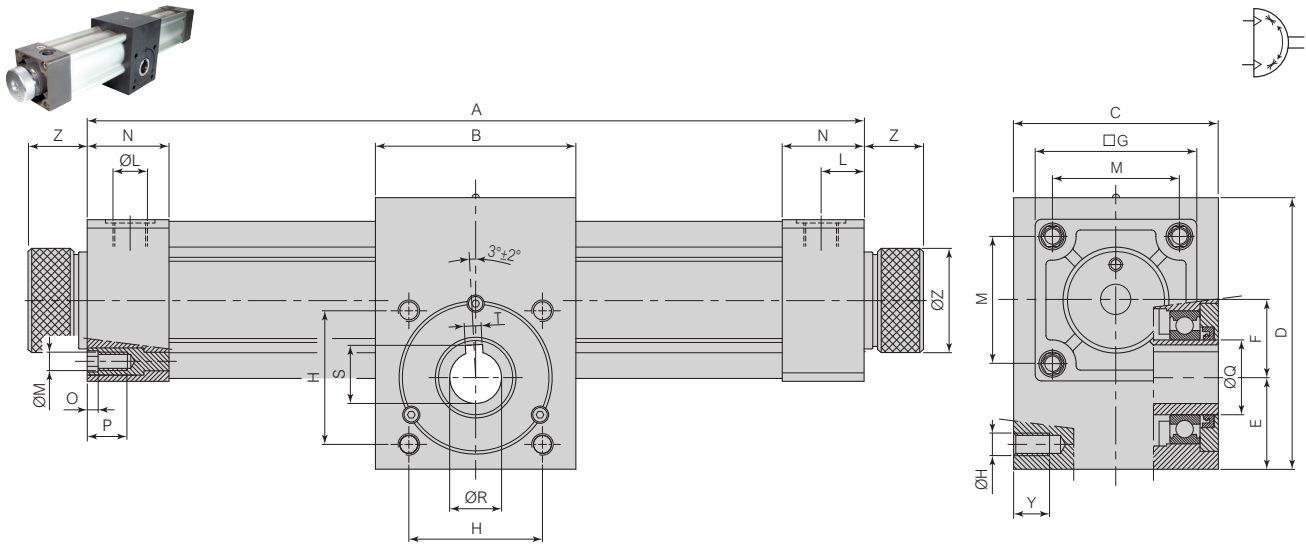
Bore mm	Ø A ±1			B	C	D	E	F	□ G	Ø H	H	J	K	Ø L	L	Ø M	M	N	O	P	Ø Q	R	S	T
	96°	186°	366°																					
32	209	256	350	50	50	70	24	22	45	M6	35	25	3	Gas 1/8"	10	M6	33	26	2,5	10	17	10	11,7	4
40	281	344	470	72	65	92,5	32,5	27,5	52	M8	47	32	3	Gas 1/4"	14	M6	40	36	4	14	25	15	17,2	5
50	278	341	467	72	65	92,5	32,5	27,5	65	M8	47	32	3	Gas 1/4"	20	M8	49	36	5,5	20	25	15	17,2	5
63	346	431	600	93	95	126	42,5	36	75	M10	62	45	4	Gas 3/8"	20	M8	59	40	5,5	20	35	24	27,2	8
80	346	431	600	93	95	126	42,5	36	95	M10	62	45	5	Gas 3/8"	20	M10	75	40	6	20	35	24	27,2	8
100	441	559	794	128	140	186,5	64	52,5	115	M14	90	55	5	Gas 1/2"	20	M10	90	45	6	20	55	35	38,7	10
125	445	563	798	128	140	186,5	64	52,5	140	M14	90	55	5	Gas 1/2"	25	M12	110	45	7	25	55	35	38,7	10

CRM...MNN / CRR...MNN



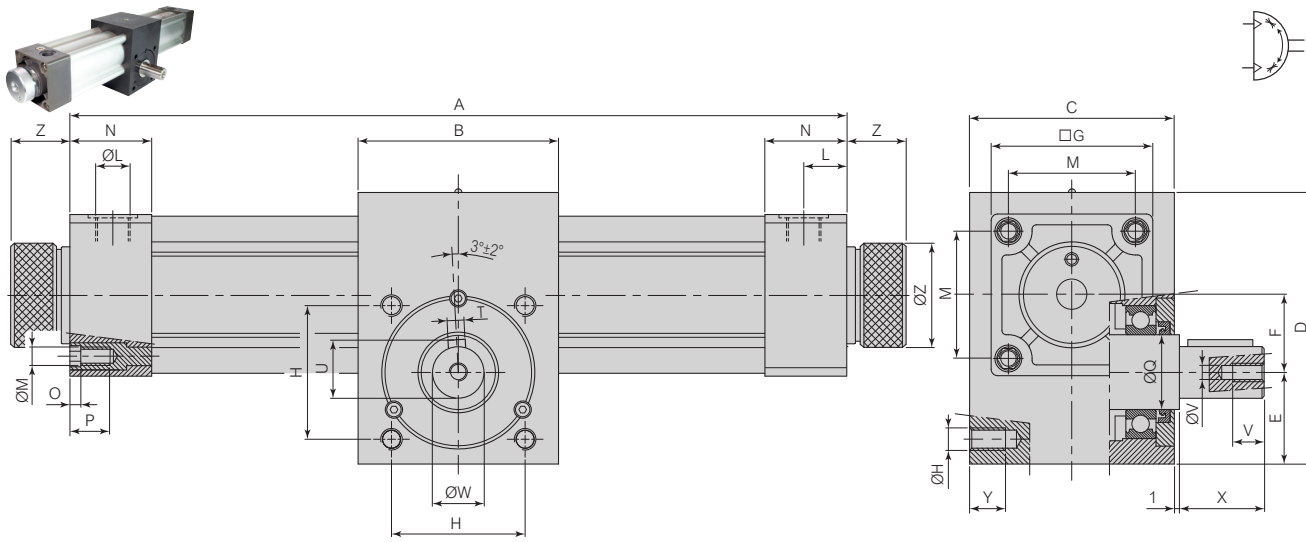
Bore mm	Ø A ±1			B	C	D	E	F	□ G	Ø H	H	J	K	Ø L	L	Ø M	M	N	O	P	Ø Q	T	U	Ø V	V	X
	96°	186°	366°																							
32	209	256	350	50	50	70	24	22	45	M6	35	25	3	Gas 1/8"	10	M6	33	26	2,5	10	17	4	13,5	M4	15	20
40	281	344	470	72	65	92,5	32,5	27,5	52	M8	47	32	3	Gas 1/4"	14	M6	40	36	4	14	25	5	18	M5	15	30
50	278	341	467	72	65	92,5	32,5	27,5	65	M8	47	32	3	Gas 1/4"	20	M8	49	36	5,5	20	25	5	18	M5	15	30
63	346	431	600	93	95	126	42,5	36	75	M10	62	45	4	Gas 3/8"	20	M8	59	40	5,5	20	35	8	27	M8	20	40
80	346	431	600	93	95	126	42,5	36	95	M10	62	45	5	Gas 3/8"	20	M10	75	40	6	20	35	8	27	M8	20	40
100	441	559	794	128	140	186,5	64	52,5	115	M14	90	55	5	Gas 1/2"	20	M10	90	45	6	20	55	10	38,5	M12	20	50
125	445	563	798	128	140	186,5	64	52,5	140	M14	90	55	5	Gas 1/2"	25	M12	110	45	7	25	55	10	38,5	M12	20	50

CRM...FRR / CRR...FRR



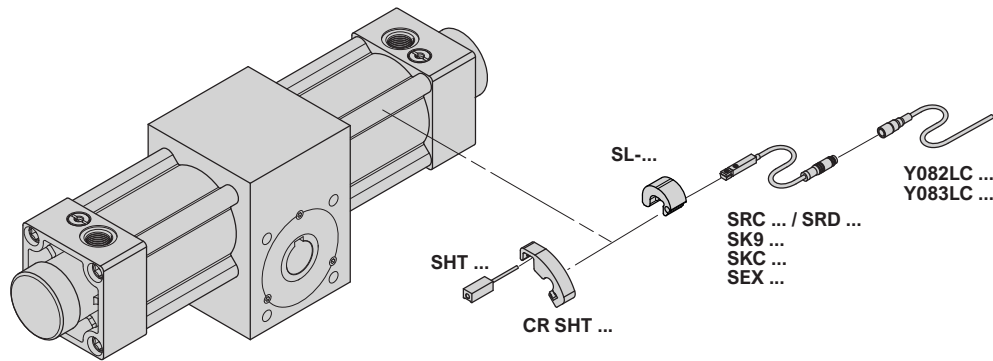
Bore mm	Ø A ±1			B	C	D	E	F	□ G	ØH	H	J	K	ØL	L	ØM	M	N	O	P	ØQ	R	S	T	Y	Z
	96°	186°	366°																							
32	209	256	350	50	50	70	24	22	45	M6	35	25	3	Gas 1/8"	10	M6	33	26	2,5	10	17	10	11,7	4	28	20
40	281	344	470	72	65	92,5	32,5	27,5	52	M8	47	32	3	Gas 1/4"	14	M6	40	36	4	14	25	15	17,2	5	35	23
50	278	341	467	72	65	92,5	32,5	27,5	65	M8	47	32	3	Gas 1/4"	20	M8	49	36	5,5	20	25	15	17,2	5	34	23
63	346	431	600	93	95	126	42,5	36	75	M10	62	45	4	Gas 3/8"	20	M8	59	40	5,5	20	35	24	27,2	8	48,5	27
80	346	431	600	93	95	126	42,5	36	95	M10	62	45	5	Gas 3/8"	20	M10	75	40	6	20	35	24	27,2	8	48,5	27
100	441	559	794	128	140	186,5	64	52,5	115	M14	90	55	5	Gas 1/2"	20	M10	90	45	6	20	55	35	38,7	10	60	39
125	445	563	798	128	140	186,5	64	52,5	140	M14	90	55	5	Gas 1/2"	25	M12	110	45	7	25	55	35	38,7	10	60	39

CRM...MRR / CRR...MRR



Bore mm	Ø A ±1			B	C	D	E	F	□ G	ØH	H	J	K	ØL	L	ØM	M	N	O	P	ØQ	T	U	ØV	V	X	Y	Z
	96°	186°	366°																									
32	209	256	350	50	50	70	24	22	45	M6	35	25	3	Gas 1/8"	10	M6	33	26	2,5	10	17	4	13,5	M4	15	20	28	20
40	281	344	470	72	65	92,5	32,5	27,5	52	M8	47	32	3	Gas 1/4"	14	M6	40	36	4	14	25	5	18	M5	15	30	35	23
50	278	341	467	72	65	92,5	32,5	27,5	65	M8	47	32	3	Gas 1/4"	20	M8	49	36	5,5	20	25	5	18	M5	15	30	34	23
63	346	431	600	93	95	126	42,5	36	75	M10	62	45	4	Gas 3/8"	20	M8	59	40	5,5	20	35	8	27	M8	20	40	48,5	27
80	346	431	600	93	95	126	42,5	36	95	M10	62	45	5	Gas 3/8"	20	M10	75	40	6	20	35	8	27	M8	20	40	48,5	27
100	441	559	794	128	140	186,5	64	52,5	115	M14	90	55	5	Gas 1/2"	20	M10	90	45	6	20	55	10	38,5	M12	20	50	60	39
125	445	563	798	128	140	186,5	64	52,5	140	M14	90	55	5	Gas 1/2"	25	M12	110	45	7	25	55	10	38,5	M12	20	50	60	39

ACCESSORI

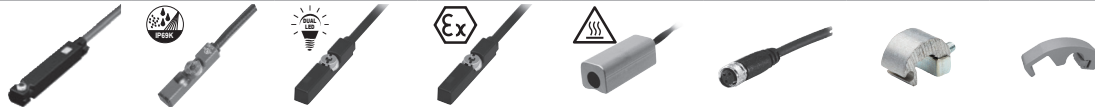


CRM SG ...	CRR SG ...	CRM SGV ...	CRR SGV ...
Standard seals kit	Standard seals kit	High temperature seals kit	Seals kit, rod in FKM other as standard



Ø	CRM SG ...	CRR SG ...	CRM SGV ...	CRR SGV ...
32	CRM SG 32	CRR SG 32	CRM SGV 32	CRR SGV 32
40	CRM SG 40	CRR SG 40	CRM SGV 40	CRR SGV 40
50	CRM SG 50	CRR SG 50	CRM SGV 50	CRR SGV 50
63	CRM SG 63	CRR SG 63	CRM SGV 63	CRR SGV 63
80	CRM SG 80	CRR SG 80	CRM SGV 80	CRR SGV 80
100	CRM SG 100	CRR SG 100	CRM SGV 100	CRR SGV 100
125	CRM SG 125	CRR SG 125	CRM SGV 125	CRR SGV 125
	Seals in NBR / PU	Seals in NBR / PU	Seals in FKM	Seals in FKM

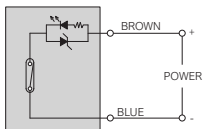
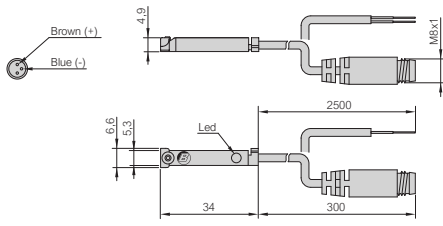
SR ...	SK9 ...	SKC ...	SEX ...	SHT ...	Y082LC/Y083LC	SL-... / ST- ...	CR SHT ...
NC sensors REED / HALL	IP69K sensor PNP	Precise position sensor PNP	ATEX II3G sensor PNP	High temperature sensor REED	Straight connectors	Bracket for sensor	Bracket for sensor SHT



Ø	Page 1.3.15.14	Page 1.3.15.15	Page 1.3.15.15	Page 1.3.15.15	Page 1.3.15.16	Page 1.3.15.16	Page 1.4.05.15	Page 1.4.05.15
32							SL-80	CR SHT 32
40							SL-80	CR SHT 40
50							SL-81	CR SHT 50
63							SL-81	CR SHT 63
80							SL-82	CR SHT 80
100							SL-82	CR SHT 100
125							SL-83	CR SHT 125
	Sensor: PA6 Cable: PUR	Sensor: PA12 Cable: PUR	Sensor: PA Cable: PUR	Sensor: PA Cable: PVC	Sensor: Aluminium Cable: PTFE	Connector: PVC Contacts: Gilded brass Cable: PVC	Bracket, screw and plate: steel	Bracket: Anodised aluminium Screw and plate: steel

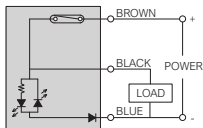
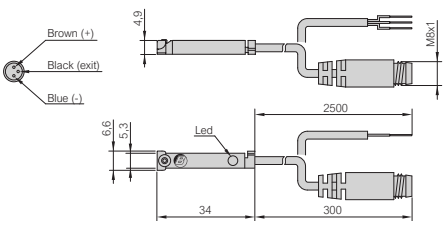
END OF STROKE SENSORS TYPE SR

SRC-61, SRC-21, SRC-27
End of stroke sensor REED - 2 poles N.O.



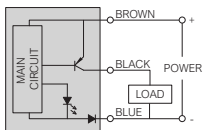
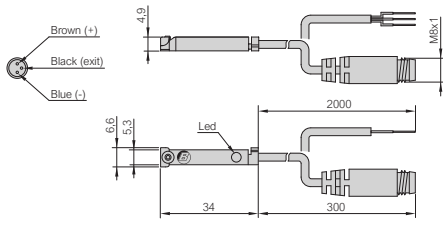
Technical features			
Code	SRC-61	SRC-21	SRC-27
Version	Cable 2 x 0,14 mm ²	Cable 2 x 0,14 mm ²	Connector M8 x 1 - 2 pin
Cable length	2500 mm	2500 mm	300 mm
Sensor	REED		
Output	Pure contact, normally open		
Operating voltage	5 ÷ 230 Vac / Vdc	5 ÷ 130 Vac / Vdc	5 ÷ 50 Vac / Vdc
Switching current (max.)	200 mA	200 mA	200 mA
Contact rating (max.)	10 W	6 W	6 W
Voltage drop (max.)	3 V	3 V	3 V
Visual indicator	LED yellow diode		
Operating frequency	1000 Hz		
Working temperature	-15 ÷ +70 °C		
Protection class (IEC 60529)	IP67		
Protection circuit	Power source reverse polarity		
Mounting	Only with bracket SL-.. / ST-.. - Torque max. 0,15 Nm		
SRC-61, SRC-21, SRC-27 / Sensor in PA6, cable in PUR - 1 piece each package			

SRD-21, SRD-27
End of stroke sensor REED - 3 poles N.O.



Technical features		
Code	SRD-21	SRD-27
Version	Cable 3 x 0,14 mm ²	Connector M8 x 1 - 3 pin
Cable length	2500 mm	300 mm
Sensor	REED	
Output	PNP, normally open	
Operating voltage	5 ÷ 30 Vac / Vdc	
Switching current (max.)	200 mA	
Contact rating (max.)	6 W	
Voltage drop (max.)	0,7 V	
Visual indicator	LED yellow diode	
Operating frequency	1000 Hz	
Working temperature	-15 ÷ +70 °C	
Protection class (IEC 60529)	IP67	
Protection circuit	Power source reverse polarity	
Mounting	Only with bracket SL-.. / ST-.. - Torque max. 0,15 Nm	
SRD-21, SRD-27 / Sensor in PA6, cable in PUR - 1 piece each package		

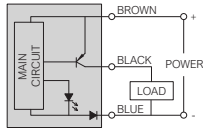
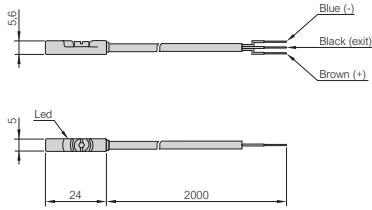
SRN-21, SRN-27
End of stroke sensor HALL PNP - 3 poles N.O.



Technical features		
Code	SRN-21	SRN-27
Version	Cable 3 x 0,14 mm ²	Connector M8 x 1 - 3 pin
Cable length	2000 mm	300 mm
Sensor	HALL	
Output	PNP, normally open	
Operating voltage	10 ÷ +30 Vdc	
Switching current (max.)	200 mA	
Contact rating (max.)	4 W	
Voltage drop (max.)	0,7 V	
Visual indicator	LED yellow diode	
Operating frequency	1000 Hz	
Working temperature	-15 ÷ +70 °C	
Protection class (IEC 60529)	IP67	
Protection circuit	Power source reverse polarity	
Mounting	Only with bracket SL-.. / ST-.. - Torque max. 0,15 Nm	
SRN-21, SRN-27 / Sensor in PA6, cable in PUR - 1 piece each package		

END OF STROKE SENSORS TYPE SK9 with enclosure classification IP69K
SK9-21

End of stroke sensor HALL PNP - 3 poles N.O.

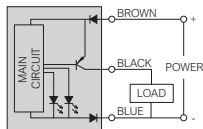
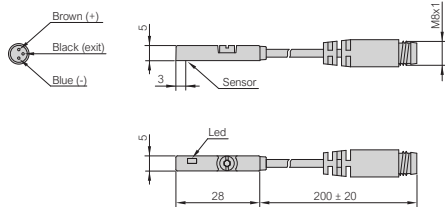

Technical features

Code	SK9-21
Version	Cable 3 x 0,14 mm ²
Cable length	2000 mm
Sensor	HALL
Output	PNP, normally open
Operating voltage	10 ÷ 30 Vdc
Switching current (max.)	200 mA
Contact rating (max.)	6 W
Current consumption	10 mA (without load)
Voltage drop (max.)	2,2 V
Visual indicator	LED yellow diode: flashing (instable position) permanently light (stable position)
Operating frequency	1000 Hz
Temperature range	-30 ÷ +80 °C
Enclosure classification (DIN 40050)	IP69K
Protection circuit	Short-circuit, power source reverse polarity, power-up pulse
Mounting	Only with bracket SL-.. / ST-.. - Torque max. 0,3 Nm

SK9-21 / Sensor in PA12, cable in PUR - 1 piece each package

END OF STROKE SENSORS TYPE SKC with precise positioning sistem
SKC-27

End of stroke sensor HALL PNP - 3 poles N.O.

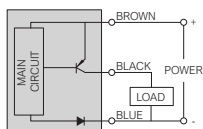
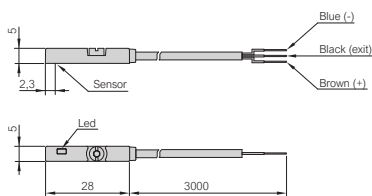

Technical features

Code	SKC-27
Version	Connector M8 x 1 - 3 pin
Cable length	200 mm
Sensor	HALL
Output	PNP, normally open
Operating voltage	10 ÷ 28 Vdc
Switching current (max.)	80 mA
Contact rating (max.)	2 W
Current consumption	10 mA (24 Vdc)
Voltage drop (max.)	1,5 V
Leakage current (max.)	0,05 mA
Visual indicator	Two colors LED diode: red (instable position) green (stable position)
Operating frequency	1000 Hz
Temperature range	-10 ÷ +60 °C
Enclosure classification (DIN 40050)	IP67
Protection circuit	Short-circuit, power source reverse polarity, power-up pulse
Mounting	Only with bracket SL-.. / ST-.. - Torque max. 0,3 Nm

SKC-27 / Sensor in PA, cable in PUR - 1 piece each package

END OF STROKE SENSORS TYPE SEX for potentially explosive environment ATEX
SEX-21

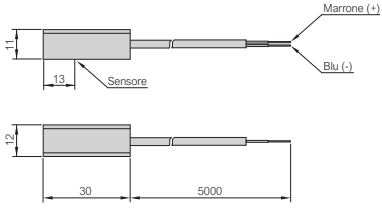
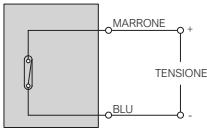
End of stroke sensor HALL PNP - 3 poles N.O.


Technical features

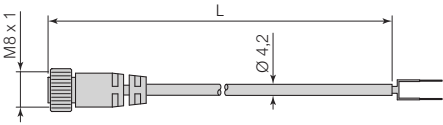
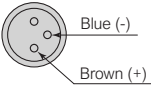
Code	SEX-21
Version	Cable 3 x 0,14 mm ²
Cable length	3000 mm
Sensor	HALL
Output	PNP, normally open
Operating voltage	10 ÷ 28 Vdc
Switching current (max.)	200 mA
Contact rating (max.)	5,5 W
Current consumption	10 mA (24 Vdc)
Voltage drop (max.)	1,5 V
Leakage current (max.)	0,05 mA
Visual indicator	LED yellow diode
Operating frequency	1000 Hz
Temperature range	-10 ÷ +70 °C
Enclosure classification (IEC 60529)	IP67
Protection circuit	Short-circuit, power source reverse polarity, power-up pulse
Mounting	Only with bracket SL-.. / ST-.. - Torque max. 0,3 Nm
ATEX marking (2014/34/EU)	II 3GD Ex ic IIB T4 Gc Ex ic IIIC T135°C Dc

SEX-21 / Sensor in PA, cable PVC - 1 piece each package

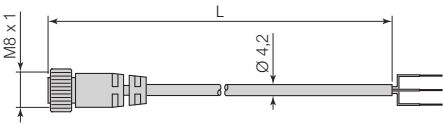
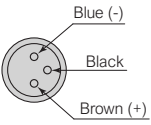
END OF STROKE SENSORS TYPE SHT for high temperature

SHT-21 End of stroke sensor REED - 2 poles N.O.		Technical features																														
	<table border="1"> <tr><td>Code</td><td>SHT-21</td></tr> <tr><td>Version</td><td>Cable 2 x 0,14 mm²</td></tr> <tr><td>Cable length</td><td>5000 mm</td></tr> <tr><td>Sensor</td><td>REED</td></tr> <tr><td>Output</td><td>Pure contact, normally open</td></tr> <tr><td>Operating voltage</td><td>5 ÷ 240 Vac / Vdc</td></tr> <tr><td>Switching current (max.)</td><td>500 mA</td></tr> <tr><td>Contact rating (max.)</td><td>10 W</td></tr> <tr><td>Voltage drop (max.)</td><td>0,5 V</td></tr> <tr><td>Visual indicator</td><td>None</td></tr> <tr><td>Operating frequency</td><td>200 Hz</td></tr> <tr><td>Temperature range</td><td>-10 ÷ +140 °C</td></tr> <tr><td>Enclosure classification (IEC 60529)</td><td>IP67</td></tr> <tr><td>Protection circuit</td><td>None</td></tr> <tr><td>Mounting</td><td>Only with braket CN SHT</td></tr> </table>		Code	SHT-21	Version	Cable 2 x 0,14 mm ²	Cable length	5000 mm	Sensor	REED	Output	Pure contact, normally open	Operating voltage	5 ÷ 240 Vac / Vdc	Switching current (max.)	500 mA	Contact rating (max.)	10 W	Voltage drop (max.)	0,5 V	Visual indicator	None	Operating frequency	200 Hz	Temperature range	-10 ÷ +140 °C	Enclosure classification (IEC 60529)	IP67	Protection circuit	None	Mounting	Only with braket CN SHT
	Code	SHT-21																														
Version	Cable 2 x 0,14 mm ²																															
Cable length	5000 mm																															
Sensor	REED																															
Output	Pure contact, normally open																															
Operating voltage	5 ÷ 240 Vac / Vdc																															
Switching current (max.)	500 mA																															
Contact rating (max.)	10 W																															
Voltage drop (max.)	0,5 V																															
Visual indicator	None																															
Operating frequency	200 Hz																															
Temperature range	-10 ÷ +140 °C																															
Enclosure classification (IEC 60529)	IP67																															
Protection circuit	None																															
Mounting	Only with braket CN SHT																															
	<p>SHT-21 / Sensor in Al, cable in PTFE - 1 piece each package</p>																															

THREADED CONNECTORS TYPE Y082LC SUITABLE FOR SRC-27

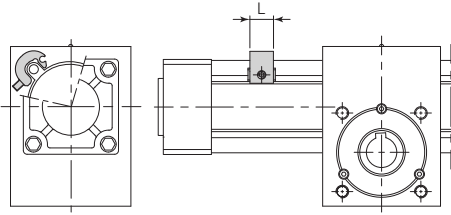
Y082LC ... Threaded connectors - 2 poles	Technical features																												
	<table border="1"> <tr><td>Code</td><td>Y082LC250C</td><td>Y082LC500C</td></tr> <tr><td>Threaded connector</td><td colspan="2">M8 x 1</td></tr> <tr><td>End connector</td><td colspan="2">Open</td></tr> <tr><td>Cable</td><td colspan="2">2 x 0,14 mm²</td></tr> <tr><td>Cable length (L)</td><td>2500 mm</td><td>5000 mm</td></tr> <tr><td>Operating voltage (max.)</td><td colspan="2">50 Vac / 60 Vdc</td></tr> <tr><td>Current (max.)</td><td colspan="2">3000 mA</td></tr> <tr><td>Working temperature</td><td colspan="2">-25 ÷ +75 °C</td></tr> <tr><td>Protection class (IEC 60529)</td><td colspan="2">IP67</td></tr> </table>		Code	Y082LC250C	Y082LC500C	Threaded connector	M8 x 1		End connector	Open		Cable	2 x 0,14 mm ²		Cable length (L)	2500 mm	5000 mm	Operating voltage (max.)	50 Vac / 60 Vdc		Current (max.)	3000 mA		Working temperature	-25 ÷ +75 °C		Protection class (IEC 60529)	IP67	
	Code	Y082LC250C	Y082LC500C																										
Threaded connector	M8 x 1																												
End connector	Open																												
Cable	2 x 0,14 mm ²																												
Cable length (L)	2500 mm	5000 mm																											
Operating voltage (max.)	50 Vac / 60 Vdc																												
Current (max.)	3000 mA																												
Working temperature	-25 ÷ +75 °C																												
Protection class (IEC 60529)	IP67																												
	<p>Y082LC ... / Connector in PVC, contacts in gilded brass, cable in PVC - 1 piece each package</p>																												

THREADED CONNECTORS TYPE Y083LC SUITABLE FOR SRD-27, SRN-27, SKC-27

Y083LC ... Threaded connectors - 3 poles	Technical features																												
	<table border="1"> <tr><td>Code</td><td>Y083LC250D</td><td>Y083LC500D</td></tr> <tr><td>Threaded connector</td><td colspan="2">M8 x 1</td></tr> <tr><td>End connector</td><td colspan="2">Open</td></tr> <tr><td>Cable</td><td colspan="2">3 x 0,14 mm²</td></tr> <tr><td>Cable length (L)</td><td>2500 mm</td><td>5000 mm</td></tr> <tr><td>Operating voltage (max.)</td><td colspan="2">50 Vac / 60 Vdc</td></tr> <tr><td>Current (max.)</td><td colspan="2">3000 mA</td></tr> <tr><td>Working temperature</td><td colspan="2">-25 ÷ +75 °C</td></tr> <tr><td>Protection class (IEC 60529)</td><td colspan="2">IP67</td></tr> </table>		Code	Y083LC250D	Y083LC500D	Threaded connector	M8 x 1		End connector	Open		Cable	3 x 0,14 mm ²		Cable length (L)	2500 mm	5000 mm	Operating voltage (max.)	50 Vac / 60 Vdc		Current (max.)	3000 mA		Working temperature	-25 ÷ +75 °C		Protection class (IEC 60529)	IP67	
	Code	Y083LC250D	Y083LC500D																										
Threaded connector	M8 x 1																												
End connector	Open																												
Cable	3 x 0,14 mm ²																												
Cable length (L)	2500 mm	5000 mm																											
Operating voltage (max.)	50 Vac / 60 Vdc																												
Current (max.)	3000 mA																												
Working temperature	-25 ÷ +75 °C																												
Protection class (IEC 60529)	IP67																												
	<p>Y083LC ... / Connector in PVC, contacts in gilded brass, cable in PVC - 1 piece each package</p>																												

FIXING BRACKET TYPE ST10 - ST11
ST-10 - ST-11

Fixing bracket for end of stroke sensor

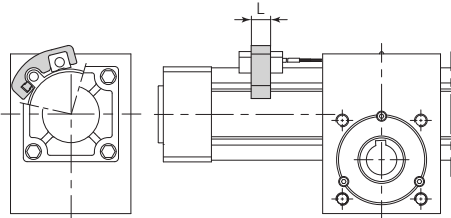


Bore mm	Code	L	Set head screw for fixing to cylinder	
32	ST-10	12	M5 x 10	
40	ST-10	12	M5 x 10	
50	ST-10	12	M5 x 10	
63	ST-10	12	M5 x 10	
80	ST-11	14	M5 x 15	
100	ST-11	14	M5 x 15	
125	ST-11	14	M5 x 15	

ST-... AISI 303 - Zinc coating steel / 1 piece each package + 1 set head screw for fixing to cylinder

FIXING BRACKET TYPE CR SHT
CR SHT ...

Fixing bracket for end of stroke sensor tipe SHT-21



Bore mm	Code	L	Set head screw for fixing to sensor	Set head screw for fixing to cylinder
32	CR SHT 02	12	M2,6 x 6	M4 x 10
40	CR SHT 40	12	M2,6 x 6	M4 x 10
50	CR SHT 50	12	M2,6 x 6	M4 x 10
63	CR SHT 63	12	M2,6 x 6	M4 x 10
80	CR SHT 80	12	M2,6 x 6	M4 x 10
100	CR SHT 100	12	M2,6 x 6	M4 x 10
125	CR SHT 125	12	M2,6 x 6	M4 x 10

CR SHT ... Anodized aluminium / 1 piece each package + 1 set head screw for fixing sensor SHT + 1 set head screw for fixing to cylinder



BONESI PNEUMATIK realizza tutti i suoi prodotti in Italia



BONESI PNEUMATIK s.r.l.

Via A. Robino n. 117
20025 Legnano (MI) Italy
P.I. / C.F. 10396340159
R.E.A. 1373315

www.bonesipneumatik.it
info@bonesipneumatik.it
Phone +39 0331 448000
Telefax +39 0331 448070

