







# Air treatment units- X Series

Connections: 1/8" - 1/4"

## X SERIES



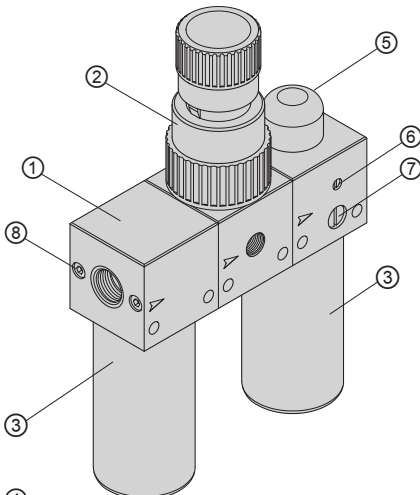
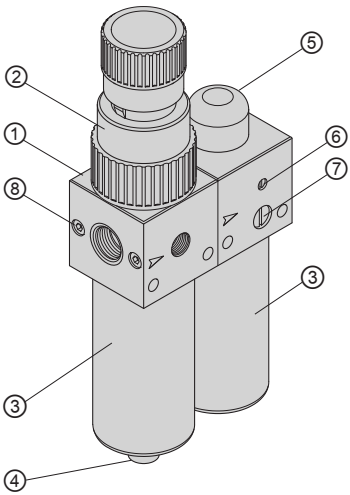
- Adjustment knob lock function
- Small footprint
- High mechanical strength
- Anodised aluminium body
- Clear trogamid bowl
- Standard or fine adjustment
- Modular assembly with interchangeable elements
- Standard or fine filtration

## TECHNICAL CHARACTERISTICS

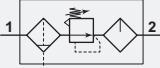
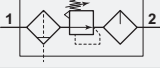
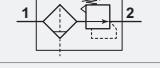



<b>Functions</b>	Filter - Pressure regulator - Lubricator					
<b>Adjustment</b>	Manual					
<b>Materials</b>	Anodised aluminium alloy body, Nylon 66 adjustment knob, clear trogamid tank Internal components in passivated brass, steel spring - Sintered bronze cartridge - NBR gaskets					
<b>Note on materials</b>	Compliant with REACH (1907/2006/EC and subsequent amendments)					
<b>Connections</b>	1/8" - 1/4" Gas					
<b>Threads</b>	Cylindrical gases (BSPP)					
<b>Operating temperature</b>	0°C ÷ +80°C (-20°C with dry air, to avoid ice formation)					
<b>Group</b>	Regulator filter + Lubricator	Filter + Regulator + Lubricator	Regulator filter	Regulator	Filter	Lubricator
<b>Coding</b>	XFRUL8 - XFRUL4	XFRL8 - XFRL4	XFRU8 - XFRU4	XR8 - XR4	XF8 - XF4	XL8 - XL4
<b>Air flow rate</b> <small>Supply pressure: 6 bar (ΔP 1 bar)</small>	365 NI/min	400 NI/min	365 NI/min	400 NI/min	400 NI/min	650 NI/min
<b>Filter element</b>	Standard: 20 µm Fine (X): 5 µm	Standard: 20 µm Fine (X): 5 µm	Standard: 20 µm Fine (X): 5	-	Standard: 20 µm Fine (X): 5	-
<b>Adjustment range</b>	Standard: 0.7+12 bar Precise: 0.1+3.5 bar	Standard: 0.7+12 bar Precise: 0.1+3.5 bar	Standard: 0.7+12 bar Precise: 0.1+3.5 bar	Standard: 0.7+12 bar Precise: 0.1+3.5 bar	-	-
<b>Weight</b>	320 g	435 g	170 g	135 g	150 g	150 g
<b>Maximum inlet pressure</b>	12 bar					
<b>Fluid</b>	Compressed air					

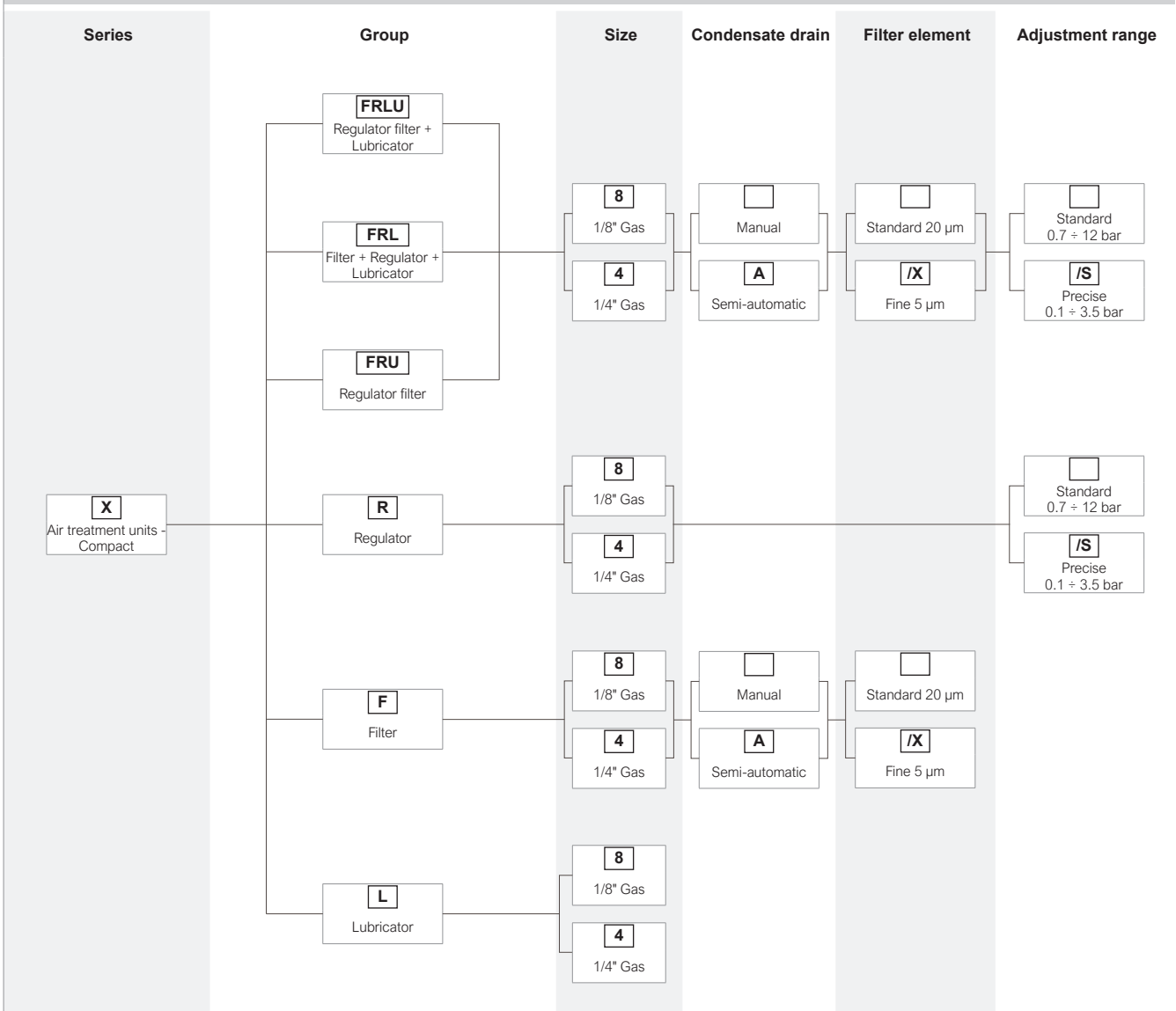
## MATERIALS - AIR TREATMENT UNITS X SERIES

POS	DESCRIPTION	MATERIALS	POS	DESCRIPTION	MATERIALS
①	Body	Black anodised drawn aluminium	⑤	Dome	Clear trogamid
②	Regulator unit	Nylon 66 black	⑥	Adjustment screw	Passivated brass
③	Tank	Clear trogamid	⑦	Cap	Passivated brass
④	Condensate drain	Passivated brass	⑧	Screw	Galvanised steel



**CODING KEYS - AIR TREATMENT UNITS X SERIES**

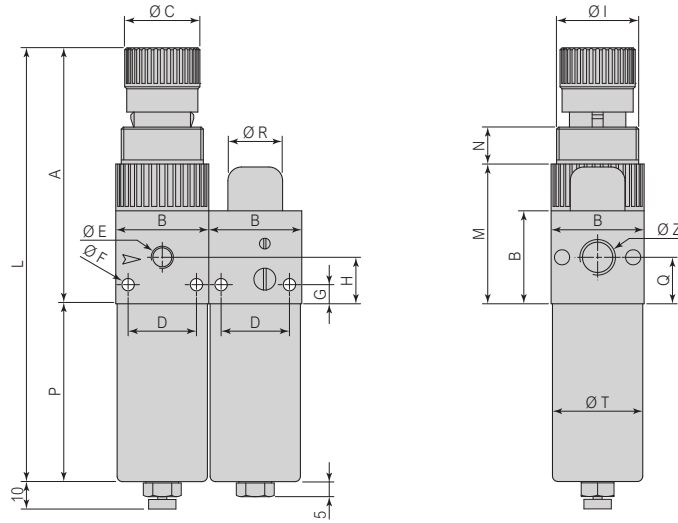
Series	Group	Size	Condensate drain	Filter element	Adjustment range
<b>X</b>	<b>FRUL</b>	<b>8</b>	<input type="checkbox"/>	<input type="checkbox"/>	<input type="checkbox"/>
<b>X</b> = Air treatment units - Compact	<b>FRUL</b> = Regulator filter + Lubricator 	<b>8</b> = 1/8" Gas <b>4</b> = 1/4" Gas	<b>NULL</b> = Manual <b>A</b> = Semi-automatic	<b>NULL</b> = Standard: 20 µm <b>/X</b> = Fine: 5 µm	<b>NULL</b> = Standard: 0.7 ÷ 12 bar <b>/S</b> = Precise: 0.1 ÷ 3.5 bar
	<b>FRL</b> = Filter + regulator + Lubricator 				
	<b>FRU</b> = Regulator filter 				
	<b>R</b> = Regulator 				
	<b>F</b> = Filter 				
	<b>L</b> = Lubricator 				

**POSSIBLE CONFIGURATIONS**




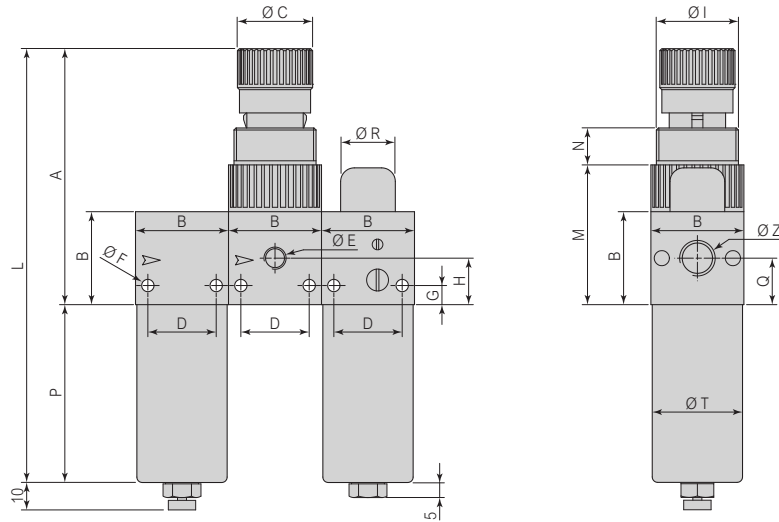
**DIMENSIONS - AIR TREATMENT UNITS X SERIES**

**REGULATOR FILTER + LUBRICATOR**

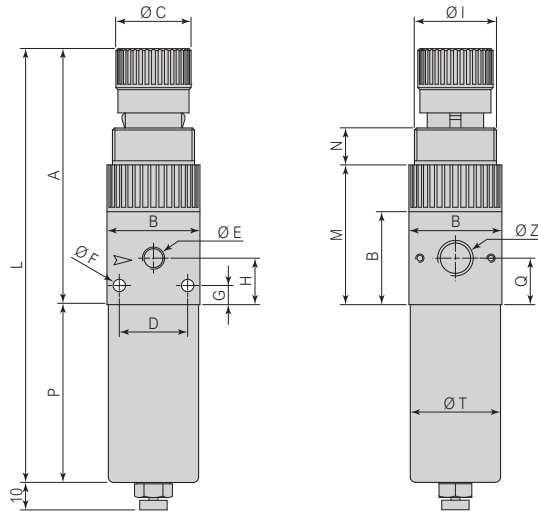


Symbol	Size - Ø Z	Code	A	B	ØC	D	ØE	ØF	G	H	ØI	L	M	N	P	Q	ØR	ØT
	Gas 1/8"	XFRUL8	82	34	27.5	25	Gas 1/8"	3.5	7	17	M30x1.5	148	51	13.5	66	17	20	33
	Gas 1/4"	XFRUL4	82	34	27.5	25	Gas 1/8"	3.5	7	17	M30x1.5	148	51	13.5	66	17	20	33

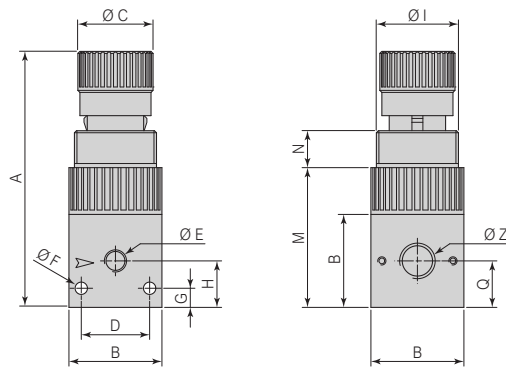
**FILTER + REGULATOR + LUBRICATOR**



Symbol	Size - Ø Z	Code	A	B	ØC	D	ØE	ØF	G	H	ØI	L	M	N	P	Q	ØR	ØT
	Gas 1/8"	XFRL8	82	34	27.5	25	Gas 1/8"	3.5	7	17	M30 x 1.5	148	51	13.5	66	17	20	33
	Gas 1/4"	XFRL4	82	34	27.5	25	Gas 1/8"	3.5	7	17	M30 x 1.5	148	51	13.5	66	17	20	33

**DIMENSIONS - AIR TREATMENT UNITS X SERIES**
**REGULATOR FILTER**


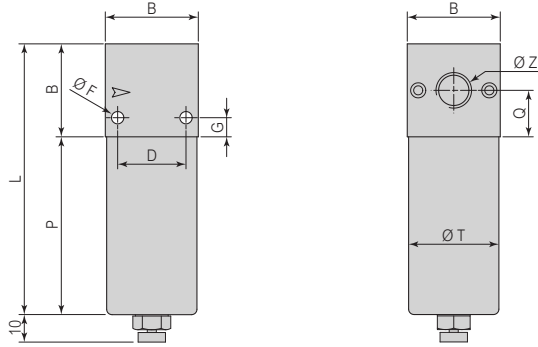
Symbol	Size - Ø Z	Code	A	B	Ø C	D	Ø E	Ø F	G	H	Ø I	L	M	N	P	Q	Ø T
	Gas 1/8"	XFRU8	82	34	27.5	25	Gas 1/8"	3.5	7	17	M30 x 1.5	148	51	13.5	66	17	33
	Gas 1/4"	XFRU4	82	34	27.5	25	Gas 1/8"	3.5	7	17	M30 x 1.5	148	51	13.5	66	17	33

**REGULATOR**


Symbol	Size - Ø Z	Code	A	B	Ø C	D	Ø E	Ø F	G	H	Ø I	M	N	Q
	Gas 1/8"	XR8	82	34	27.5	25	Gas 1/8"	3.5	7	17	M30 x 1.5	51	13.5	17
	Gas 1/4"	XR4	82	34	27.5	25	Gas 1/8"	3.5	7	17	M30 x 1.5	51	13.5	17

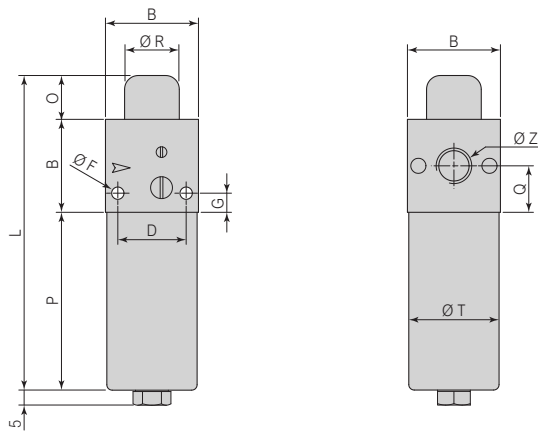
**DIMENSIONS - AIR TREATMENT UNITS X SERIES**

**FILTER**

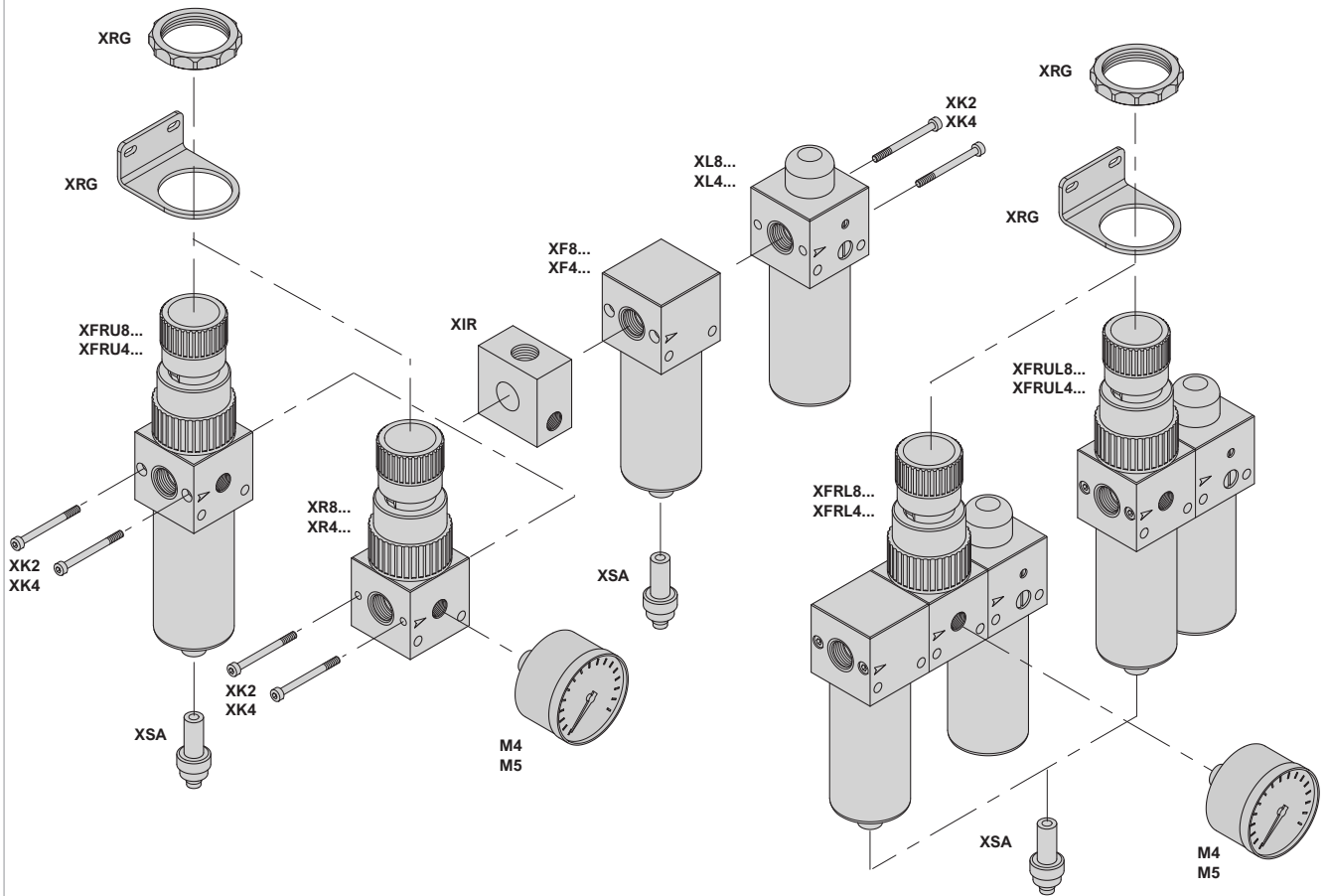


Symbol	Size - Ø Z	Code	B	D	Ø F	G	L	P	Q	Ø T
	Gas 1/8"	XF8	34	25	3.5	7	100	66	17	33
	Gas 1/4"	XF4	34	25	3.5	7	100	66	17	33

**LUBRICATOR**



Symbol	Size - Ø Z	Code	B	D	Ø F	G	L	O	P	Q	Ø R	Ø T
	Gas 1/8"	XL8	34	25	3.5	7	116	16	66	17	20	33
	Gas 1/4"	XL4	34	25	3.5	7	116	16	66	17	20	33

**X SERIES ACCESSORIES**


	<b>REGULATOR RING NUT</b> For XFRU - XR - XFRL - XFRUL	<b>FASTENING BRACKET</b> For XFRU - XR - XFRL - XFRUL	<b>DERIVATION INSERT</b> For pneumatic signal sampling of the air treatment unit	<b>PRESSURE GAUGE</b> Dial Ø40	<b>PRESSURE GAUGE</b> Dial Ø50
<b>Size</b>	Page 4.1.05.7	Page 4.1.05.7	Page 4.1.05.7	Page 4.1.05.7	Page 4.1.05.7
Gas 1/8"	XRG	XSG	XIR	M4	M5
Gas 1/4"	Nylon 66 black	Galvanised steel	Anodised aluminium	Plastic dial Brass threaded connection	Plastic dial Brass threaded connection
	<b>ASSEMBLY KIT</b> For XIR	<b>ASSEMBLY KIT</b> For XFRUL	<b>ASSEMBLY KIT</b> For XFRL - XIR	<b>CONDENSATE DRAIN SEMI-AUTOMATIC</b> For filter regulator and filter	
<b>Size</b>				Page 4.1.05.7	
Gas 1/8"	XKR	XK2	XK4	XSA	
Gas 1/4"	Zinc-plated steel screws NBR gaskets	Zinc-plated steel screws NBR gaskets	Zinc-plated steel screws NBR gaskets	Brass body NBR gasket	

X SERIES ACCESSORIES													
<b>REGULATOR RING NUT</b> For XFRU - XR - XFRL - XFRUL			<b>Size</b>	<b>Code</b>	<b>A</b>	<b>Ø B</b>	<b>C</b>						
			Air treatment unit										
			Gas 1/8"	XRG	6	38	M30x1.5						
			Gas 1/4"	XRG	6	38	M30x1.5						
Black nylon 66 ring nut / 1 piece per pack													
<b>FASTENING BRACKET</b> For XFRU - XR - XFRL - XFRUL			<b>Size</b>	<b>Code</b>	<b>A</b>	<b>B</b>	<b>C</b>	<b>Ø D</b>	<b>E</b>	<b>F</b>	<b>G</b>	<b>H</b>	<b>I</b>
			Air treatment unit										
			Gas 1/8"	XSG	45	36	27	30.5	20	15	2	25	7
			Gas 1/4"	XSG	45	36	27	30.5	20	15	2	25	7
Galvanised steel bracket / 1 piece per pack													
<b>DERIVATION INSERT</b>			<b>Size</b>	<b>Code</b>	<b>A</b>	<b>B</b>	<b>C</b>	<b>Ø D</b>	<b>Ø E</b>				
			Air treatment unit										
			Gas 1/8"	XIR	34	20	8	Gas 1/4"	Gas 1/8"				
			Gas 1/4"	XIR	34	20	8	Gas 1/4"	Gas 1/8"				
Anodised aluminium insert / 1 piece per pack													
<b>PRESSURE GAUGES</b> Ø 40 - Ø 50 for XFRU - XR - XFRL - XFRUL			<b>Size</b>	<b>Code</b>	<b>Scale</b>	<b>A</b>	<b>B</b>	<b>C</b>	<b>Ø D</b>	<b>Ch</b>			
			Air treatment unit										
			Gas 1/8"	M 4 04	0 ÷ 4	40	37	24.5	Gas 1/8"	12			
				M 4 06	0 ÷ 6								
				M 4 10	0 ÷ 10								
				M 4 12	0 ÷ 12								
			Gas 1/4"	M 5 04	0 ÷ 4	50	46	27.5	Gas 1/8"	14			
				M 5 10	0 ÷ 10								
M 5 12	0 ÷ 12												
Black plastic body - clear, brass threaded connection / 1 piece per pack													
<b>CONDENSATE DRAIN</b> Semi-automatic			<b>Size</b>	<b>Code</b>	<b>A</b>	<b>Ø B</b>	<b>Ch</b>						
			Air treatment unit										
			Gas 1/8"	XSA	18	6	12						
			Gas 1/4"	XSA	18	6	12						
Brass body, NBR gasket / 1 piece per pack													

## Air treatment units - AS Series

Connections: 1/4" - 1/2" - 1"

### AS SERIES


 Adjustment knob  
lock function

High mechanical strength

 Zinc and aluminium alloy body  
Galvanised and epoxy powder coated

 Clear technopolymer bowl  
Zinc alloy and painted aluminium casing

Semi-automatic condensate drain

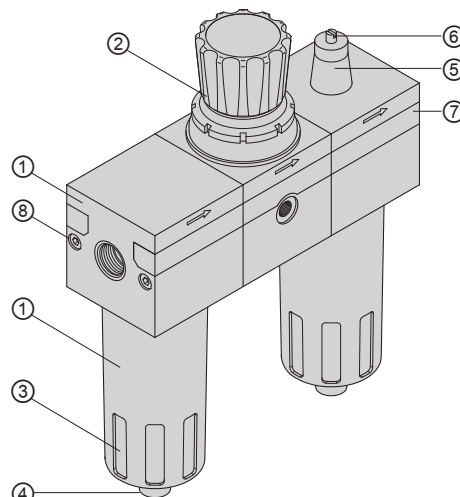
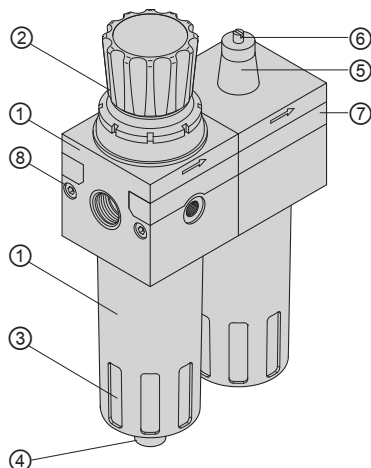
 Modular assembly with  
interchangeable elements

### TECHNICAL CHARACTERISTICS

<b>Functions</b>	Filter - Pressure regulator - Lubricator					
<b>Adjustment</b>	Manual					
<b>Materials</b>	Body and bowl in zinc and aluminium alloy, galvanised and epoxy painted. Technopolymer adjustment knob Clear technopolymer tank. Passivated brass components, steel spring. Sintered bronze cartridge - NBR gaskets					
<b>Note on materials</b>	Compliant with REACH (1907/2006/EC and subsequent amendments)					
<b>Connections</b>	1/4" - 1/2" - 1" Gas					
<b>Threads</b>	Cylindrical gases (BSPP)					
<b>Operating temperature</b>	0°C ÷ +80°C (-20°C with dry air, to avoid ice formation)					
<b>Group</b>	Regulator filter + Lubricator	Filter + Regulator + Lubricator	Regulator filter	Regulator	Filter	Lubricator
<b>Coding</b>	AS FL ...	AS FRL ...	AS FR ...	AS R ...	AS F ...	AS L ...
<b>Air flow rate</b>	1/4"	700 NI/min	400 NI/min	850 NI/min	850 NI/min	1750 NI/min 1700 NI/min
Supply pressure: 6 bar	1/2"	2500 NI/min	2200 NI/min	2600 NI/min	2600 NI/min	4300 NI/min 4500 NI/min
(ΔP 1 bar)	1"	4600 NI/min	3700 NI/min	4600 NI/min	4600 NI/min	11000 NI/min 16000 NI/min
<b>Filter element</b>	Standard: 20 µm Fine (X): 4 µm	Standard: 20 µm Fine (X): 4 µm	Standard: 20 µm Fine (X): 4 µm	-	Standard: 20 µm Fine (X): 4 µm	-
<b>Adjustment range</b>	Standard: 0.1÷12 bar Precise: 0.1 ÷ 4 bar	Standard: 0.1÷12 bar Precise: 0.1 ÷ 4 bar	Standard: 0.1÷12 bar Precise: 0.1 ÷ 4 bar	Standard: 0.1÷12 bar Precise: 0.1 ÷ 4 bar	-	-
<b>Weight</b>	(1/4" - 1/2" - 1")	0.9 - 2 - 4 kg	1 - 2.5 - 5.8 kg	0.35 - 0.9 - 2.5 kg	0.3 - 0.8 - 2.2 kg	0.4 - 0.9 - 1.9 kg 0.3 - 0.7 - 1.6 kg
<b>Maximum inlet pressure</b>	18 bar					
<b>Fluid</b>	Compressed air					

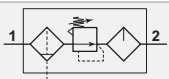
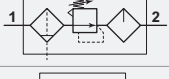
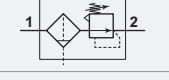
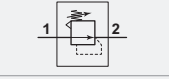
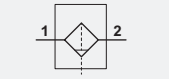
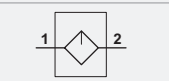
### MATERIALS - AIR TREATMENT UNITS AS SERIES

POS	DESCRIPTION	MATERIALS	POS	DESCRIPTION	MATERIALS
①	Body / Bowl	Zinc and epoxy painted aluminium alloy	⑤	Dome	Clear technopolymer
②	Regulator unit	Black technopolymer	⑥	Adjustment screw	Passivated brass
③	Tank	Clear technopolymer	⑦	Inserts	Coloured technopolymer
④	Condensate drain	Technopolymer and brass	⑧	Screw	Galvanised steel

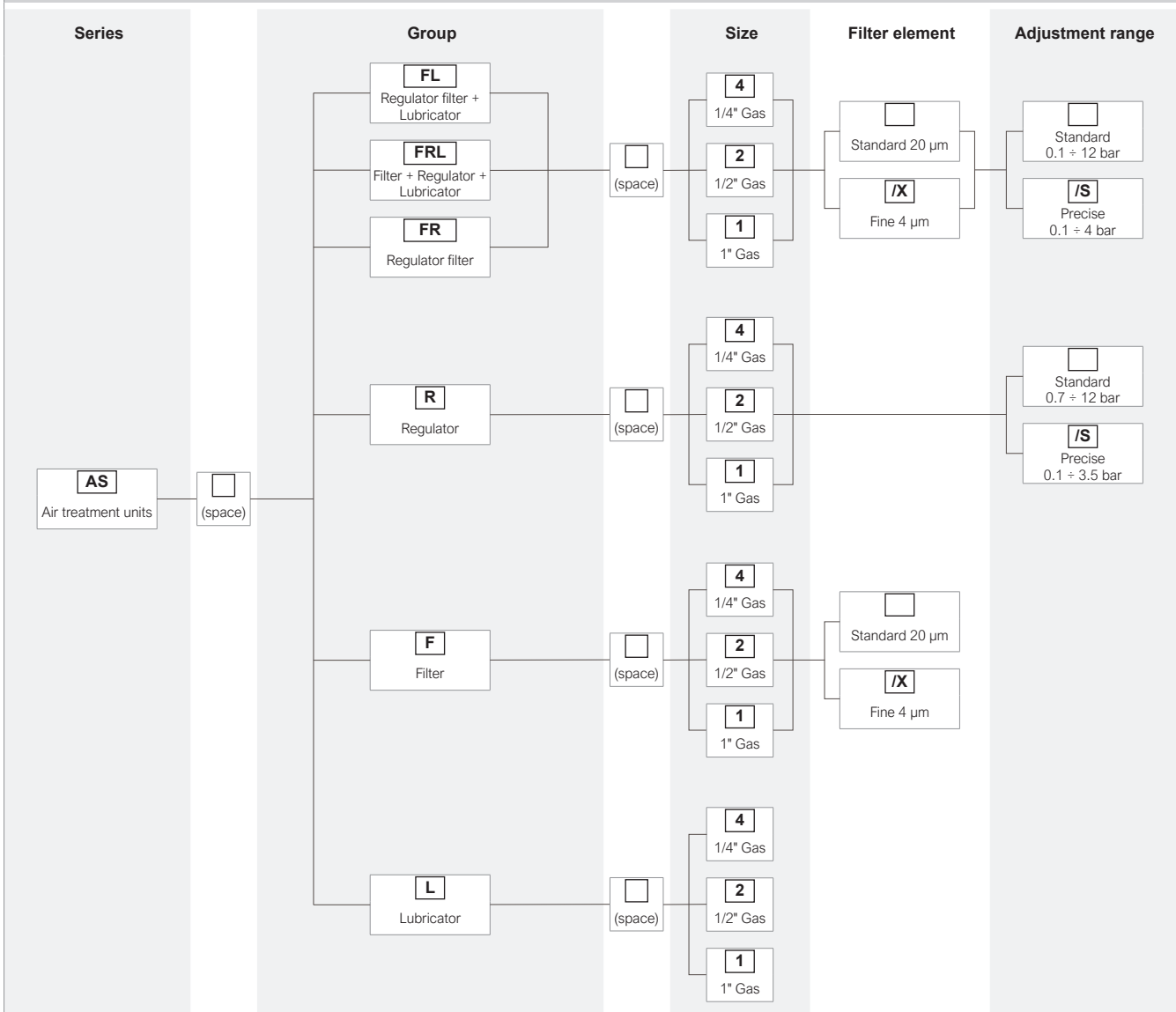


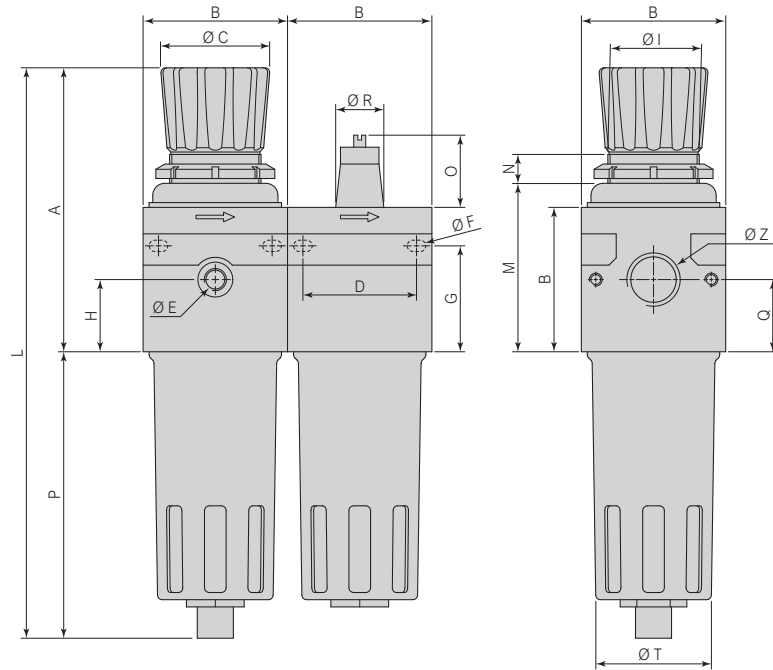


**CODING KEY - AIR TREATMENT UNITS AS SERIES**

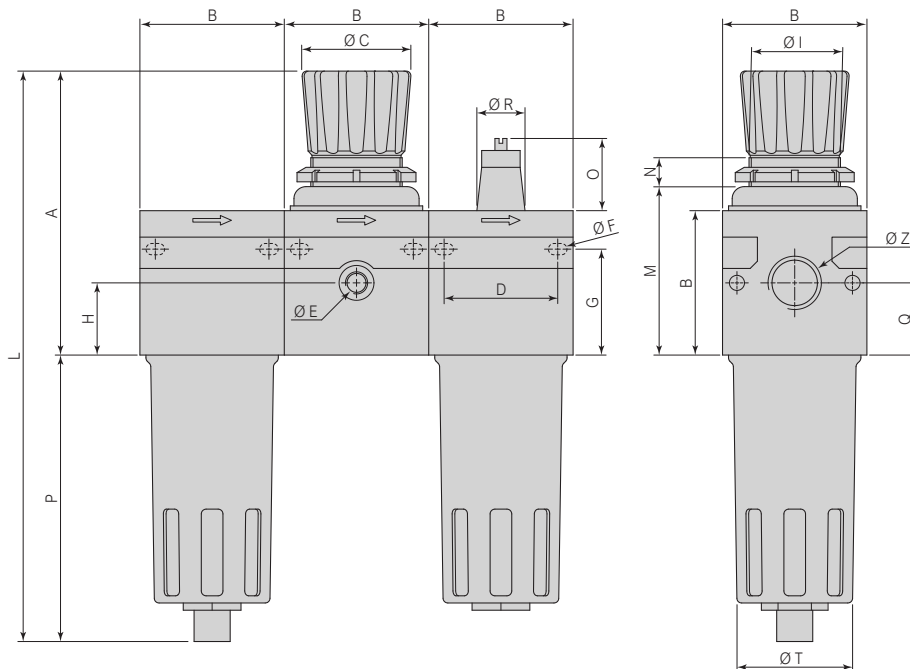
Series	(space)	Group	(space)	Size	Filter element	Adjustment range
<b>AS</b>	<input type="checkbox"/>	<b>FL</b>	<input type="checkbox"/>	<b>4</b>	<input type="checkbox"/>	<input type="checkbox"/>
<p><b>AS</b> = Air treatment units</p>						
<p><b>FL</b> = Regulator filter + Lubricator</p> 						
<p><b>FRL</b> = Filter + regulator + Lubricator</p> 						
<p><b>FR</b> = Regulator filter</p> 						
<p><b>R</b> = Regulator</p> 						
<p><b>F</b> = Filter</p> 						
<p><b>L</b> = Lubricator</p> 						
<p><b>4</b> = 1/4" Gas <b>2</b> = 1/2" Gas <b>1</b> = 1" Gas</p>						
<p><b>NULL</b> = Standard: 20 µm <b>/X</b> = Fine: 4 µm</p>						
<p><b>NULL</b> = Standard : 0.1 ÷ 12 bar <b>/S</b> = Precise: 0.1 ÷ 4 bar</p>						

**POSSIBLE CONFIGURATIONS**



**DIMENSIONS - AIR TREATMENT UNITS AS SERIES**
**REGULATOR FILTER + LUBRICATOR**


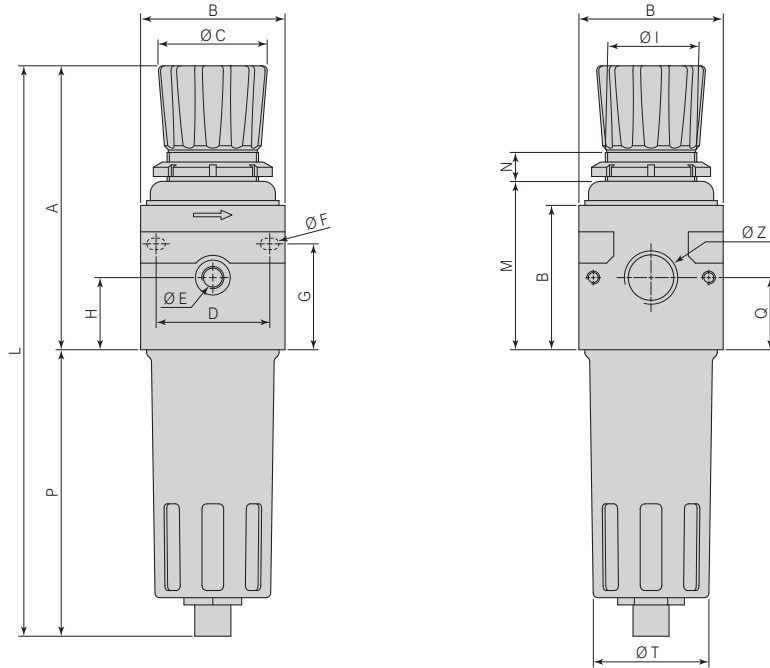
Symbol	Size - Ø Z	Code	A	B	Ø C	D	Ø E	Ø F	G	H	Ø I	L	M	N	O	P	Q	Ø R	Ø T
	Gas 1/4"	AS FL 4	85	42	30	32	Gas 1/8"	5.5	31	21	M30x1.5	184	51	10	14	99	21	20	37
	Gas 1/2"	AS FL 2	120	60	45	46	Gas 1/8"	5.5	44	30	M38x2.0	245	70	12	12	125	30	20	51
	Gas 1"	AS FL 1	164	80	65	66	Gas 1/4"	6.5	62	40	M55x2.0	319	90	22	35	155	40	24	76

**FILTER + REGULATOR + LUBRICATOR**


Symbol	Size - Ø Z	Code	A	B	Ø C	D	Ø E	Ø F	G	H	Ø I	L	M	N	O	P	Q	Ø R	Ø T
	Gas 1/4"	AS FRL 4	85	42	30	32	Gas 1/8"	5.5	31	21	M30x1.5	184	51	10	14	99	21	20	37
	Gas 1/2"	AS FRL 2	120	60	45	46	Gas 1/8"	5.5	44	30	M38x2.0	245	70	12	12	125	30	20	51
	Gas 1"	AS FRL 1	164	80	65	66	Gas 1/4"	6.5	62	40	M55x2.0	319	90	22	35	155	40	24	76

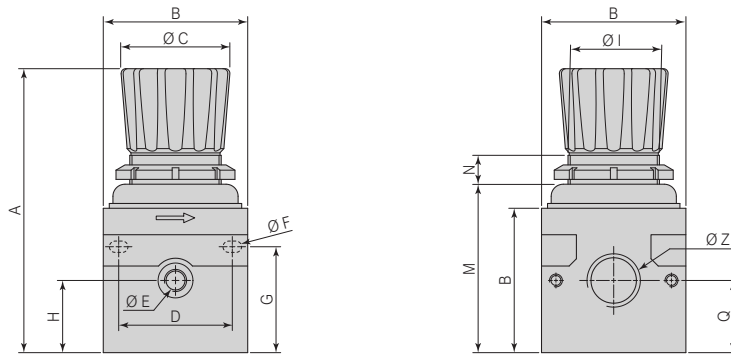
**DIMENSIONS - AIR TREATMENT UNITS AS SERIES**

**REGULATOR FILTER**

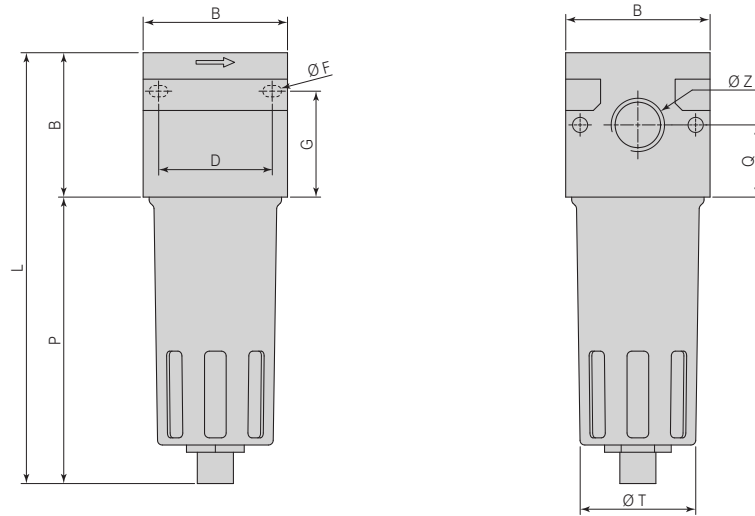


Symbol	Size - Ø Z	Code	A	B	Ø C	D	Ø E	Ø F	G	H	Ø I	L	M	N	P	Q	Ø T
	Gas 1/4"	AS FR 4	85	42	30	32	Gas 1/8"	5.5	31	21	M30x1.5	184	51	10	99	21	37
	Gas 1/2"	AS FR 2	120	60	45	46	Gas 1/8"	5.5	44	30	M38x2.0	245	70	12	125	30	51
	Gas 1"	AS FR 1	164	80	65	66	Gas 1/4"	6.5	62	40	M55x2.0	319	90	22	155	40	76

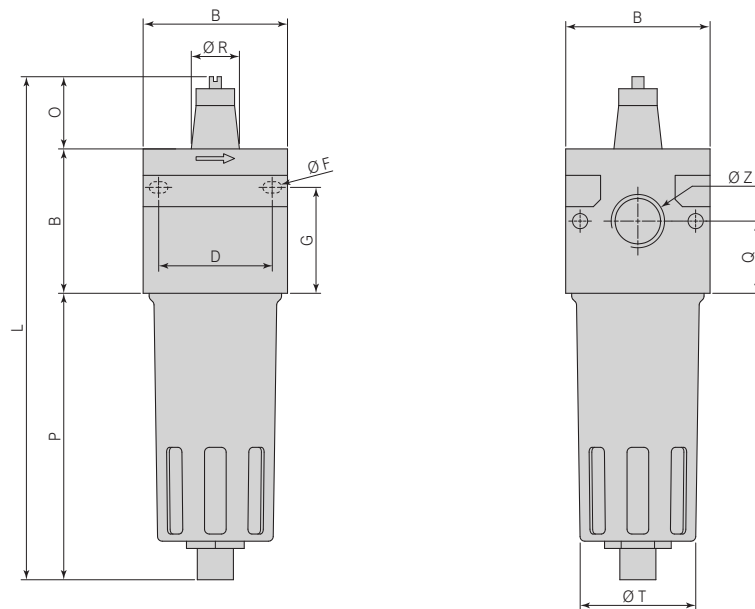
**REGULATOR**



Symbol	Size - Ø Z	Code	A	B	Ø C	D	Ø E	Ø F	G	H	Ø I	M	N	Q
	Gas 1/4"	AS R 4	85	42	30	32	Gas 1/8"	5.5	31	21	M30x1.5	51	10	21
	Gas 1/2"	AS R 2	120	60	45	46	Gas 1/8"	5.5	44	30	M38x2.0	70	12	30
	Gas 1"	AS R 1	164	80	65	66	Gas 1/4"	6.5	62	40	M55x2.0	90	22	40

**DIMENSIONS - AIR TREATMENT UNITS AS SERIES**
**FILTER**


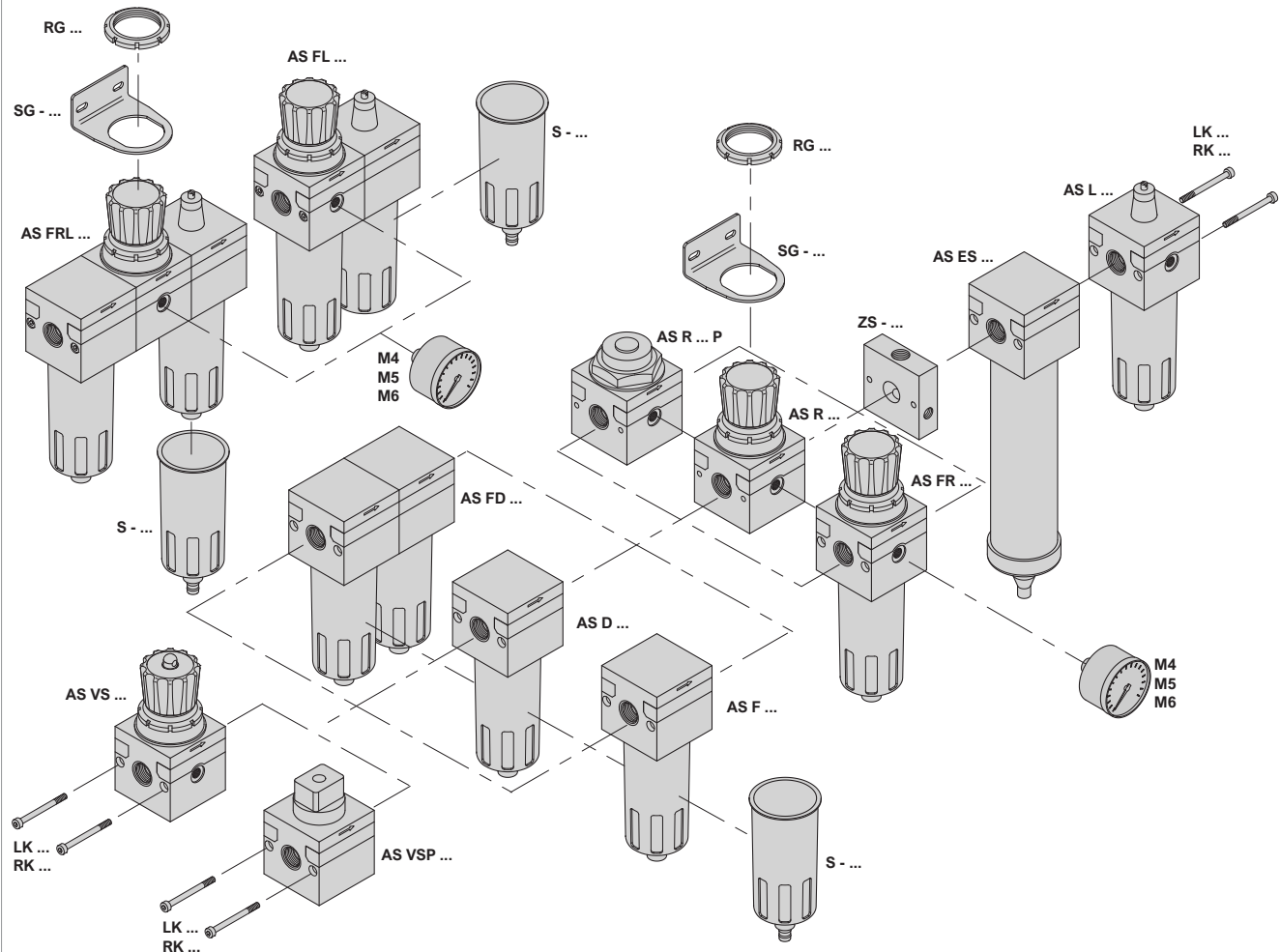
Symbol	Size - Ø Z	Code	B	D	Ø F	G	L	P	Q	Ø T
	Gas 1/4"	AS F 4	42	32	5.5	31	141	99	21	37
	Gas 1/2"	AS F 2	60	46	5.5	44	185	125	30	51
	Gas 1"	AS F 1	80	66	6.5	62	235	155	40	76

**LUBRICATOR**


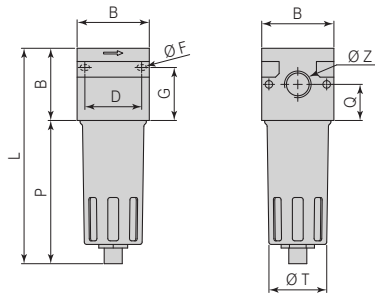
Symbol	Size - Ø Z	Code	B	D	Ø F	G	L	O	P	Q	Ø R	Ø T
	Gas 1/4"	AS L 4	42	32	5.5	31	184	14	99	21	20	37
	Gas 1/2"	AS L 2	60	46	5.5	44	245	12	125	30	20	51
	Gas 1"	AS L 1	80	66	6.5	62	319	35	155	40	24	76

4.2.05.5

**AS SERIES ACCESSORIES**



	DEPURATOR	FILTER + DEPURATOR	DRYER	PILOT CONTROLLED REGULATOR Pneumatically	SHUT OFF VALVE Manual	SHUT OFF VALVE Pneumatics	RING NUT For AS FL ... - AS FRL ... AS FR ... - AS R ...		
<b>Size</b>	Page 4.2.05.7	Page 4.2.05.7	Page 4.2.05.7	Page 4.2.05.8	Page 4.2.05.8	Page 4.2.05.8	Page 4.2.05.8		
Gas 1/4"	AS D 4	AS FD 4	-	-	-	-	RG 4		
Gas 1/2"	AS D 2	AS FD 2	AS ES 2	AS R 2 P	AS VS 2	AS VSP 2	RG 2		
Gas 1"	-	-	-	-	-	-	RG 1		
	Painted zinc alloy and aluminium body and bowl	Painted zinc alloy and aluminium body and bowl	Painted zinc alloy and aluminium body	Painted zinc alloy and aluminium body	Painted zinc alloy and aluminium body Technopolymer control	Painted zinc alloy and aluminium body Aluminium control	Black technopolymer		
	FASTENING BRACKET For AS FL ... - AS FRL ... AS FR ... - AS R ...	DEVIATION INSERT For pneumatic signal sampling of the air treatment unit	ASSEMBLY KIT For AS FL	ASSEMBLY KIT For AS FRL	CONDENSATE DRAIN AUTOMATIC For filter regulator and filter	PRESSURE GAUGE			
<b>Size</b>	Page 4.2.05.9	Page 4.2.05.9			Page 4.2.05.9	Page 4.2.05.9			
Gas 1/4"	SG-4	ZS-4	LK 4	RK 4	S-4	M4	M5	-	
Gas 1/2"	SG-2	ZS-2	LK 2	RK 2	S-2	M4	M5	-	
Gas 1"	-	ZS-1	LK 1	RK 1	S-1	-	-	M6	
	Galvanised steel	Anodised aluminium	Zinc-plated steel screws NBR gaskets	Zinc-plated steel screws NBR gaskets	Brass body NBR gasket	Plastic dial Brass threaded connection			

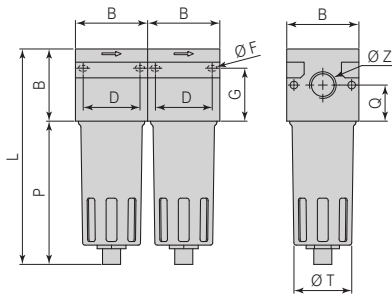
**AS SERIES ACCESSORIES**
**DEPURATOR**

**Technical characteristics**

<b>Code</b>	AS D 4	AS D 2
<b>Connections</b>	Gas 1/4"	Gas 1/2"
<b>Purification level</b>	99.97% at 0.01 µm	
<b>Maximum inlet pressure</b>	18 bar (10 bar with automatic condensate drain)	
<b>Operating temperature</b>	-25°C ÷ +50°C	
<b>Weight</b>	0.4 kg	0.9 kg

**Dimensions**

Size - Ø Z	Code	B	D	Ø F	G	L	P	Q	Ø T
Gas 1/4"	AS D 4	42	32	5.5	31	141	99	21	37
Gas 1/2"	AS D 2	60	46	5.5	44	185	125	30	51

AS D ... / Painted zinc alloy and aluminium body and bowl - 1 piece per pack

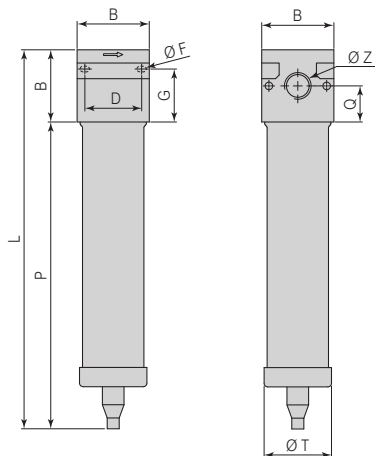
**FILTER + DEPURATOR**

**Technical characteristics**

<b>Code</b>	AS FD 4	AS FD 2
<b>Connections</b>	Gas 1/4"	Gas 1/2"
<b>Filtration degree</b>	4 µm	
<b>Purification level</b>	99.97% at 0.01 µm	
<b>Maximum inlet pressure</b>	18 bar (10 bar with automatic condensate drain)	
<b>Operating temperature</b>	-25°C ÷ +50°C	
<b>Weight</b>	0.8 kg	1.8 kg

**Dimensions**

Size - Ø Z	Code	B	D	Ø F	G	L	P	Q	Ø T
Gas 1/4"	AS FD 4	42	32	5.5	31	141	99	21	37
Gas 1/2"	AS FD 2	60	46	5.5	44	185	125	30	51

AS FD ... / Painted zinc alloy and aluminium body and bowl - 1 piece per pack

**DRYER**

**Technical characteristics**

<b>Code</b>	AS ES 2
<b>Connections</b>	Gas 1/2"
<b>Maximum inlet pressure</b>	10 bar
<b>Operating temperature</b>	0°C ÷ +50°C
<b>Weight</b>	0.9 kg

**Dimensions**

Size - Ø Z	Code	B	D	Ø F	G	L	P	Q	Ø T
Gas 1/2"	AS ES 2	60	46	5.5	44	285	225	30	56

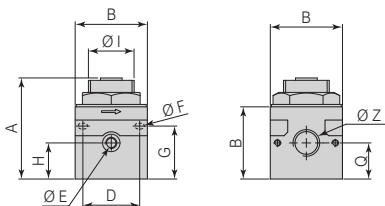
AS ES ... / Painted zinc alloy and aluminium body and bowl - 1 piece per pack



**AS SERIES ACCESSORIES**

**PILOT CONTROLLED REGULATOR**

Pneumatic operation



**Technical characteristics**

<b>Code</b>	AS R 2 P
<b>Connections</b>	Gas 1/2"
<b>Air flow rate</b>	4500 NI/min (at 6 bar)
<b>Maximum inlet pressure</b>	18 bar
<b>Operating temperature</b>	0°C ÷ +50°C
<b>Weight</b>	0.8 kg

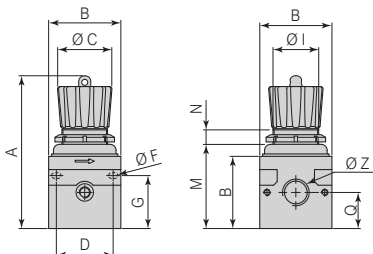
**Dimensions**

Size - Ø Z	Code	A	B	D	Ø E	Ø F
Gas 1/2"	AS R 2 P	84	60	46	Gas 1/8"	5.5
		<b>G</b>	<b>H</b>	<b>Ø I</b>	<b>Q</b>	
		44	30	M38x2	30	

AS R ... P / Body in painted zinc alloy and aluminium - 1 piece per pack

**SHUT-OFF VALVE**

Manual operation



**Technical characteristics**

<b>Code</b>	AS VS 2
<b>Connections</b>	Gas 1/2"
<b>Air flow rate</b>	3000 NI/min (at 6 bar)
<b>Maximum inlet pressure</b>	18 bar
<b>Operating temperature</b>	0°C ÷ +50°C
<b>Weight</b>	0.8 kg

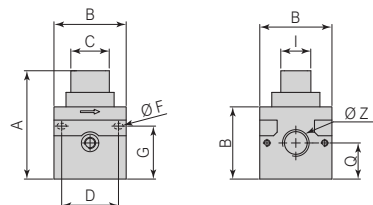
**Dimensions**

Size - Ø Z	Code	A	B	D	Ø F	G
Gas 1/2"	AS VS 2	127	60	46	5.5	44
		<b>Ø I</b>	<b>M</b>	<b>N</b>	<b>Q</b>	
		M38x2	70	12	30	

AS VS ... / Body in painted zinc and aluminium alloy, control in technopolymers - 1 piece per pack

**SHUT-OFF VALVE**

Pneumatic operation



**Technical characteristics**

<b>Code</b>	AS VS 2 P
<b>Connections</b>	Gas 1/2"
<b>Air flow rate</b>	3000 NI/min (at 6 bar)
<b>Maximum inlet pressure</b>	18 bar
<b>Operating temperature</b>	0°C ÷ +50°C
<b>Weight</b>	0.8 kg

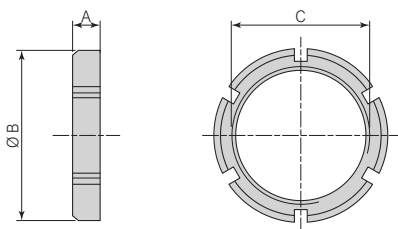
**Dimensions**

Size - Ø Z	Code	A	B	C	D
Gas 1/2"	AS VS 2 P	90	60	32	46
		<b>Ø F</b>	<b>G</b>	<b>I</b>	<b>Q</b>
		5.5	44	25	30

AS VS ... P/ Body in painted zinc and aluminium alloy, control in aluminium - 1 piece per pack

**REGULATOR RING NUT**

For: AS FL - AS FRL - AS FR - AS R

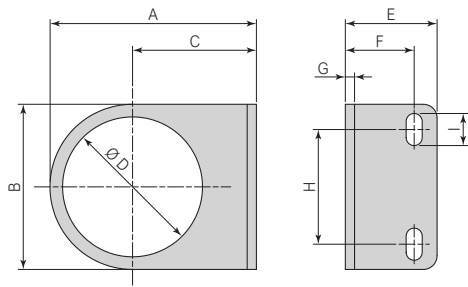


Size	Code	A	Ø B	C
Gas 1/4"	RG 4	6	40	M30x1.5
Gas 1/2"	RG 2	6	50	M38x2.0
Gas 1"	RG 1	7.5	70	M55x2.0

Black technopolymer ring nut / 1 piece per pack

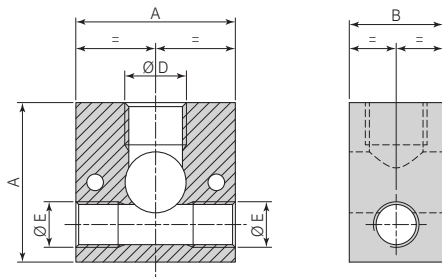
**AS SERIES ACCESSORIES**
**FASTENING BRACKET**

For: AS FL - AS FRL - AS FR - AS R



Size	Code	A	B	C	Ø D	E	F	G	H	I
Gas 1/4"	SG-4	56	49	32	30.5	28	13	2	20	12
Gas 1/2"	SG-2	68	60	42	40.5	30	15	2	40	12

Galvanised steel bracket / 1 piece per pack

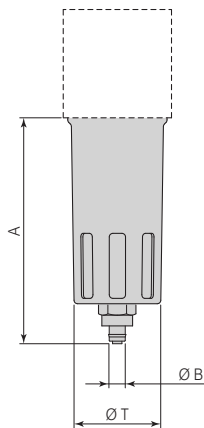
**DEVIATION INSERT**


Size	Code	A	B	Ø D	Ø E
Gas 1/4"	ZS-4	42	20	Gas 1/4"	Gas 1/8"
Gas 1/2"	ZS-2	60	25	Gas 1/4"	Gas 1/8"
Gas 1"	ZS-1	80	25	Gas 1/4"	Gas 1/4"

Anodised aluminium insert / 1 piece per pack

**CONDENSATE DRAIN**

Automatic

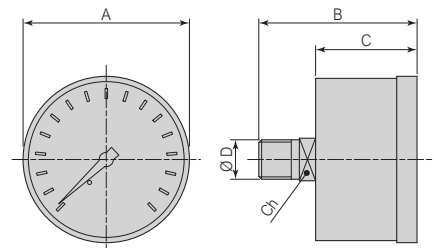


Size	Code	A	Ø B	Ø T
Gas 1/4"	S-4	106	8	37
Gas 1/2"	S-2	132	8	51
Gas 1"	S-1	162	8	76

Zinc alloy and painted aluminium bowl, brass drainage, NBR gasket / 1 piece per pack

**PRESSURE GAUGES**

Ø 40 - Ø 50 - Ø 63



Size	Code	Scale	A	B	C	Ø D	Ch
Gas 1/4"	M 4 04	0 ÷ 4	40	37	24.5	Gas 1/8"	12
	M 4 06	0 ÷ 6					
	M 4 10	0 ÷ 10					
Gas 1/2"	M 4 12	0 ÷ 12	50	46	27.5	Gas 1/8"	14
	M 5 04	0 ÷ 4					
	M 5 10	0 ÷ 10					
Gas 1"	M 5 12	0 ÷ 12	63	46	27.5	Gas 1/4"	14
	M 6 04	0 ÷ 4					
	M 6 06	0 ÷ 6					
	M 6 10	0 ÷ 10					
	M 6 12	0 ÷ 12					

Black plastic body - clear, threaded connection / 1 piece per pack



# Air treatment units - BK0 Series

Connections: 1/4" - 3/8" - 1/2" - 3/4" - 1"

## BK0 SERIES



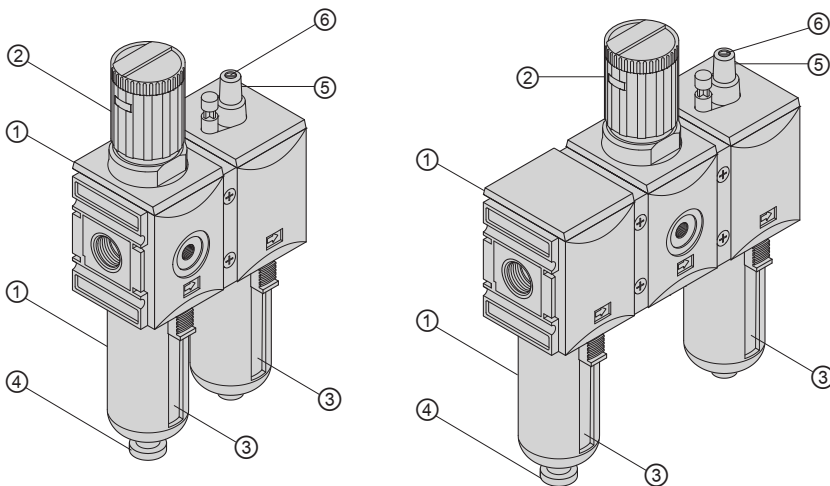
- Adjustment knob lock function
- High quality compact design
- Body in fibre-reinforced PA66
- Clear technopolymer bowl
- Semi-automatic condensate drain
- Modular assembly with interchangeable elements

### TECHNICAL CHARACTERISTICS

<b>Functions</b>	Filter - Pressure regulator - Lubricator							
<b>Adjustment</b>	Manual							
<b>Materials</b>	Body in fibre-reinforced PA66. Technopolymer adjustment knob Clear technopolymer bowl. Components in passivated brass, die-cast aluminium, steel spring. Sintered plastic polymer cartridge - NBR gaskets							
<b>Note on materials</b>	Compliant with REACH (1907/2006/EC and subsequent amendments)							
<b>Connections</b>	Size 0: 1/4" Gas Size 1: 1/4" Gas - 3/8" Gas Size 2: 3/8" Gas - 1/2" Gas Size 4: 3/4" Gas - 1" Gas							
<b>Threads</b>	Cylindrical gases (BSPP)							
<b>Operating temperature</b>	0°C ÷ +50°C (-10°C with dry air, to avoid ice formation)							
<b>Group</b>			Regulator filter + Lubricator	Filter + Regulator + Lubricator	Regulator filter	Regulator	Filter	Lubricator
<b>Coding</b>	Size	Connection	BK0. FR+L ...	BK0. FRL ...	BK0. FR ...	BK0. R ...	BK0. F ...	BK0. L ...
<b>Air flow rate</b>	0	1/4" Gas	600 NI/min	500 NI/min	1000 NI/min	1000 NI/min	950 NI/min	1400 NI/min
Supply pressure: 6 bar	1	1/4" Gas	1700 NI/min	1700 NI/min	2200 NI/min	2200 NI/min	2200 NI/min	2800 NI/min
(ΔP 1 bar)	1	3/8" Gas	1700 NI/min	1700 NI/min	2600 NI/min	2600 NI/min	2400 NI/min	2800 NI/min
	2	3/8" Gas	3500 NI/min	3500 NI/min	4300 NI/min	4300 NI/min	3500 NI/min	8000 NI/min
	2	1/2" Gas	3500 NI/min	3500 NI/min	5200 NI/min	5100 NI/min	3500 NI/min	8000 NI/min
	4	3/4" Gas	12000 NI/min	12000 NI/min	14000 NI/min	14000 NI/min	8000 NI/min	13000 NI/min
	4	1" Gas	12000 NI/min	12000 NI/min	14000 NI/min	14000 NI/min	8200 NI/min	13000 NI/min
<b>Filter element</b>			5 µm	5 µm	5 µm	-	5 µm	-
<b>Adjustment range</b>			0.1 ÷ 8 bar	0.1 ÷ 8 bar	0.1 ÷ 8 bar	0.1 ÷ 8 bar	-	-
<b>Maximum inlet pressure</b>	16 bar							
<b>Fluid</b>	Compressed air							

### MATERIALS - AIR TREATMENT UNITS BK0 SERIES

POS	DESCRIPTION	MATERIALS	POS	DESCRIPTION	MATERIALS
①	Body	Fibre-reinforced PA66	④	Condensate drain	Technopolymer and brass
②	Regulator unit	Black technopolymer	⑤	Dome	Clear technopolymer
③	Bowl	Clear technopolymer	⑥	Adjustment screw	Passivated brass

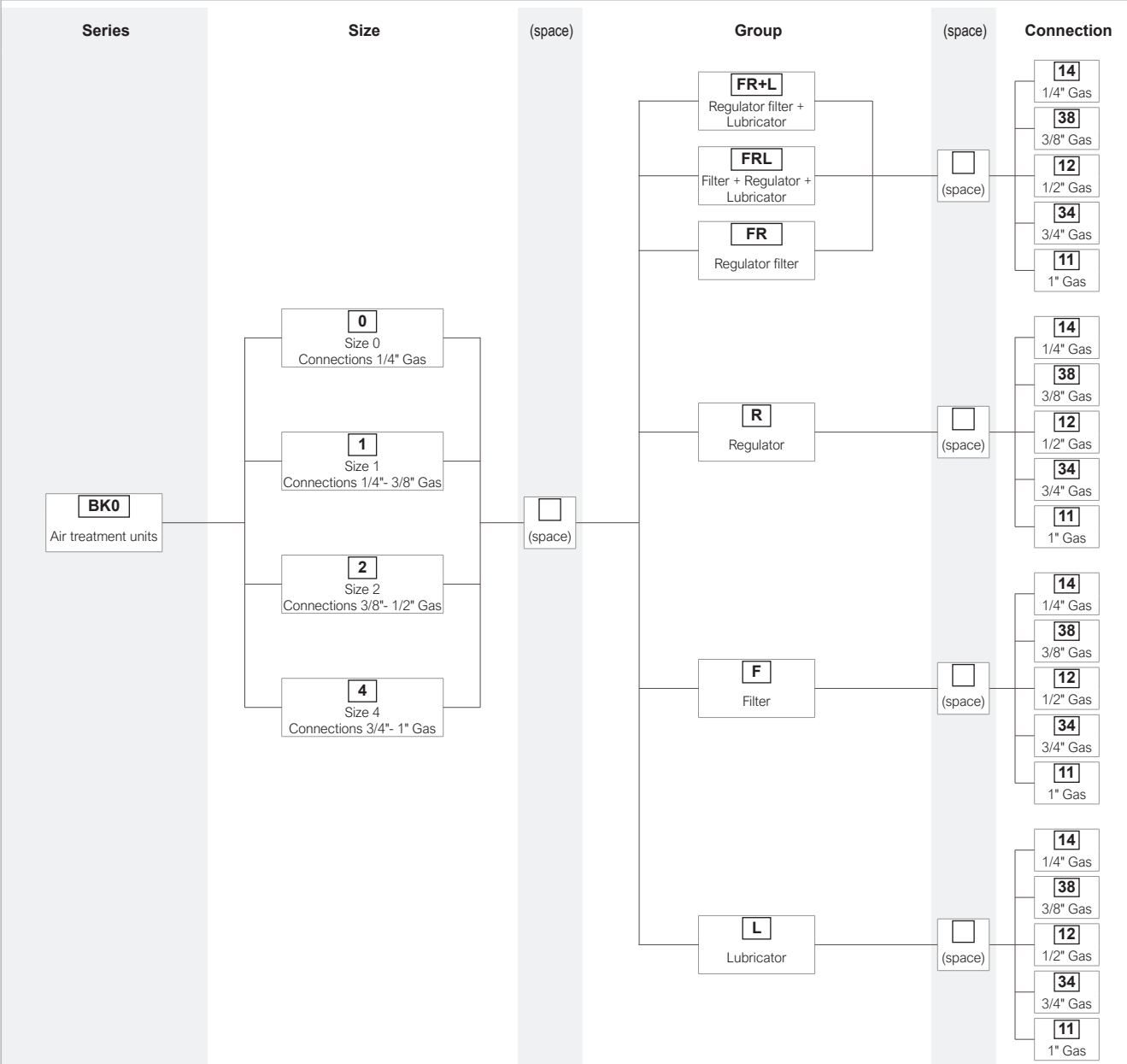




**CODING KEY - AIR TREATMENT UNITS BK0 SERIES**

Series	Size	(space)	Group	(space)	Connection
<b>BK0</b>	<b>0</b>	<input type="checkbox"/>	<b>FR+L</b>	<input type="checkbox"/>	<b>14</b>
<b>BK0</b> = Air treatment units	<b>0</b> = Size 0 - Connection 1/4" Gas <b>1</b> = Size 1 - Connection 1/4" - 3/8" Gas <b>2</b> = Size 2 - Connection 3/8" - 1/2" Gas <b>4</b> = Size 4 - Connection 3/4" - 1" Gas		<b>FL+L</b> += Regulator filter + Lubricator <b>FRL</b> = Filter + regulator + Lubricator <b>FR</b> = Regulator filter <b>R</b> = Regulator <b>F</b> = Filter <b>L</b> = Lubricator		<b>14</b> = 1/4" Gas <b>38</b> = 3/8" Gas <b>12</b> = 1/2" Gas <b>34</b> = 3/4" Gas <b>11</b> = 1" Gas

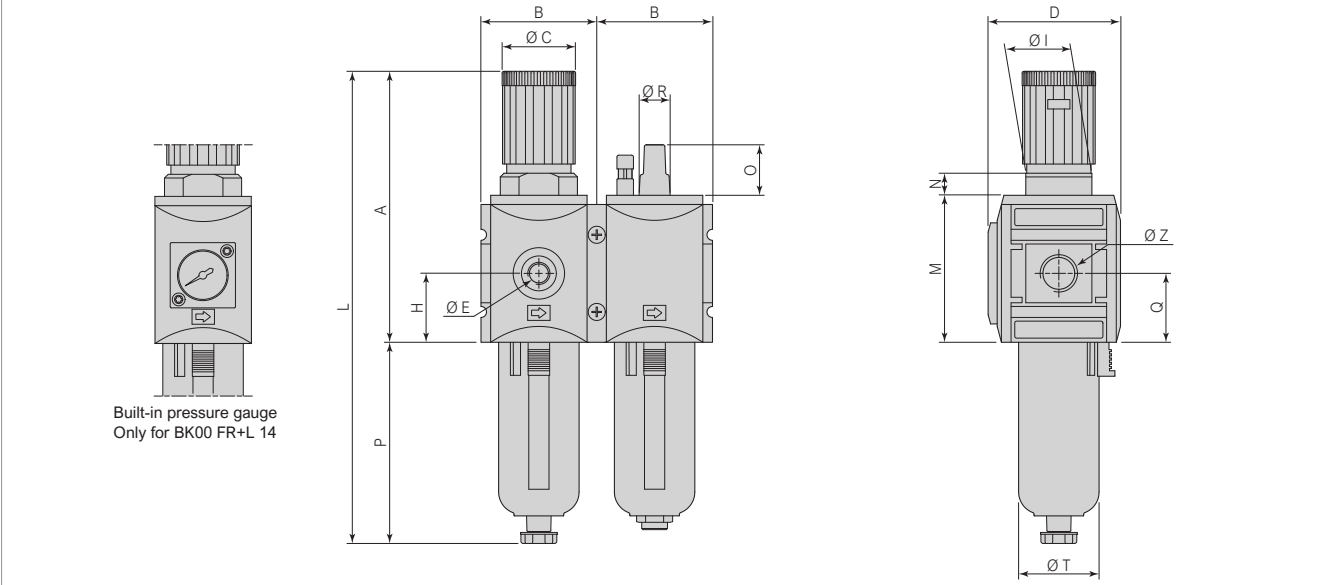
**POSSIBLE CONFIGURATIONS**



**4**  
AIR TREATMENT

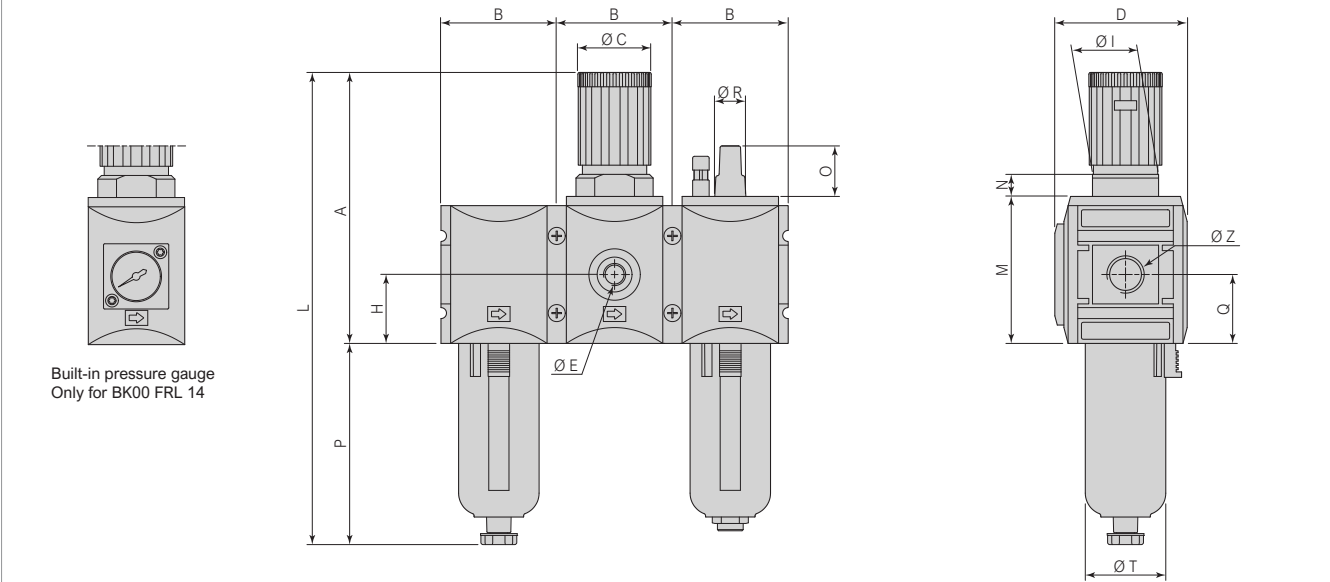
**DIMENSIONS - AIR TREATMENT UNITS BK0 SERIES**

**REGULATOR FILTER + LUBRICATOR**

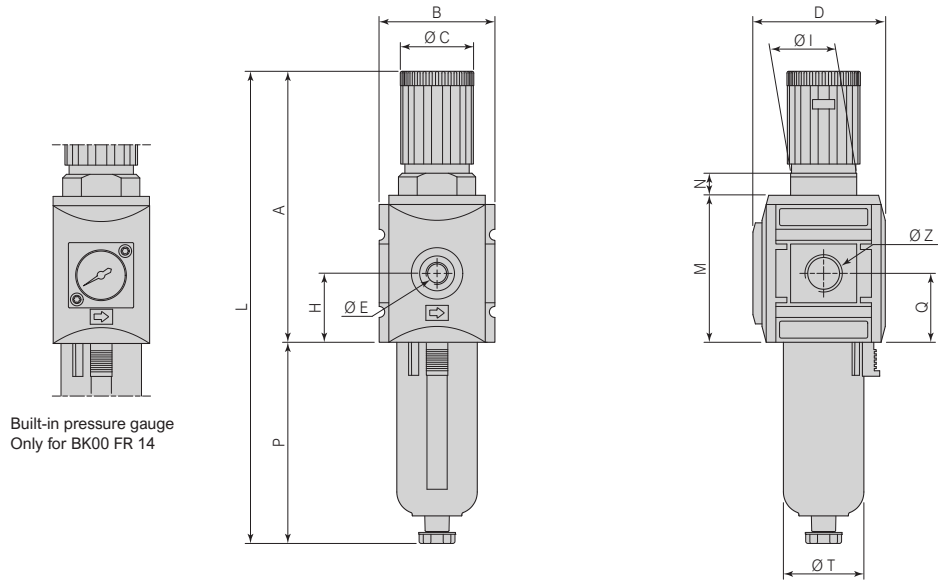


Symbol	Size	Code	Ø Z	A	B	Ø C	D	Ø E	H	Ø I	L	M	N	O	P	Q	Ø R	Ø T
	0	BK00 FR+L 14	Gas 1/4"	88	43	27	48	Gas 1/4"	25	M30x1.5	168	52	9	31	80	25	17	36
	1	BK01 FR+L 14	Gas 1/4"	129	52	34	54	Gas 1/4"	33	M36x1.5	226	67	10	30	97	33	17	38
	1	BK01 FR+L 38	Gas 3/8"	129	52	34	54	Gas 1/4"	33	M36x1.5	226	67	10	30	97	33	17	38
	2	BK02 FR+L 38	Gas 3/8"	150	63	40	67	Gas 1/4"	40	M42x1.5	257	83	12	27.5	107	40	17	44
	2	BK02 FR+L 12	Gas 1/2"	150	63	40	67	Gas 1/4"	40	M42x1.5	257	83	12	27.5	107	40	17	44
	4	BK04 FR+L 34	Gas 3/4"	191	85	40	93	Gas 1/4"	54	M50x2.0	326	112	23	30	135	54	17	60
	4	BK04 FR+L 11	Gas 1"	191	85	40	93	Gas 1/4"	54	M50x2.0	326	112	23	30	135	54	17	60

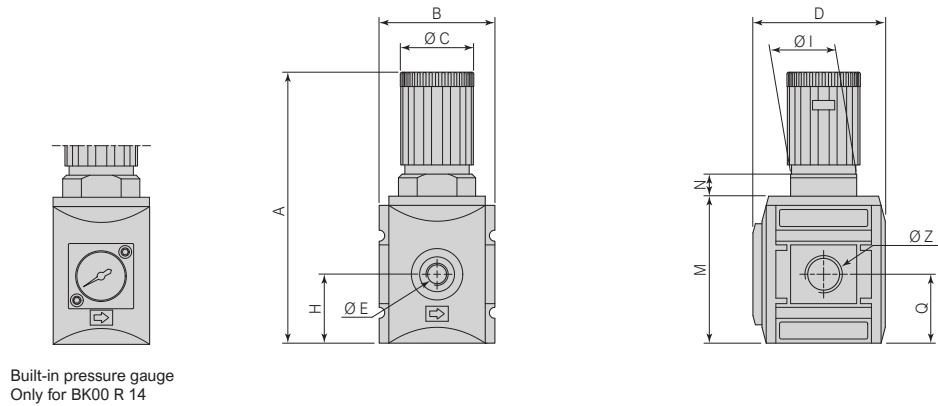
**FILTER + REGULATOR + LUBRICATOR**



Symbol	Size	Code	Ø Z	A	B	Ø C	D	Ø E	H	Ø I	L	M	N	O	P	Q	Ø R	Ø T
	0	BK00 FRL 14	Gas 1/4"	88	43	27	48	Gas 1/4"	25	M30x1.5	168	52	9	31	80	25	17	36
	1	BK01 FRL 14	Gas 1/4"	129	52	34	54	Gas 1/4"	33	M36x1.5	226	67	10	30	97	33	17	38
	1	BK01 FRL 38	Gas 3/8"	129	52	34	54	Gas 1/4"	33	M36x1.5	226	67	10	30	97	33	17	38
	2	BK02 FRL 38	Gas 3/8"	150	63	40	67	Gas 1/4"	40	M42x1.5	257	83	12	27.5	107	40	17	44
	2	BK02 FRL 12	Gas 1/2"	150	63	40	67	Gas 1/4"	40	M42x1.5	257	83	12	27.5	107	40	17	44
	4	BK04 FRL 34	Gas 3/4"	191	85	40	93	Gas 1/4"	54	M50x2.0	326	112	23	30	135	54	17	60
	4	BK04 FRL 11	Gas 1"	191	85	40	93	Gas 1/4"	54	M50x2.0	326	112	23	30	135	54	17	60

**DIMENSIONS - AIR TREATMENT UNITS BK0 SERIES**
**REGULATOR FILTER**


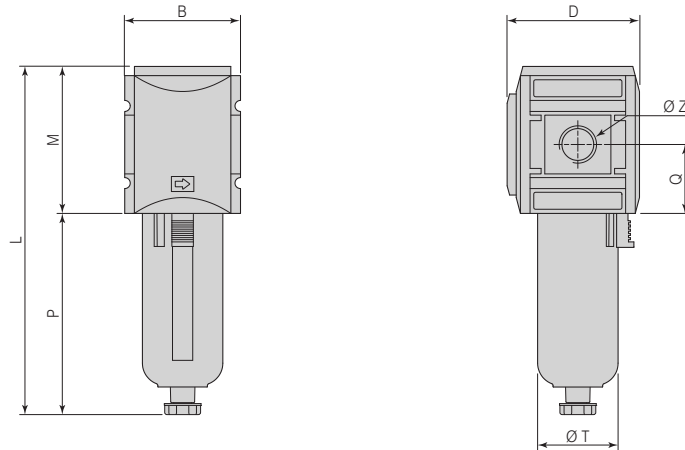
Symbol	Size	Code	Ø Z	A	B	Ø C	D	Ø E	H	Ø I	L	M	N	P	Q	Ø T
	0	BK00 FR 14	Gas 1/4"	88	43	27	48	Gas 1/4"	25	M30x1.5	168	52	9	80	25	36
	1	BK01 FR 14	Gas 1/4"	129	52	34	54	Gas 1/4"	33	M36x1.5	226	67	10	97	33	38
	1	BK01 FR 38	Gas 3/8"	129	52	34	54	Gas 1/4"	33	M36x1.5	226	67	10	97	33	38
	2	BK02 FR 38	Gas 3/8"	150	63	40	67	Gas 1/4"	40	M42x1.5	257	83	12	107	40	44
	2	BK02 FR 12	Gas 1/2"	150	63	40	67	Gas 1/4"	40	M42x1.5	257	83	12	107	40	44
	4	BK04 FR 34	Gas 3/4"	191	85	40	93	Gas 1/4"	54	M50x2.0	326	112	23	135	54	60
	4	BK04 FR 11	Gas 1"	191	85	40	93	Gas 1/4"	54	M50x2.0	326	112	23	135	54	60

**REGULATOR**


Symbol	Size	Code	Ø Z	A	B	Ø C	D	Ø E	H	Ø I	M	N	Q
	0	BK00 R 14	Gas 1/4"	88	43	27	48	Gas 1/4"	25	M30x1.5	52	9	25
	1	BK01 R 14	Gas 1/4"	129	52	34	54	Gas 1/4"	33	M36x1.5	67	10	33
	1	BK01 R 38	Gas 3/8"	129	52	34	54	Gas 1/4"	33	M36x1.5	67	10	33
	2	BK02 R 38	Gas 3/8"	150	63	40	67	Gas 1/4"	40	M42x1.5	83	12	40
	2	BK02 R 12	Gas 1/2"	150	63	40	67	Gas 1/4"	40	M42x1.5	83	12	40
	4	BK04 R 34	Gas 3/4"	191	85	40	93	Gas 1/4"	54	M50x2.0	112	23	54
	4	BK04 R 11	Gas 1"	191	85	40	93	Gas 1/4"	54	M50x2.0	112	23	54

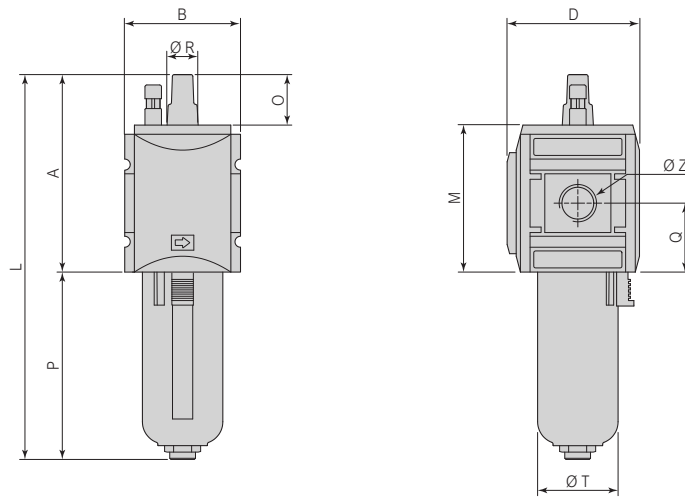
**DIMENSIONS - AIR TREATMENT UNITS BK0 SERIES**

**FILTER**



Symbol	Size	Code	Ø Z	B	D	L	M	P	Q	Ø T
	0	BK00 F 14	Gas 1/4"	43	48	132	52	80	25	36
	1	BK01 F 14	Gas 1/4"	52	54	164	67	97	33	38
	1	BK01 F 38	Gas 3/8"	52	54	164	67	97	33	38
	2	BK02 F 38	Gas 3/8"	63	67	190	83	107	40	44
	2	BK02 F 12	Gas 1/2"	63	67	190	83	107	40	44
	4	BK04 F 34	Gas 3/4"	85	93	247	112	135	54	60
	4	BK04 F 11	Gas 1"	85	93	247	112	135	54	60

**LUBRICATOR**



Symbol	Size	Code	Ø Z	A	B	Ø C	D	Ø E	H	Ø I	L	M	N	O	P	Q	Ø R	Ø T
	0	BK00 L 14	Gas 1/4"	83	43	27	48	Gas 1/4"	25	M30x1.5	156	52	9	31	73	25	17	36
	1	BK01 L 14	Gas 1/4"	97	52	34	54	Gas 1/4"	33	M36x1.5	186	67	10	30	89	33	17	38
	1	BK01 L 38	Gas 3/8"	97	52	34	54	Gas 1/4"	33	M36x1.5	186	67	10	30	89	33	17	38
	2	BK02 L 38	Gas 3/8"	110	63	40	67	Gas 1/4"	40	M42x1.5	210	83	12	27.5	100	40	17	44
	2	BK02 L 12	Gas 1/2"	110	63	40	67	Gas 1/4"	40	M42x1.5	210	83	12	27.5	100	40	17	44
	4	BK04 L 34	Gas 3/4"	142	85	40	93	Gas 1/4"	54	M50x2.0	271	112	23	30	129	54	17	60
	4	BK04 L 11	Gas 1"	142	85	40	93	Gas 1/4"	54	M50x2.0	271	112	23	30	129	54	17	60



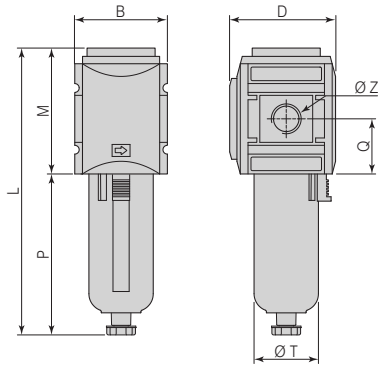


**BK0 SERIES ACCESSORIES**

		DERIVATION BLOCK "T"	NON-RETURN VALVE	FASTENING RING NUT	ASSEMBLY AND FASTENING KIT	ASSEMBLY KIT	FASTENING BRACKET	ASSEMBLY BRACKET
<b>Size</b>	<b>Connections</b>	Page 4.3.05.11	Page 4.3.05.12	-	Page 4.3.05.13	Page 4.3.05.13	Page 4.3.05.13	Page 4.3.05.13
0	Gas 1/4"	BK00 DT 14	BK00 UD 14	BK00 GH	BK00 SM 14	BK00 SS 14	BK00 SP	BK00 SF
1	Gas 1/4"	BK01 DT 14	BK01 UD 14	BK01 GH	BK01 SM 14	BK01 SS 14	BK01 SP	BK01 SF
1	Gas 3/8"	BK01 DT 38	BK01 UD 38	BK01 GH	BK01 SM 38	BK01 SS 38	BK01 SP	BK01 SF
2	Gas 3/8"	BK02 DT 38	BK02 UD 38	BK02 GH	BK02 SM 38	BK02 SS 38	BK02 SP	BK02 SF
2	Gas 1/2"	BK02 DT 12	BK02 UD 12	BK02 GH	BK02 SM 12	BK02 SS 12	BK02 SP	BK02 SF
4	Gas 3/4"	BK04 DT 34	BK04 UD 34	BK04 GH	BK04 SM 34	BK04 SS 34	-	BK04 SF
4	Gas 1"	BK04 DT 1	BK04 UD 1	BK04 GH	BK04 SM 1	BK04 SS 1	-	BK04 SF
		PA66 body	PA66 body	Black technopolymer ring nut	PA66 bracket Steel screws NBR gasket	PA66 bracket Steel screws NBR gasket	Galvanised steel	Galvanised steel
		METAL BOWL With level and drain indicator	AUTOMATIC CONDENSATE DRAIN		PRESSURE GAUGE	PRESSURE GAUGE		PADLOCK FOR REGULATOR
			Normally open	Normally closed	Size 0	Dial Ø50	Dial Ø63	
<b>Size</b>	<b>Connections</b>	Page 4.3.05.12	Page 4.3.05.12		Page 4.3.05.14	Page 4.3.05.14		
0	Gas 1/4"	BK00 TZM						
1	Gas 1/4"	BK01 TZM						
1	Gas 3/8"	BK01 TZM	BK SA	BK SA NC	M Q ...	MA 5 ... 1/4	MA 6 ... 1/4	BK LK 1
2	Gas 3/8"	BK02 TZM						BK LK 2
2	Gas 1/2"	BK02 TZM						
4	Gas 3/4"	BK04 TZM						
4	Gas 1"	BK04 TZM						
		Metal and technopolymer body NBR gaskets	Components in PA66 and brass NBR gaskets		Black plastic body Clear plastic dial	Black plastic body Clear plastic dial Brass threaded connection		-
<b>SPRING</b>								
<b>Size 0</b>		<b>Size 1</b>		<b>Size 2</b>		<b>Size 4</b>		
BK00 ML 04	0.2 ÷ 4 bar	BK01 ML 04	0.1 ÷ 1 bar	BK02 ML 04	0.1 ÷ 1 bar	BK04 ML 04	0.1 ÷ 1 bar	
BK00 ML 08	0.5 ÷ 8 bar	BK01 ML 02	0.1 ÷ 2 bar	BK02 ML 02	0.1 ÷ 2 bar	BK04 ML 02	0.1 ÷ 2 bar	
BK00 ML 10	0.5 ÷ 10 bar	BK01 ML 04	0.2 ÷ 4 bar	BK02 ML 04	0.2 ÷ 4 bar	BK04 ML 04	0.2 ÷ 4 bar	
		BK01 ML 08	0.5 ÷ 8 bar	BK02 ML 08	0.5 ÷ 8 bar	BK04 ML 08	0.5 ÷ 8 bar	
		BK01 ML 10	0.2 ÷ 10 bar	BK02 ML 10	0.2 ÷ 10 bar	BK04 ML 10	0.2 ÷ 10 bar	
		BK01 ML 16	0.5 ÷ 16 bar	BK02 ML 16	0.5 ÷ 16 bar	BK04 ML 16	0.5 ÷ 16 bar	
Harmonic steel								
<b>ADJUSTABLE PRESURE SWITCH</b>	<b>BOBF ...</b> "F" type coil AC / DC	<b>CNN3</b> Connector for "F" type coil	<b>CNN3 ... LED</b> LED connector for "F" type coil					
Page 4.3.05.15	Page 4.3.05.15	Page 4.3.05.15	Page 4.3.05.15					
F4 S1 M2	BOBF..	CNN3	CNN3 ... LED					
	Resin body NBR gaskets	PA6 GF body	PA6 GF - PA12 body					

**BK0 SERIES ACCESSORIES**
**PREFILTER**

	Technical characteristics						
<b>Code</b>	<b>BK00 PF 14</b>	<b>BK01 PF 14</b>	<b>BK01 PF 38</b>	<b>BK02 PF 38</b>	<b>BK02 PF 12</b>	<b>BK04 PF 34</b>	<b>BK04 PF 11</b>
<b>Size</b>	0	1	1	2	2	4	4
<b>Connections</b>	Gas 1/4"	Gas 1/4"	Gas 3/8"	Gas 3/8"	Gas 1/2"	Gas 3/4"	Gas 1"
<b>Air flow rate</b>	350 NI/min	500 NI/min	500 NI/min	580 NI/min	580 NI/min	1500 NI/min	1500 NI/min
<b>Operating pressure</b>	1.5 ÷ 12 bar	1.5 ÷ 16 bar	1.5 ÷ 16 bar	1.5 ÷ 16 bar	1.5 ÷ 16 bar	1.5 ÷ 16 bar	1.5 ÷ 16 bar
<b>Purification level</b>	0.3 µm - 99.999%						
<b>Operating temperature</b>	0°C ÷ +50°C						

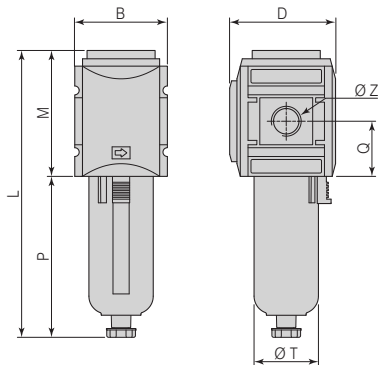

**Dimensions**

Size	Code	Ø Z	B	D	L	M	P	Q	Ø T
0	BK00 PF 14	Gas 1/4"	43	48	132	52	80	25	36
1	BK01 PF 14	Gas 1/4"	52	54	169	70	99	31	38
1	BK01 PF 38	Gas 3/8"	52	54	166	70	99	31	38
2	BK02 PF 38	Gas 3/8"	63	67	195	85.5	109.5	37.5	44
2	BK02 PF 12	Gas 1/2"	63	67	195	85.5	109.5	37.5	44
4	BK04 PF 34	Gas 3/4"	85	93	252	114	138	51	60
4	BK04 PF 11	Gas 1"	85	93	252	114	138	51	60

BK... PF ... / PA66 body Clear technopolymer bowl - 1 piece per pack

**FINE FILTER**

	Technical characteristics						
<b>Code</b>	<b>BK00 FF 14</b>	<b>BK01 FF 14</b>	<b>BK01 FF 38</b>	<b>BK02 FF 38</b>	<b>BK02 FF 12</b>	<b>BK04 FF 34</b>	<b>BK04 FF 11</b>
<b>Size</b>	0	1	1	2	2	4	4
<b>Connections</b>	Gas 1/4"	Gas 1/4"	Gas 3/8"	Gas 3/8"	Gas 1/2"	Gas 3/4"	Gas 1"
<b>Air flow rate</b>	350 NI/min	350 NI/min	350 NI/min	500 NI/min	500 NI/min	1500 NI/min	1500 NI/min
<b>Operating pressure</b>	1.5 ÷ 12 bar	1.5 ÷ 16 bar	1.5 ÷ 16 bar	1.5 ÷ 16 bar	1.5 ÷ 16 bar	1.5 ÷ 16 bar	1.5 ÷ 16 bar
<b>Purification level</b>	0.01 µm - 99.999%						
<b>Operating temperature</b>	0°C ÷ +50°C						


**Dimensions**

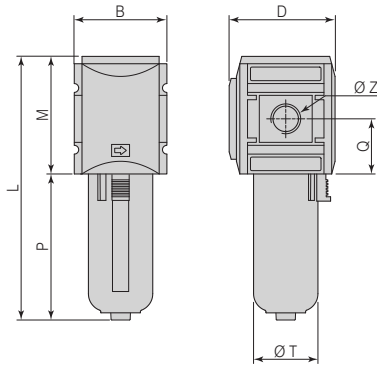
Size	Code	Ø Z	B	D	L	M	P	Q	Ø T
0	BK00 FF 14	Gas 1/4"	43	48	132	52	80	25	36
1	BK01 FF 14	Gas 1/4"	52	54	164	67	97	33	38
1	BK01 FF 38	Gas 3/8"	52	54	164	67	97	33	38
2	BK02 FF 38	Gas 3/8"	63	67	190	83	107	40	44
2	BK02 FF 12	Gas 1/2"	63	67	190	83	107	40	44
4	BK04 FF 34	Gas 3/4"	85	93	247	112	135	54	60
4	BK04 FF 11	Gas 1"	85	93	247	112	135	54	60

BK... FF ... / PA66 body Clear technopolymer bowl - 1 piece per pack

## BK0 SERIES ACCESSORIES

### ACTIVATED CARBON FILTER

	Technical characteristics						
<b>Code</b>	<b>BK00 FFC 14</b>	<b>BK01 FFC 14</b>	<b>BK01 FFC 38</b>	<b>BK02 FFC 38</b>	<b>BK02 FFC 12</b>	<b>BK04 FFC 34</b>	<b>BK04 FFC 11</b>
<b>Size</b>	0	1	1	2	2	4	4
<b>Connections</b>	Gas 1/4"	Gas 1/4"	Gas 3/8"	Gas 3/8"	Gas 1/2"	Gas 3/4"	Gas 1"
<b>Air flow rate</b>	600 NI/min	650 NI/min	650 NI/min	1300 NI/min	1300 NI/min	2000 NI/min	2000 NI/min
<b>Operating pressure</b>	1.5 ÷ 12 bar	1.5 ÷ 16 bar	1.5 ÷ 16 bar	1.5 ÷ 16 bar	1.5 ÷ 16 bar	1.5 ÷ 16 bar	1.5 ÷ 16 bar
<b>Purification level</b>	0.3 µm - 99.999%						
<b>Operating temperature</b>	0°C ÷ +50°C						



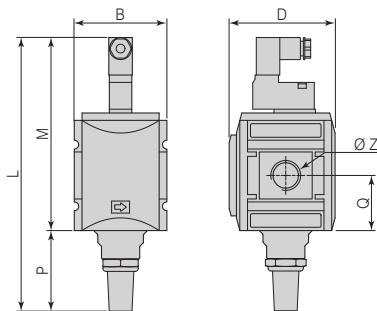
#### Dimensions

Size	Code	Ø Z	B	D	L	M	P	Q	Ø T
0	BK00 FFC 14	Gas 1/4"	43	48	132	52	80	25	36
1	BK01 FFC 14	Gas 1/4"	52	54	157	58	99	31	38
1	BK01 FFC 38	Gas 3/8"	52	54	157	58	99	31	38
2	BK02 FFC 38	Gas 3/8"	63	67	184	80	104	37	44
2	BK02 FFC 12	Gas 1/2"	63	67	184	80	104	37	44
4	BK04 FFC 34	Gas 3/4"	85	93	242	109	191	51	60
4	BK04 FFC 11	Gas 1"	85	93	242	109	191	51	60

BK... FFC ... / PA66 body Clear technopolymer bowl - 1 piece per pack

### SHUT-OFF VALVE

Electric	Technical characteristics						
<b>Code</b>	<b>BK00 ECV 14</b>	<b>BK01 ECV 14</b>	<b>BK01 ECV 38</b>	<b>BK02 ECV 38</b>	<b>BK02 ECV 12</b>	<b>BK04 ECV 34</b>	<b>BK04 ECV 11</b>
<b>Size</b>	0	1	1	2	2	4	4
<b>Connections</b>	Gas 1/4"	Gas 1/4"	Gas 3/8"	Gas 3/8"	Gas 1/2"	Gas 3/4"	Gas 1"
<b>Air flow rate</b>	2000 NI/min	2000 NI/min	2000 NI/min	4300 NI/min	4300 NI/min	12500 NI/min	12500 NI/min
<b>Operating pressure</b>	1.5 ÷ 12 bar	1.5 ÷ 16 bar	1.5 ÷ 16 bar	1.5 ÷ 16 bar	1.5 ÷ 16 bar	1.5 ÷ 16 bar	1.5 ÷ 16 bar
<b>Operation</b>	Electro-pneumatic - Standard voltage 24 Vdc (Other voltages see p. 4.3.05.15)						
<b>Operating temperature</b>	0°C ÷ +50°C						



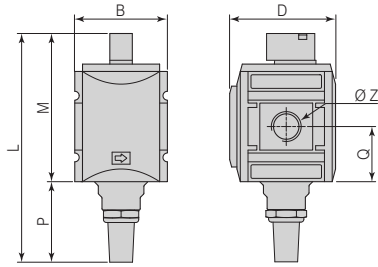
#### Dimensions

Size	Code	Ø Z	B	D	L	M	P	Q
0	BK00 ECV 14	Gas 1/4"	43	48	138	118	20	25
1	BK01 ECV 14	Gas 1/4"	52	54	118	85	-	33
1	BK01 ECV 38	Gas 3/8"	52	54	118	85	-	33
2	BK02 ECV 38	Gas 3/8"	63	67	151	134	17	40
2	BK02 ECV 12	Gas 1/2"	63	67	151	134	17	40
4	BK04 ECV 34	Gas 3/4"	85	93	213	165	48	54
4	BK04 ECV 11	Gas 1"	85	93	213	165	48	54

BK... ECV ... / PA66 body - 1 piece per pack

**BK0 SERIES ACCESSORIES**
**SHUT-OFF VALVE**

Pneumatics	Technical characteristics						
<b>Code</b>	<b>BK00 PCV 14</b>	<b>BK01 PCV 14</b>	<b>BK01 PCV 38</b>	<b>BK02 PCV 38</b>	<b>BK02 PCV 12</b>	<b>BK04 PCV 34</b>	<b>BK04 PCV 11</b>
<b>Size</b>	0	1	1	2	2	4	4
<b>Connections</b>	Gas 1/4"	Gas 1/4"	Gas 3/8"	Gas 3/8"	Gas 1/2"	Gas 3/4"	Gas 1"
<b>Air flow rate</b>	2000 NI/min	2000 NI/min	2000 NI/min	4300 NI/min	4300 NI/min	12500 NI/min	12500 NI/min
<b>Operating pressure</b>	1.5 ÷ 12 bar	1.5 ÷ 16 bar	1.5 ÷ 16 bar	1.5 ÷ 16 bar	1.5 ÷ 16 bar	1.5 ÷ 16 bar	1.5 ÷ 16 bar
<b>Operation</b>	Pneumatic						
<b>Operating temperature</b>	0°C ÷ +50°C						

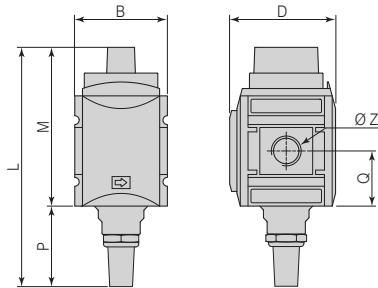

**Dimensions**

Size	Code	Ø Z	B	D	L	M	P	Q
0	BK00 PCV 14	Gas 1/4"	43	48	105	85	20	25
1	BK01 PCV 14	Gas 1/4"	52	54	83	83	-	33
1	BK01 PCV 38	Gas 3/8"	52	54	83	83	-	33
2	BK02 PCV 38	Gas 3/8"	63	67	153	98	55	37
2	BK02 PCV 12	Gas 1/2"	63	67	153	98	55	37
4	BK04 PCV 34	Gas 3/4"	85	93	180	129	51	51
4	BK04 PCV 11	Gas 1"	85	93	180	129	51	51

BK... PCV ... / PA66 body - 1 piece per pack

**SHUT-OFF VALVE**

Manual	Technical characteristics						
<b>Code</b>	<b>BK00 VS 14</b>	<b>BK01 VS 14</b>	<b>BK01 VS 38</b>	<b>BK02 VS 38</b>	<b>BK02 VS 12</b>	<b>BK04 VS 34</b>	<b>BK04 VS 11</b>
<b>Size</b>	0	1	1	2	2	4	4
<b>Connections</b>	Gas 1/4"	Gas 1/4"	Gas 3/8"	Gas 3/8"	Gas 1/2"	Gas 3/4"	Gas 1"
<b>Air flow rate</b>	2600 NI/min	1900 NI/min	1900 NI/min	5000 NI/min	5000 NI/min	14000 NI/min	14000 NI/min
<b>Operating pressure</b>	1.5 ÷ 12 bar	1.5 ÷ 16 bar	1.5 ÷ 16 bar	1.5 ÷ 16 bar	1.5 ÷ 16 bar	1.5 ÷ 16 bar	1.5 ÷ 16 bar
<b>Operation</b>	Manual						
<b>Operating temperature</b>	0°C ÷ +50°C						


**Dimensions**

Size	Code	Ø Z	B	D	L	M	P	Q
0	BK00 VS 14	Gas 1/4"	43	48	79	68	11	25
1	BK01 VS 14	Gas 1/4"	52	54	88	86	2	31
1	BK01 VS 38	Gas 3/8"	52	54	88	86	2	31
2	BK02 VS 38	Gas 3/8"	63	67	127	107	20	37
2	BK02 VS 12	Gas 1/2"	63	67	127	107	20	37
4	BK04 VS 34	Gas 3/4"	85	93	211	145	66	51
4	BK04 VS 11	Gas 1"	85	93	211	145	66	51

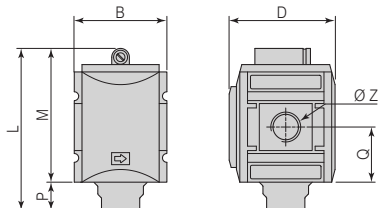
BK... VS ... / PA66 body technopolymer control - 1 piece per pack



**BK0 SERIES ACCESSORIES**

**SOFT STARTER VALVE**

Pneumatics	Technical characteristics						
<b>Code</b>	<b>BK00 AP 14</b>	<b>BK01 AP 14</b>	<b>BK01 AP 38</b>	<b>BK02 AP 38</b>	<b>BK02 AP 12</b>	<b>BK04 AP 34</b>	<b>BK04 AP 11</b>
<b>Size</b>	0	1	1	2	2	4	4
<b>Connections</b>	Gas 1/4"	Gas 1/4"	Gas 3/8"	Gas 3/8"	Gas 1/2"	Gas 3/4"	Gas 1"
<b>Air flow rate</b>	2000 NI/min	1900 NI/min	1900 NI/min	4400 NI/min	4400 NI/min	10000 NI/min	10000 NI/min
<b>Operating pressure</b>	2.5 ÷ 12 bar	2.5 ÷ 16 bar	2.5 ÷ 16 bar	2.5 ÷ 16 bar	2.5 ÷ 16 bar	2.5 ÷ 16 bar	2.5 ÷ 16 bar
<b>Exchange pressure</b>	50% of operating pressure (for closed systems only)						
<b>Operating temperature</b>	0°C ÷ +50°C						

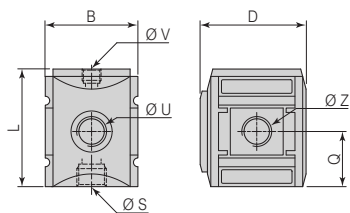


Dimensions									
Size	Code	Ø Z	B	D	L	M	P	Q	
0	BK00 AP 14	Gas 1/4"	43	48	105	85	20	25	
1	BK01 AP 14	Gas 1/4"	52	54	83	83	-	33	
1	BK01 AP 38	Gas 3/8"	52	54	83	83	-	33	
2	BK02 AP 38	Gas 3/8"	63	67	153	98	55	37	
2	BK02 AP 12	Gas 1/2"	63	67	153	98	55	37	
4	BK04 AP 34	Gas 3/4"	85	93	180	129	51	51	
4	BK04 AP 11	Gas 1"	85	93	180	129	51	51	

BK... AP ... / PA66 body - 1 piece per pack

**"T" DERIVATION BLOCK**

Electric	Technical characteristics						
<b>Code</b>	<b>BK00 DT 14</b>	<b>BK01 DT 14</b>	<b>BK01 DT 38</b>	<b>BK02 DT 38</b>	<b>BK02 DT 12</b>	<b>BK04 DT 34</b>	<b>BK04 DT 11</b>
<b>Size</b>	0	1	1	2	2	4	4
<b>Connections</b>	Gas 1/4"	Gas 1/4"	Gas 3/8"	Gas 3/8"	Gas 1/2"	Gas 3/4"	Gas 1"
<b>Air flow rate</b>	2700 NI/min	2700 NI/min	2700 NI/min	7250 NI/min	7250 NI/min	18000 NI/min	18000 NI/min
<b>Air flow from Z to S</b>	950 NI/min	2000 NI/min	2000 NI/min	5500 NI/min	5500 NI/min	12000 NI/min	12000 NI/min
<b>Air flow from Z to V</b>	2000 NI/min	2000 NI/min	2000 NI/min	2250 NI/min	2250 NI/min	8500 NI/min	8500 NI/min
<b>Air flow from Z to U</b>	-	900 NI/min	900 NI/min	2300 NI/min	2300 NI/min	-	-
<b>Operating pressure</b>	0 ÷ 12 bar	0 ÷ 16 bar	0 ÷ 16 bar	0 ÷ 16 bar	0 ÷ 16 bar	0 ÷ 16 bar	0 ÷ 16 bar
<b>Operating temperature</b>	0°C ÷ +50°C						

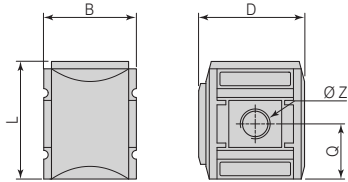


Dimensions										
Size	Code	Ø Z	B	D	L	Q	Ø S	Ø U	Ø V	
0	BK00 DT 14	Gas 1/4"	43	48	57	28	Gas 1/4"	-	Gas 1/4"	
1	BK01 DT 14	Gas 1/4"	52	54	66	31	Gas 1/4"	Gas 1/4"	Gas 1/4"	
1	BK01 DT 38	Gas 3/8"	52	54	66	31	Gas 1/4"	Gas 1/4"	Gas 1/4"	
2	BK02 DT 38	Gas 3/8"	63	67	81	38	Gas 3/8"	Gas 3/8"	Gas 1/4"	
2	BK02 DT 12	Gas 1/2"	63	67	81	38	Gas 3/8"	Gas 3/8"	Gas 1/4"	
4	BK04 DT 34	Gas 3/4"	85	93	110	51	Gas 3/4"	-	Gas 3/4"	
4	BK04 DT 11	Gas 1"	85	93	110	51	Gas 3/4"	-	Gas 3/4"	

BK... DT ... / PA66 body - 1 piece per pack

**BK0 SERIES ACCESSORIES**
**NON-RETURN VALVE**

Electric	Technical characteristics						
<b>Code</b>	BK00 UD 14	BK01 UD 14	BK01 UD 38	BK02 UD 38	BK02 UD 12	BK04 UD 34	BK04 UD 11
<b>Size</b>	0	1	1	2	2	4	4
<b>Connections</b>	Gas 1/4"	Gas 1/4"	Gas 3/8"	Gas 3/8"	Gas 1/2"	Gas 3/4"	Gas 1"
<b>Air flow rate</b>	800 NI/min	1250 NI/min	1250 NI/min	4500 NI/min	4500 NI/min	16000 NI/min	16000 NI/min
<b>Operating pressure</b>	0.5 ÷ 12 bar	0.5 ÷ 16 bar	0.5 ÷ 16 bar	0.5 ÷ 16 bar	0.5 ÷ 16 bar	0.5 ÷ 16 bar	0.5 ÷ 16 bar
<b>Operating temperature</b>	0°C ÷ +50°C						

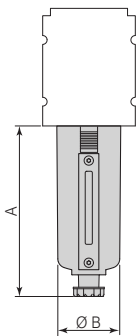

**Dimensions**

Size	Code	Ø Z	B	D	L	Q
0	BK00 UD 14	Gas 1/4"	43	48	66	39
1	BK01 UD 14	Gas 1/4"	52	54	67	33
1	BK01 UD 38	Gas 3/8"	52	54	67	33
2	BK02 UD 38	Gas 3/8"	63	67	81	38
2	BK02 UD 12	Gas 1/2"	63	67	81	38
4	BK04 UD 34	Gas 3/4"	85	93	112	54
4	BK04 UD 11	Gas 1"	85	93	112	54

BK... UD ... / PA66 body - 1 piece per pack

**METAL BOWL**

	Technical characteristics						
<b>Code</b>	BK00 TZM	BK01 TZM	BK01 TZM	BK02 TZM	BK02 TZM	BK04 TZM	BK04 TZM
<b>Size</b>	0	1	1	2	2	4	4
<b>Operating pressure</b>	0 ÷ 16 bar	0 ÷ 16 bar	0 ÷ 16 bar	0 ÷ 16 bar	0 ÷ 16 bar	0 ÷ 16 bar	0 ÷ 16 bar
<b>Operating temperature</b>	0°C ÷ +50°C						

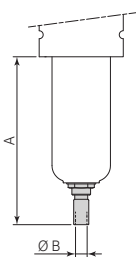

**Dimensions**

Size	Code	A	Ø B
0	BK00 UD 14	72	36
1	BK01 UD 14	98	38
1	BK01 UD 38	98	38
2	BK02 UD 38	110	44
2	BK02 UD 12	110	44
4	BK04 UD 34	140	60
4	BK04 UD 11	140	60

BK... TZM / Metal and technopolymer body, NBR gaskets - 1 piece per pack

**AUTOMATIC CONDENSATE DRAIN**

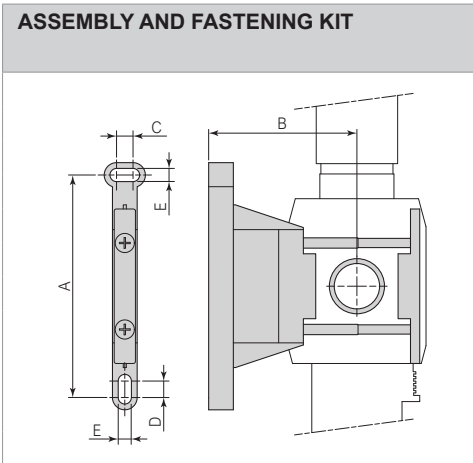
	Technical characteristics	
<b>Code</b>	BK SA	BK SA NC
<b>Size</b>	0 - 1 - 2 - 4	0 - 1 - 2 - 4
<b>Operation</b>	Normally open. Opening of the discharge valve in the absence of pressure or when the tank is full	Normally closed. Opening of the discharge valve only upon filling of the tank.
<b>Operating pressure</b>	1.5 ÷ 16 bar	1.5 ÷ 16 bar
<b>Operating temperature</b>	0°C ÷ +50°C	


**Dimensions**

Size	Code	A	Ø B
0	BK SA	108	Gas 1/8"
1		114	
2	BK SA NC	124.5	
4		153	

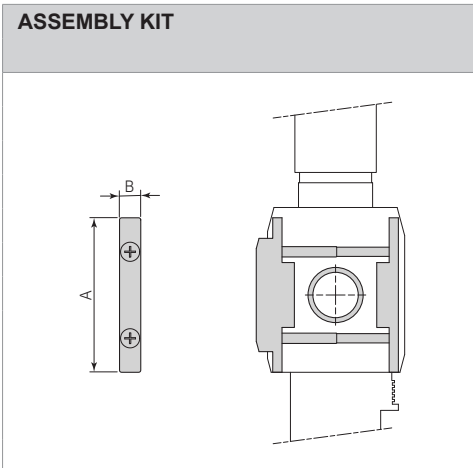
BK SA - BK SA NC / Brass body, technopolymer float, NBR gaskets - 1 piece per pack

**BK0 SERIES ACCESSORIES**



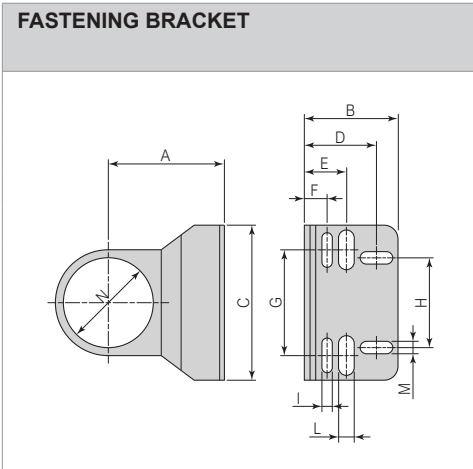
Size	Code	A	B	C	D	E
0	BK00 SM	98.6	48	5.6	7.3	5.4
1	BK01 SM	98.6	49.5	5.6	7.3	5.4
1	BK01 SM	98.6	49.5	5.6	7.3	5.4
2	BK02 SM	108	72	8	8	6.4
2	BK02 SM	108	72	8	8	6.4
4	BK04 SM	145	86.5	10	10	8.5
4	BK04 SM	145	86.5	10	10	8.5

BK... SM ... / PA66 bracket, galvanised steel screws, NBR gasket - 1 piece per pack



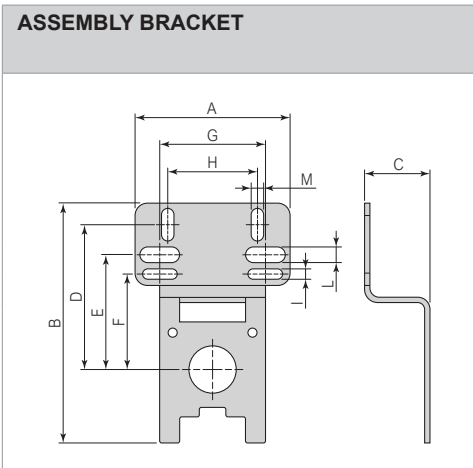
Size	Code	A	B
0	BK00 SS	50	6.8
1	BK01 SS	62	6.8
1	BK01 SS	62	6.8
2	BK02 SS	75	10.3
2	BK02 SS	75	10.3
4	BK04 SS	102	14.5
4	BK04 SS	102	14.5

BK... SS ... / PA66 bracket, galvanised steel screws, NBR gasket - 1 piece per pack



Size	Code	A	B	C	D	E	F	G	H	I	L	M	N
0	BK00 SP	48	43	65	33.8	21	13	44.4	38	4.2	6.6	5.4	31.2
1	BK01 SP	49.4	40	65	30.8	18	10	44.4	38	4.2	6.6	5.4	37.2
1	BK01 SP	49.4	40	65	30.8	18	10	44.4	38	4.2	6.6	5.4	37.2
2	BK02 SP	72	44	72	-	34	16	44	-	8.5	7	-	43.2
2	BK02 SP	72	44	72	-	34	16	44	-	8.5	7	-	43.2
4	-	-	-	-	-	-	-	-	-	-	-	-	-
4	-	-	-	-	-	-	-	-	-	-	-	-	-

BK... SP ... / Galvanised steel bracket - 1 piece per pack

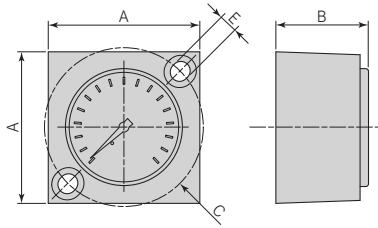


Size	Code	A	B	C	D	E	F	G	H	I	L	N
0	BK00 SF	65	92	28	57.8	45	37	44.4	38	4.2	6.6	5.4
1	BK01 SF	65	102	28	61.8	49	41	44.4	38	4.2	6.6	5.4
1	BK01 SF	65	102	28	61.8	49	41	44.4	38	4.2	6.6	5.4
2	BK02 SF	72	120	46	-	72.5	54.5	54	-	8.5	7	-
2	BK02 SF	72	120	46	-	72.5	54.5	54	-	8.5	7	-
4	BK04 SF	124	172	52	110	95	83	56	105	8.4	8.5	12
4	BK04 SF	124	172	52	110	95	83	56	105	8.4	8.5	12

BK... SF ... / Galvanised steel bracket - 1 piece per pack

**BK0 SERIES ACCESSORIES**
**PRESSURE GAUGES**

Size 0

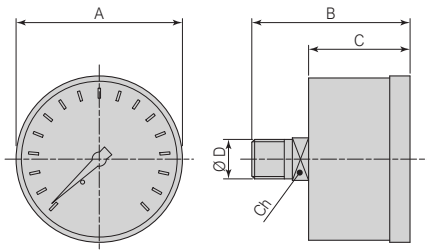


Size	Code	Scale bar	A	B	C	E
0	M Q 06	0 ÷ 6	27	16.5	28.5	3.3
1	M Q 12	0 ÷ 12				

M Q ... / Black plastic body - clear / 1 piece per pack

**PRESSURE GAUGES**

Size 1 - 2 - 4



Size	Code	Scale bar	A	B	C	Ø D	Ch
1	M 5 04	0 ÷ 4	49	45	26.5	Gas 1/4"	14
	M 5 10	0 ÷ 10					
	M 5 12	0 ÷ 12					
2	M 5 04	0 ÷ 4	63	50	31.5	Gas 1/4"	14
	M 5 10	0 ÷ 10					
	M 5 12	0 ÷ 12					

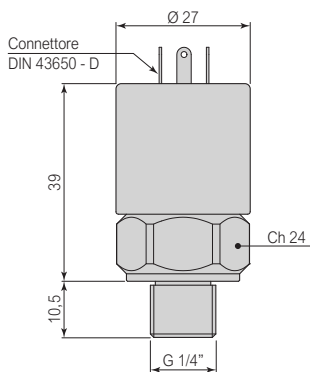
M 5 ... / Black plastic body - clear, brass threaded connection / 1 piece per pack



**ADJUSTABLE PRESSURE SWITCH**

**F4 S1 M2**

**Technical characteristics**



<b>Code</b>	F4 S1 M2
<b>Exchange pressure</b>	1 ÷ 10 bar
<b>Maximum pressure</b>	12 bar
<b>Connection</b>	Gas 1/4"
<b>Power (max.)</b>	0.5 A at 250 Vac
<b>Exchange contacts</b>	Normally open - Normally closed
<b>Electrical connection</b>	DIN 43650 form D
<b>Protection class</b>	IP65 (with connector and suitable gaskets)
<b>Material</b>	Galvanised steel body, technopolymer casing, NBR gasket

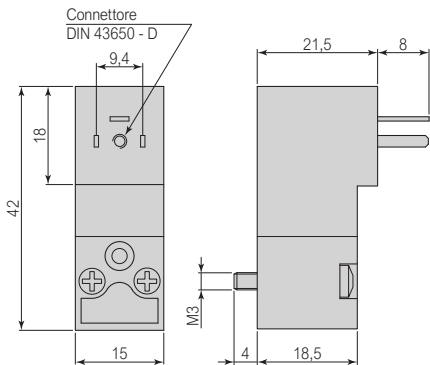
F4 S1 M2 / 1 piece per pack

**"F" type COILS (15 mm)**

**BOBF ...**

Direct current coils

**Technical characteristics**



<b>Code</b>	BOBF024DC
<b>Operating voltage</b>	24 VDC
<b>Power (max.)</b>	2.5 W
<b>Voltage tolerance</b>	±10% (of nominal voltage)
<b>Insulation class</b>	200°C (H)
<b>Insertion duration</b>	100% (at 20°C)
<b>Electrical connection</b>	DIN 43650 form D
<b>Version</b>	3/2 N.A.
<b>Work pressure</b>	0 ÷ 7 bar
<b>Protection class</b>	IP65 (with connector and suitable gaskets)
<b>Material</b>	RESIN body, NBR gasket, steel screws

BOBF... / 1 piece per pack

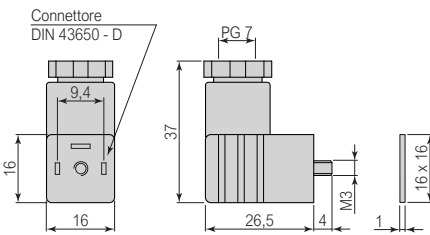
**CONNECTORS for "F" type coils and "F4 S1 M2" pressure switches**

**CNN3...**

Connector for "ES" type coils



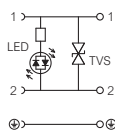
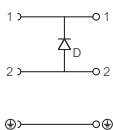
**Technical characteristics**



Code	CNN3	CNN3 2 LED	CNN3 4 LED	CNN3 5 LED
<b>Voltage</b>	0÷250 V AC/DC	24 V AC/DC	115 V AC/DC	230 V AC/DC
<b>Current (max.)</b>	4 A	4 A	5 A	5 A
<b>Contact resistance (max.)</b>	15 mΩ			
<b>Overvoltage category</b>	III			
<b>Conductor cross-section (max.)</b>	1.5 mm <sup>2</sup> (without terminals)			
<b>Cable clamp thread</b>	PG7			
<b>Operating temperature</b>	-40°C ÷ +100°C	-20°C ÷ +80°C	-20°C ÷ +80°C	-20°C ÷ +80°C
<b>Electrical connection</b>	DIN 43650 form D			
<b>Protection class</b>	IP65 (properly assembled)			
<b>Insert and case materials</b>	PA6 GF - PA6 GF	PA6 GF - PA12	PA6 GF - PA12	PA6 GF - PA12
<b>Visual indicator</b>	None	Yellow LED diode	Yellow LED diode	Yellow LED diode
<b>Colour</b>	Black	Clear	Clear	Clear
<b>Electrical circuit protection</b>	Diode	TVS Circuit	TVS Circuit	TVS Circuit
<b>Fixing type</b>	Central screw M3x27.5			

CNN3

CNN3...LED



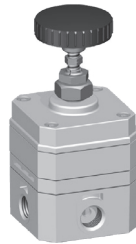
CNN3... / Insert, case, gasket and fixing screw - 1 piece per pack

4  
AIR TREATMENT

## Air treatment units - BK5 Series

Connections: 1/4" - 3/8" - 1/2"

### BK5 SERIES



Precision regulators

Body in die-cast aluminium / technopolymers

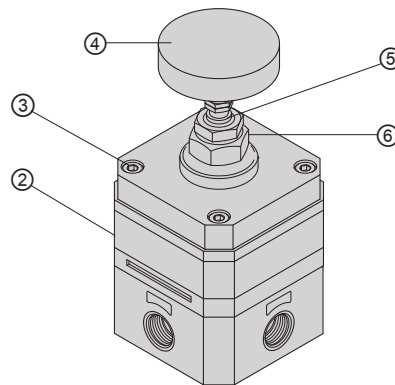
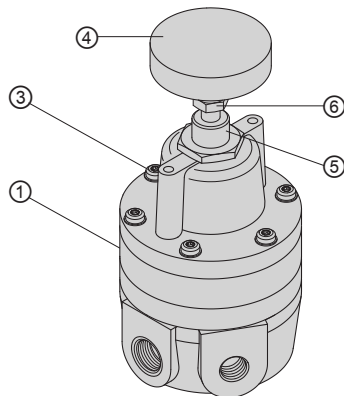
High flow rate

### TECHNICAL CHARACTERISTICS

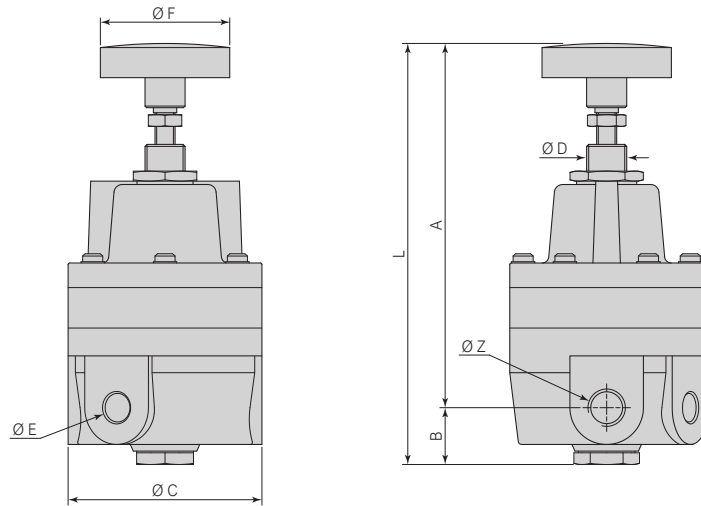
<b>Functions</b>	Pressure regulator - Pressure regulator filter						
<b>Adjustment</b>	Manual						
<b>Materials</b>	Painted die-cast zinc alloy body - Adjustment knob in technopolymer NBR gaskets (Only for: BK51 PR 14P X: Body and knob in technopolymers - NBR gaskets)						
<b>Note on materials</b>	Compliant with REACH (1907/2006/EC and subsequent amendments)						
<b>Connections</b>	Size 1: 1/4" Gas / NPT Size 3: 3/8" Gas - 1/2" Gas						
<b>Threads</b>	Cylindrical gases (BSPP) - NPT						
<b>Operating temperature</b>	0°C + 60°C (-10°C with dry air, to avoid ice formation)						
<b>Group</b>			Precision regulator	Precision regulator - high relieving	Precision regulator in technopolymers	Precision regulator with high flow rate	Precision regulator filter
<b>Coding</b>	Size	Connection	BK51 R 14P X ...	BK51 R 14PP	BK51 PR 14P X	BK53 R ... P X	BK51 FR 14P X ...
<b>Air flow rate</b>	1	1/4" Gas	900 NI/min	1250 NI/min	400 NI/min	-	750 NI/min
Pressure	1	1/4" NPT	900 NI/min	-	-	-	750 NI/min
supply: 6 bar	3	3/8" Gas	-	-	-	6000 NI/min	-
(ΔP 1 bar)	3	1/2" Gas	-	-	-	6500 NI/min	-
<b>Filter element</b>			-	-	-	-	0.1µm, 2µm, 10µm
<b>Adjustment range</b>			0.05 ÷ 2 bar 0.05 ÷ 4 bar 0.05 ÷ 7 bar (standard) 0.05 ÷ 10 bar	0.05 ÷ 8 bar	0.1 ÷ 4 bar 0.1 ÷ 8 bar (standard)	0.05 ÷ 3 bar 0.05 ÷ 5 bar 0.05 ÷ 7 bar (standard) 0.05 ÷ 10 bar	0.05 ÷ 2 bar 0.05 ÷ 4 bar 0.05 ÷ 7 bar (standard) 0.05 ÷ 10 bar
<b>Maximum inlet pressure</b>			16 bar				
<b>Fluid</b>			Compressed air				

### MATERIALS - AIR TREATMENT UNITS BK5 SERIES

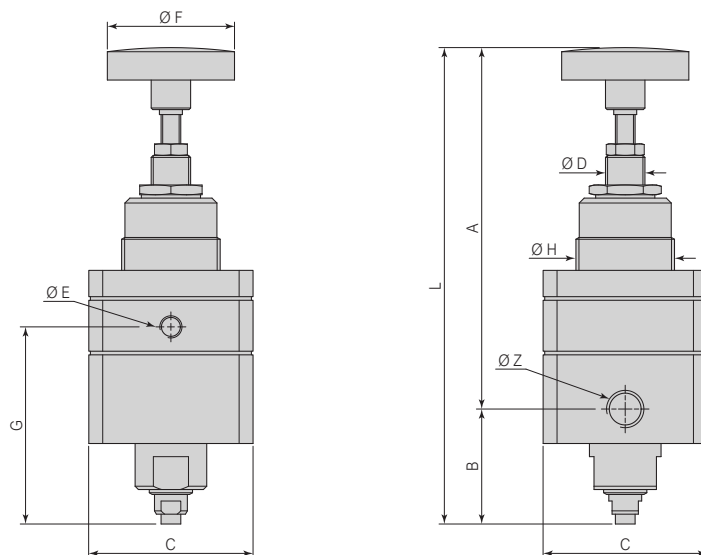
POS	DESCRIPTION	MATERIALS	POS	DESCRIPTION	MATERIALS
①	Body	Painted die-cast zinc alloy	④	Regulator knob	Black technopolymer
②	Body	Technopolymer	⑤	Adjustment screw	Galvanised steel / Brass
③	Screws	Galvanised steel	⑥	Nuts	Galvanised steel / Brass





**DIMENSIONS - AIR TREATMENT UNITS BK5 SERIES**
**PRECISION REGULATOR**


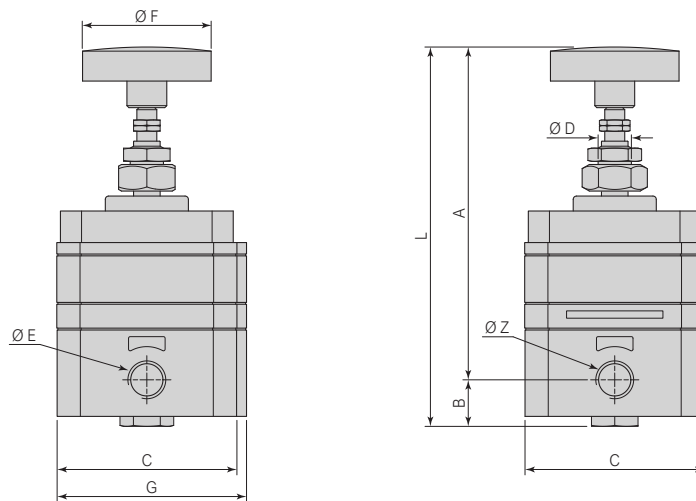
Symbol	Size	Code	Ø Z	Pressure	A	B	Ø C	Ø D	Ø E	L	Ø F
	1	BK51 R 14P	Gas 1/4"	0.05 ÷ 7 bar	109	17	58	M12x1	Gas 1/8"	126	40
		BK51 R 14P 2		0.05 ÷ 2 bar	109	17	58	M12x1	Gas 1/8"	126	40
		BK51 R 14P 4		0.05 ÷ 4 bar	109	17	58	M12x1	Gas 1/8"	126	40
		BK51 R 14P 10		0.05 ÷ 10 bar	109	17	58	M12x1	Gas 1/8"	126	40
		BK51 R 14P N	1/4" NPT	0.05 ÷ 7 bar	109	17	58	M12x1	1/8" NPT	126	40
		BK51 R 14P 2 N		0.05 ÷ 2 bar	109	17	58	M12x1	1/8" NPT	126	40
		BK51 R 14P 4 N		0.05 ÷ 4 bar	109	17	58	M12x1	1/8" NPT	126	40
		BK51 R 14P 10 N		0.05 ÷ 10 bar	109	17	58	M12x1	1/8" NPT	126	40

**High relieving PRECISION REGULATOR**


Symbol	Size	Code	Ø Z	Pressure	A	B	C	Ø D	Ø E	L	Ø F	G	Ø H
	1	BK51 R 14PP	Gas 1/4"	0.05 ÷ 8 bar	100	35	50	M12x1	Gas 1/8"	135	40	50	M30x1.5

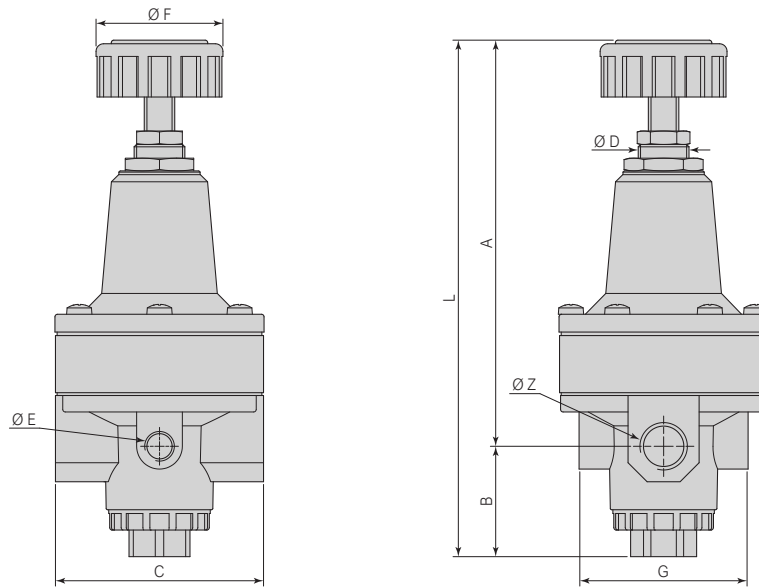
**DIMENSIONS - AIR TREATMENT UNITS BK5 SERIES**

**PRECISION REGULATOR in technopolymers**

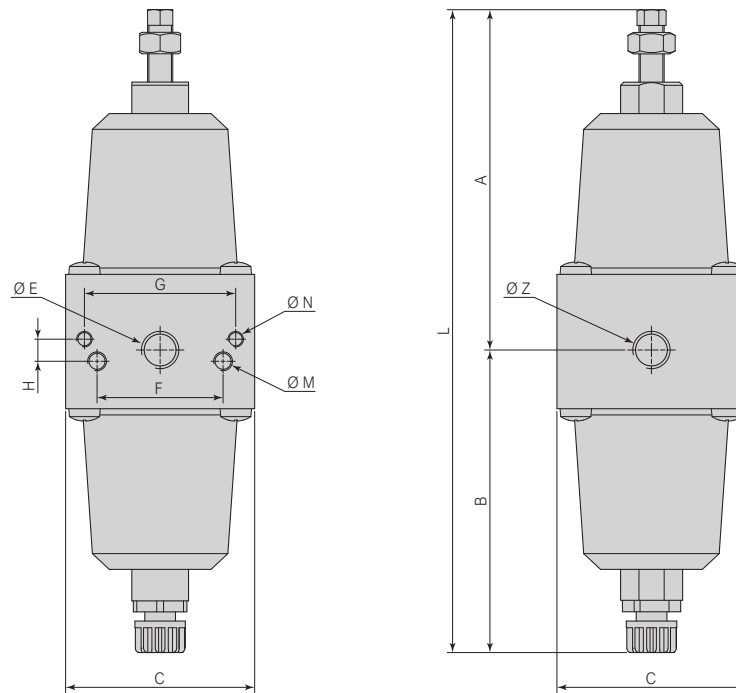


Symbol	Size	Code	Ø Z	Pressure	A	B	C	Ø D	Ø E	Ø F	G	L
	1	BK51 PR 14P	Gas 1/4"	0.1 ÷ 8 bar	100	14	54	M10x1.5	Gas 1/4"	40	57	114
		BK51 PR 14P 4		0.1 ÷ 4 bar	100	14	54	M10x1.5	Gas 1/4"	40	57	114

**High flow rate PRECISION REGULATOR**

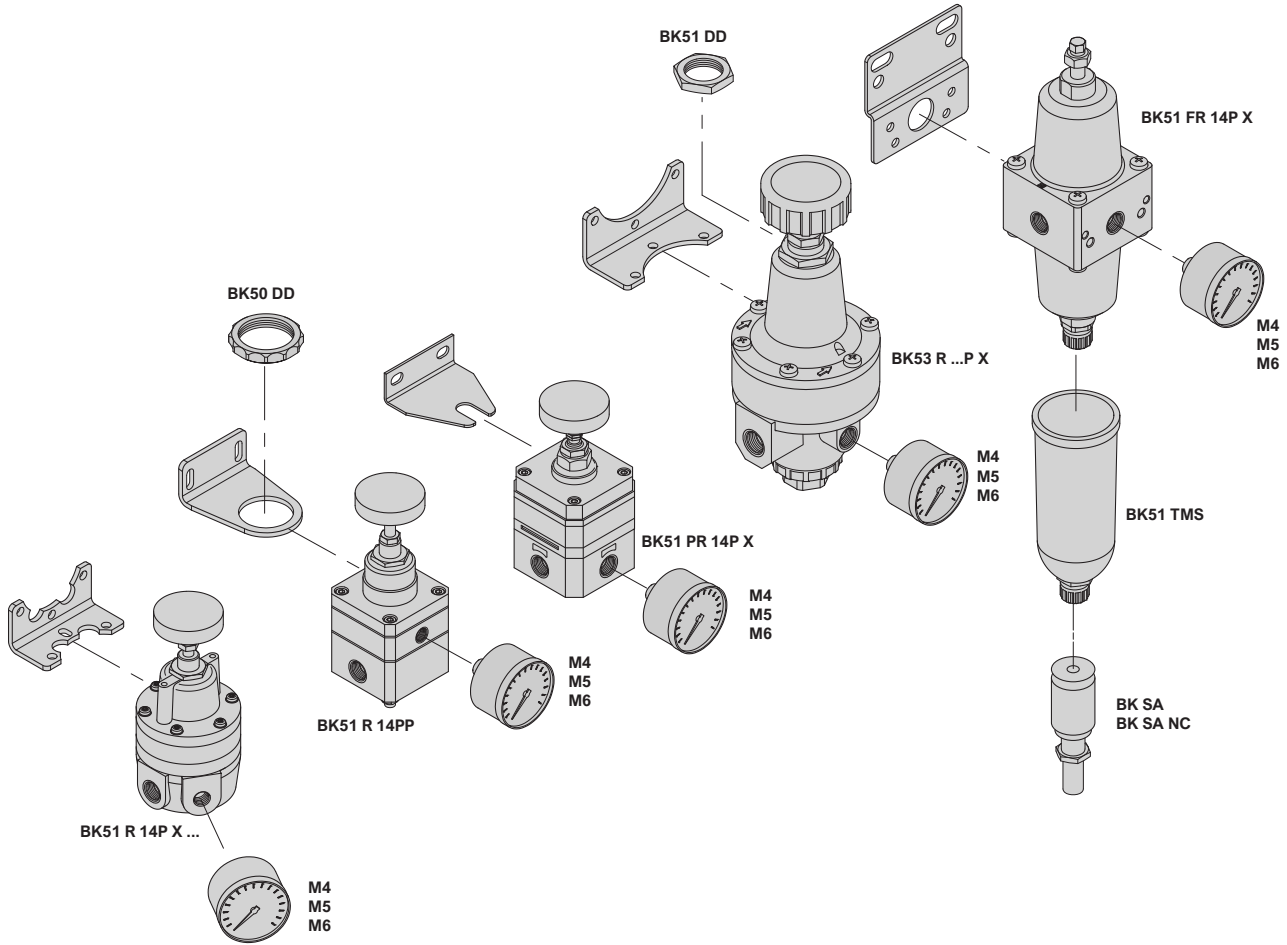


Symbol	Size	Code	Ø Z	Pressure	A	B	C	Ø D	Ø E	Ø F	G	L
	3	BK53 R 38P	Gas 3/8"	0.05 ÷ 7 bar	160	44	82	M20x1.5	Gas 1/4"	50	67	204
		BK53 R 38P 3		0.05 ÷ 3 bar	160	44	82	M20x1.5	Gas 1/4"	50	67	204
		BK53 R 38P 5		0.05 ÷ 5 bar	160	44	82	M20x1.5	Gas 1/4"	50	67	204
		BK53 R 38P 10		0.05 ÷ 10 bar	160	44	82	M20x1.5	Gas 1/4"	50	67	204
		BK53 R 12P N	Gas 1/2"	0.05 ÷ 7 bar	160	44	82	M20x1.5	Gas 1/4"	50	67	204
		BK53 R 12P 3 N		0.05 ÷ 3 bar	160	44	82	M20x1.5	Gas 1/4"	50	67	204
		BK53 R 12P 5 N		0.05 ÷ 5 bar	160	44	82	M20x1.5	Gas 1/4"	50	67	204
		BK53 R 12P 10 N		0.05 ÷ 10 bar	160	44	82	M20x1.5	Gas 1/4"	50	67	204

**DIMENSIONS - AIR TREATMENT UNITS BK5 SERIES**
**PRECISION REGULATOR FILTER**


Symbol	Size	Code	Ø Z	Pressure	A	B	C	Ø E	F	G	H	Ø M	Ø N	L
	1	BK51 FR 14P	Gas 1/4"	0.05 ÷ 7 bar	108	96	60	Gas 1/4"	40	48	7	M6x1	M5x0.8	204
		BK51 FR 14P 2		0.05 ÷ 2 bar	108	96	60	Gas 1/4"	40	48	7	M6x1	M5x0.8	204
		BK51 FR 14P 4		0.05 ÷ 4 bar	108	96	60	Gas 1/4"	40	48	7	M6x1	M5x0.8	204
		BK51 FR 14P 10		0.05 ÷ 10 bar	108	96	60	Gas 1/4"	40	48	7	M6x1	M5x0.8	204
		BK51 FR 14P N	1/4" NPT	0.05 ÷ 7 bar	108	96	60	1/4" NPT	40	48	7	M6x1	M5x0.8	204
		BK51 FR 14P 2 N		0.05 ÷ 2 bar	108	96	60	1/4" NPT	40	48	7	M6x1	M5x0.8	204
		BK51 FR 14P 4 N		0.05 ÷ 4 bar	108	96	60	1/4" NPT	40	48	7	M6x1	M5x0.8	204
		BK51 FR 14P 10 N		0.05 ÷ 10 bar	108	96	60	1/4" NPT	40	48	7	M6x1	M5x0.8	204

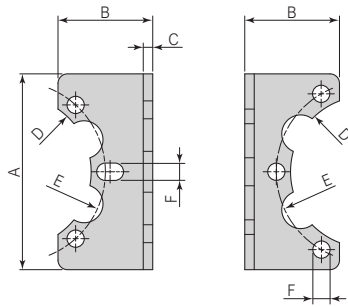
**BK5 SERIES ACCESSORIES**



FASTENING BRACKET			FASTENING RING NUT						
For BK51 R 14P ...	For BK51 R 14PP	For BK51 PR 14P ...	For BK53 R ...	For BK51 FR 14P ...	For BK51 R 14PP	For BK53 R ...			
Page 4.3.05.20	Page 4.3.05.20	Page 4.3.05.20	Page 4.3.05.20	Page 4.3.05.21	-	-			
Galvanised steel					Black technopolymer	Galvanised steel			
METAL BOWL	AUTOMATIC CONDENSATE DRAIN		PRESSURE GAUGE			SPRING			
For BK51 FR 14P ...	Normally open	Normally closed	Dial Ø40	Dial Ø50	Dial Ø63	Size 1	Size 3		
Page 4.3.05.21	Page 4.3.05.21		Page 4.3.05.21			-	-		
BK51 TMS	BK SA	BK SA NC	M4	M5	M6	BK51 ML 03	0.5 ÷ 3 bar	BK53 ML 03	0.5 ÷ 3 bar
						BK51 ML 06	0.5 ÷ 6 bar	BK53 ML 06	0.5 ÷ 6 bar
						BK51 ML 16	0.5 ÷ 16 bar	BK53 ML 16	0.5 ÷ 16 bar
Metal and technopolymer body NBR gaskets	Components in PA66 and brass NBR gaskets		Plastic dial Brass threaded connection			Harmonic steel			

**BK5 SERIES ACCESSORIES**
**ASSEMBLY BRACKET**

For BK51 R 14P ...

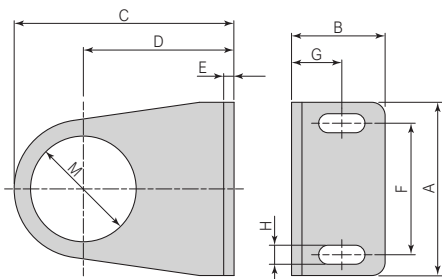


Size	Code	A	B	C	D	E	F
1		62	30	3	24	28.5	5.5

BK... SM ... / Galvanised steel bracket - 1 piece per pack

**ASSEMBLY BRACKET**

For BK51 R 14PP

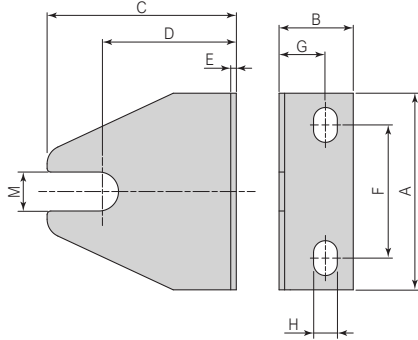


Size	Code	A	B	C	D	E	F	G	H	M
1		50	27	63.5	43.5	3	38	14.5	2.7	30.5

BK... SM ... / Galvanised steel bracket - 1 piece per pack

**ASSEMBLY BRACKET**

For BK51 PR 14P ...

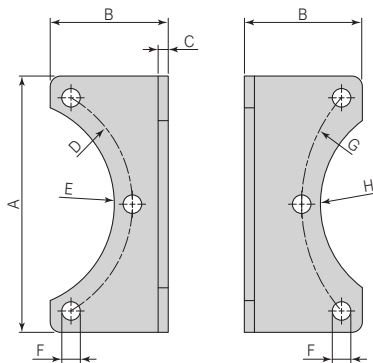


Size	Code	A	B	C	D	E	F	G	H	M
1		53	20	51	37	1.5	36	12.5	6.4	10.5

BK... SM ... / Galvanised steel bracket - 1 piece per pack

**ASSEMBLY BRACKET**

For BK53 R ...



Size	Code	A	B	C	D	E	F	G	H
1		76	35	3	36.5	31	5.5	34	29.5

BK... SM ... / Galvanised steel bracket - 1 piece per pack



**BK5 SERIES ACCESSORIES**

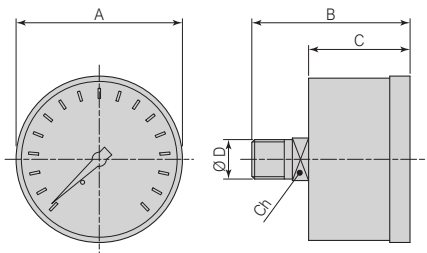
ASSEMBLY BRACKET For BK51 R 14P ...		Size	Code	A	B	C	D	E	F	G	H	I	L	M	N	O	P	Q	
		1		70	74	2	56.5	51	40	48	34	46	3.5	9	7	5.5	8.5	20	
BK... SM ... / Galvanised steel bracket - 1 piece per pack																			

METAL BOWL For BK51 R 14P ...		Size	Code	A	Ø B	Operating pressure	Operating temperature
		1	BK51 TMS	112	40	0 ÷ 16 bar	0°C ÷ +50°C
BK51 TMS / Metal and technopolymer body, NBR gaskets - 1 piece per pack							

AUTOMATIC CONDENSATE DRAIN			
Technical characteristics			
Code	<b>BK SA</b>	<b>BK SA NC</b>	
Size	1	1	
Operation	Normally open. Opening of the discharge valve in the absence of pressure or when the tank is full	Normally closed. Opening of the discharge valve only upon filling of the tank.	
Operating pressure	1.5 ÷ 16 bar	1.5 ÷ 16 bar	
Operating temperature	0°C ÷ +50°C		
Dimensions			
Size	Code	A	Ø B
1	BK SA	108	Gas 1/8"
	BK SA NC		
BK SA - BK SA NC / Brass body, technopolymer float, NBR gaskets - 1 piece per pack			

**BK5 SERIES ACCESSORIES**
**PRESSURE GAUGES**

Ø 40 - Ø 50 - Ø 63



Size	Code	Scale	A	B	C	Ø D	Ch
Air treatment unit							
Gas 1/4" Gas 1/2"	M 4 04	0 ÷ 4	40	37	24.5	Gas 1/8"	12
	M 4 06	0 ÷ 6					
	M 4 10	0 ÷ 10					
	M 4 12	0 ÷ 12					
Gas 1/4" Gas 1/2"	M 5 04	0 ÷ 4	50	46	27.5	Gas 1/8"	14
	M 5 10	0 ÷ 10					
	M 5 12	0 ÷ 12					
Gas 1"	M 6 04	0 ÷ 4	63	46	27.5	Gas 1/4"	14
	M 6 06	0 ÷ 6					
	M 6 10	0 ÷ 10					
	M 6 12	0 ÷ 12					

Black plastic body - clear, threaded connection / 1 piece per pack

## Air treatment units - BK7 Series

Connections: 1/4" - 3/8"

### BK7 SERIES



Panel regulators

Body in die-cast zinc / technopolymers

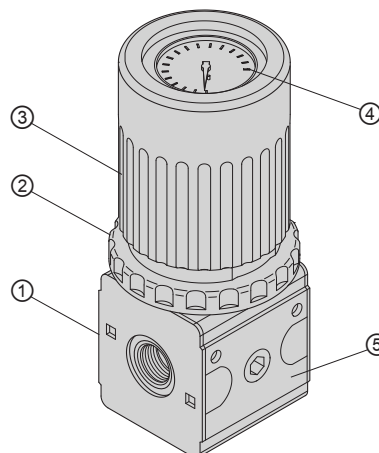
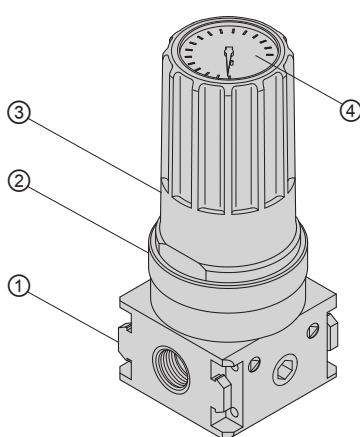
Built-in pressure gauge

### TECHNICAL CHARACTERISTICS

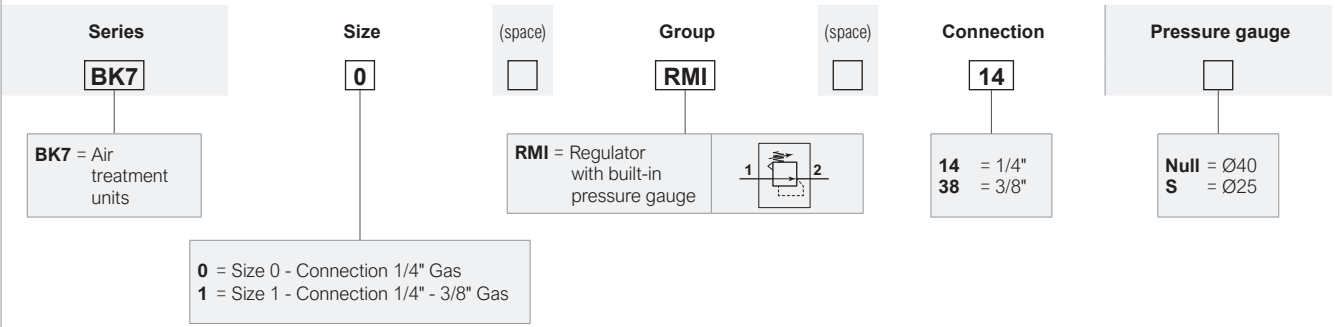
<b>Functions</b>	Panel pressure regulator			
<b>Adjustment</b>	Manual			
<b>Materials</b>	Painted die-cast zinc alloy body - Adjustment knob in technopolymer NBR gaskets			
<b>Note on materials</b>	Compliant with REACH (1907/2006/EC and subsequent amendments)			
<b>Connections</b>	Size 0: 1/4" Gas Size 1: 1/4" Gas - 3/8" Gas			
<b>Threads</b>	Cylindrical gases (BSPP)			
<b>Operating temperature</b>	0°C ÷ +60°C (-10°C with dry air, to avoid ice formation)			
<b>Coding</b>	BK70 RMI 14S	BK70 RMI 14	BK71 RMI 14	BK71 RMI 38
<b>Air flow rate</b> Supply pressure: 6 bar (ΔP 1 bar)	1450 NI/min	1450 NI/min	2100 NI/min	2100 NI/min
<b>Filter element</b>	-			
<b>Adjustment range</b>	0.5 ÷ 10 bar			
<b>Weight</b>	310 g	350 g	470 g	470 g
<b>Maximum inlet pressure</b>	16 bar			
<b>Fluid</b>	Compressed air			

### MATERIALS - AIR TREATMENT UNITS BK7 SERIES

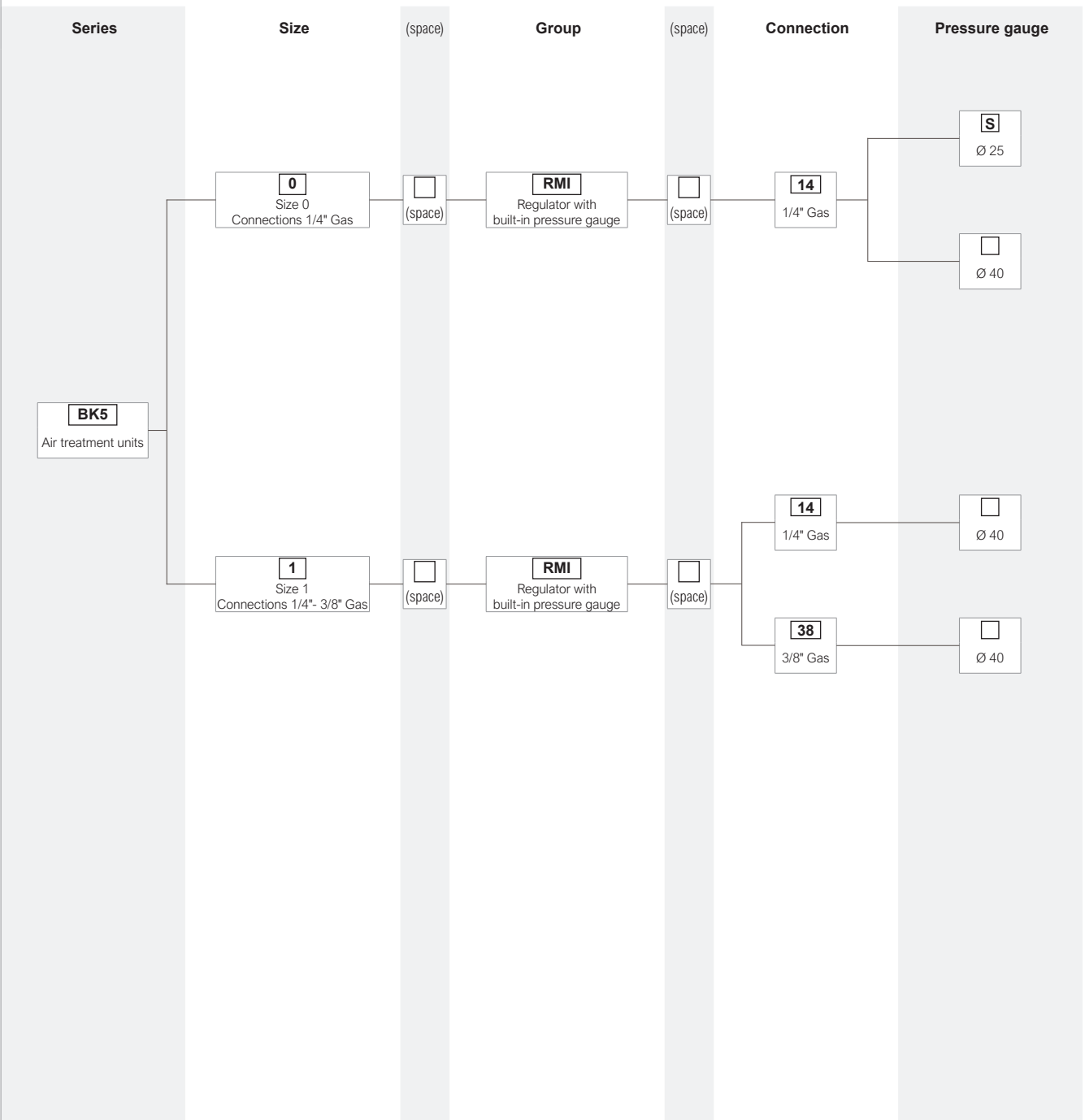
POS	DESCRIPTION	MATERIALS	POS	DESCRIPTION	MATERIALS
①	Body	Painted die-cast zinc alloy	④	Pressure gauge	Clear plastic
②	Ring nut	Black technopolymer	⑤	Insert	Black technopolymer
③	Regulator knob	Black technopolymer			



**CODING KEY - AIR TREATMENT UNITS BK7 SERIES**

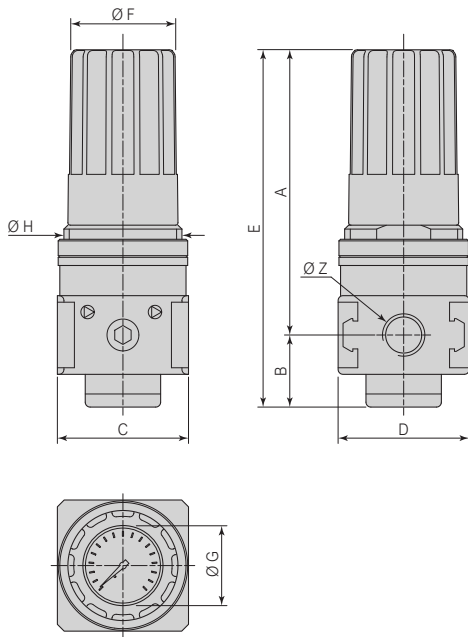


**POSSIBLE CONFIGURATIONS**

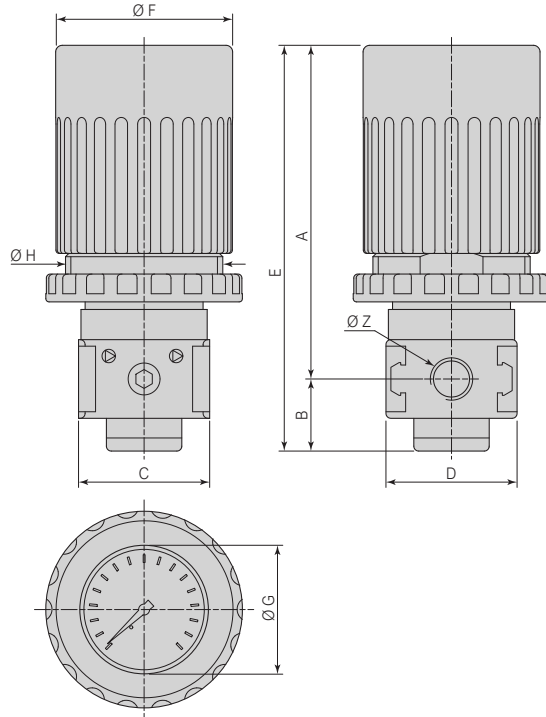


**DIMENSIONS - AIR TREATMENT UNITS BK7 SERIES**

**REGULATOR WITH BUILT-IN PRESSURE GAUGE - BK70 RMI 14S**

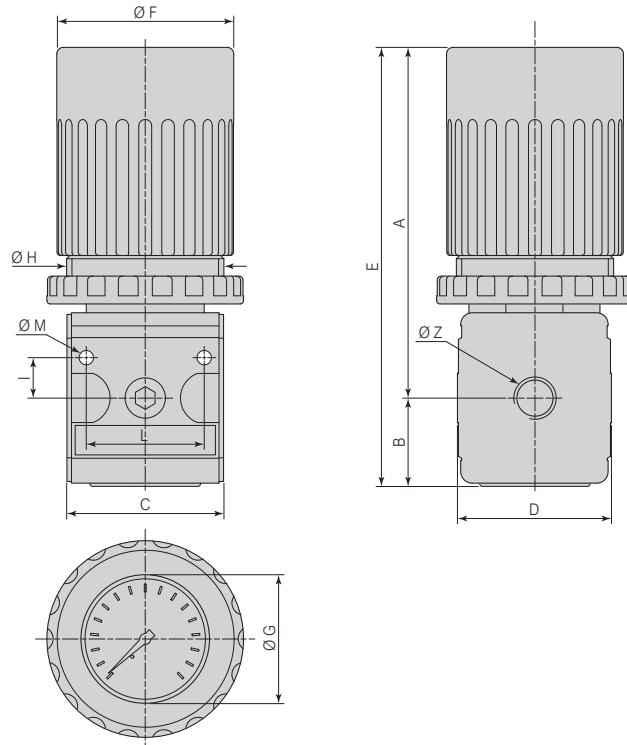


**REGULATOR WITH BUILT-IN PRESSURE GAUGE - BK70 RMI 14**



Symbol	Size	Code	Ø Z	A	B	C	D	E	Ø F	Ø G	Ø H
	0	BK70 RMI 14S	Gas 1/4"	87	22	40	40	109	34	25	M36x1.5
		BK70 RMI 14	Gas 1/4"	102	22	40	40	124	54	40	M48x1.5

**REGULATOR WITH BUILT-IN KNOB**



Symbol	Size	Code	Ø Z	A	B	C	D	E	Ø F	Ø G	Ø H	I	L	Ø M
	1	BK71 RMI 14	Gas 1/4"	107	27	48	16	134	54	40	M48x1.5	12.3	36	4.4
		BK71 RMI 38	Gas 3/8"	107	27	48	16	134	54	40	M48x1.5	12.3	36	4.4





---

**BONESI PNEUMATIK** makes all its products in Italy

---



---

**BONESI PNEUMATIK s.r.l.**

Via A. Robino n. 117  
20025 Legnano (MI) Italy  
VAT no./Tax Code 10396340159  
R.E.A. 1373315

[www.bonesipneumatik.it](http://www.bonesipneumatik.it)  
[info@bonesipneumatik.it](mailto:info@bonesipneumatik.it)  
Phone +39 0331 448000  
Telefax +39 0331 448070