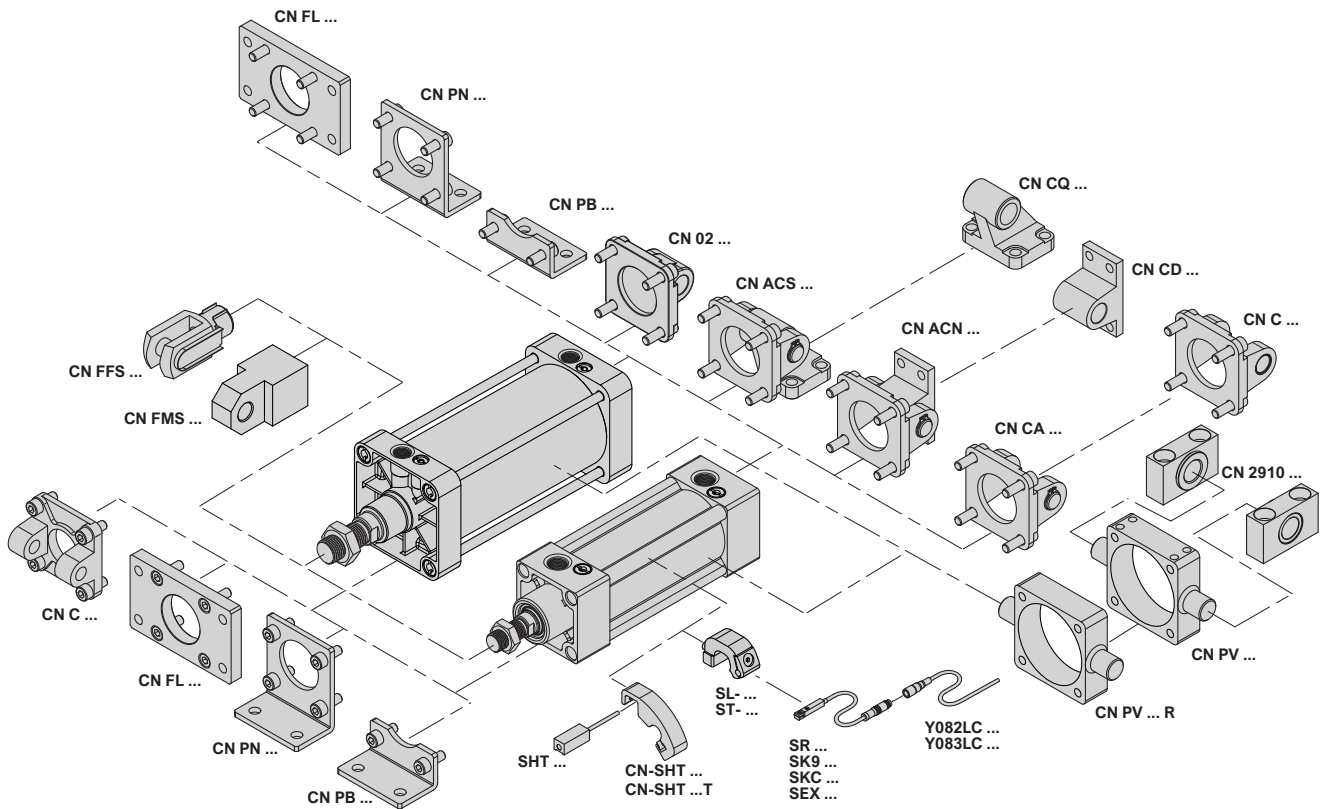


ACCESSORIES



All mounting accessories are supplied complete with screws for fixing to cylinder

	CN FFS ... Female clevis with pin	CN FMS ... Male clevis with pin	CN CA ... Female hinge with pin	CN ACN ... Normal articulated joint	CN ACS ... Right angles articulated joint	CN C ... Female hinge	CN 02 ... Male hinge	CN CD ... Normal joint	CN CQ ... Square joint at 90°	CN FL ... Front and rear flange
Ø	Page 1.4.05.6	Page 1.4.05.6	Page 1.4.05.7	Page 1.4.05.7	Page 1.4.05.7	Page 1.4.05.8	Page 1.4.05.8	Page 1.4.05.8	Page 1.4.05.9	Page 1.4.05.9
32	CN FFS 32	CN FMS 32	CN CA 32	CN ACA 32	CN ACS 32	CN C 32	CN 02 32	CN CD 32	CN CQ 32	CN FL 32
40	CN FFS 40	CN FMS 40	CN CA 40	CN ACA 40	CN ACS 40	CN C 40	CN 02 40	CN CD 40	CN CQ 40	CN FL 40
50	CN FFS 50	CN FMS 50	CN CA 50	CN ACA 50	CN ACS 50	CN C 50	CN 02 50	CN CD 50	CN CQ 50	CN FL 50
63	CN FFS 63	CN FMS 63	CN CA 63	CN ACA 63	CN ACS 63	CN C 63	CN 02 63	CN CD 63	CN CQ 63	CN FL 63
80	CN FFS 80	CN FMS 80	CN CA 80	CN ACA 80	CN ACS 80	CN C 80	CN 02 80	CN CD 80	CN CQ 80	CN FL 80
100	CN FFS 100	CN FMS 100	CN CA 100	CN ACA 100	CN ACS 100	CN C 100	CN 02 100	CN CD 100	CN CQ 100	CN FL 100
125	CN FFS 125	CN FMS 125	CN CA 125	CN ACA 125	CN ACS 125	CN C 125	CN 02 125	CN CD 125	CN CQ 125	CN FL 125
160	CN FFS 160	CN FMS 160	CN CA 160	CN ACA 160	CN ACS 160	CN C 160	CN 02 160	CN CD 160	CN CQ 160	CN FL 160
200	CN FFS 200	CN FMS 200	CN CA 200	CN ACA 200	CN ACS 200	CN C 200	CN 02 200	CN CD 200	CN CQ 200	CN FL 200
	Clevis and lockable pin in galvanized steel	Clevis and pin in galvanized steel	Hinge in light alloy Pin in galvanized steel	Hinge and joint in light alloy Pin in galvanized steel	Hinge and joint in light alloy Pin in galvanized steel	Light alloy	Light alloy	Light alloy	Light alloy	White zinc coating steel
	CN PN ... Normal foot pedestal	CN PB ... Low foot pedestal	CN PV ... Not adjustable intermediate hinge	CN PV ... R Adjustable intermediate hinge	CN SEC ... Pin for male/female hinge	CN 2910 ... Support for intermediate hinge				
Ø	Page 1.4.05.9	Page 1.4.05.10	Page 1.4.05.10	Page 1.4.05.10	Page 1.4.05.11	Page 1.4.05.11				
32	CN PN 32	CN PB 32	CN PV 32	CN PV 32 R	CN SEC 32	CN 2910 32				
40	CN PN 40	CN PB 40	CN PV 40	CN PV 40 R	CN SEC 40	CN 2910 40				
50	CN PN 50	CN PB 50	CN PV 50	CN PV 50 R	CN SEC 50	CN 2910 50				
63	CN PN 63	CN PB 63	CN PV 63	CN PV 63 R	CN SEC 63	CN 2910 63				
80	CN PN 80	CN PB 80	CN PV 80	CN PV 80 R	CN SEC 80	CN 2910 80				
100	CN PN 100	CN PB 100	CN PV 100	CN PV 100 R	CN SEC 100	CN 2910 100				
125	CN PN 125	CN PB 125	CN PV 125	CN PV 125 R	CN SEC 125	CN 2910 125				
160	CN PN 160	CN PB 160	CN PV 160	CN PV 160 R	CN SEC 160	CN 2910 160				
200	CN PN 200	CN PB 200	CN PV 200	CN PV 200 R	CN SEC 200	CN 2910 200				
	Light alloy	White zinc coating steel	White zinc coating steel	White zinc coating steel	White zinc coating steel	White zinc coating steel				

ACCESSORI									
CN SG ... Standard seals kit	CNM SG ... Standard seals kit Magnetic	CN SGV ... High temperature seals kit	CN SGVS ... Seals kit, rod in FKM other as standard	SR ... NC sensors REED / HALL	SK9 ... IP69K sensor PNP	SKC ... Precise position sensor PNP	SEX ... ATEX II3G sensor PNP	SHT ... High temperature sensor REED	
Ø				Page 1.4.05.12	Page 1.4.05.13	Page 1.4.05.13	Page 1.4.05.13	Page 1.4.05.14	
32	CN SG 32	CNM SG 32	CN SGV 32	CN SGVS 32					
40	CN SG 40	CNM SG 40	CN SGV 40	CN SGVS 40					
50	CN SG 50	CNM SG 50	CN SGV 50	CN SGVS 50					
63	CN SG 63	CNM SG 63	CN SGV 63	CN SGVS 63					
80	CN SG 80	CNM SG 80	CN SGV 80	CN SGVS 80					
100	CN SG 100	CNM SG 100	CN SGV 100	CN SGVS 100					
125	CN SG 125	CNM SG 125	CN SGV 125	CN SGVS 125					
160	CN SG 100	CNM SG 100	CN SGV 100	CN SGVS 100					
200	CN SG 125	CNM SG 125	CN SGV 125	CN SGVS 125					
	Rod seals: Polyurethane Other seals: NBR	Rod seals: Polyurethane Other seals: NBR	Seals in FKM	Rod seals: FKM Other seals: NBR	Sensor: PA6 Cable: PUR	Sensor: PA12 Cable: PUR	Sensor: PA Cable: PUR	Sensor: PA Cable: PVC	Sensor: Aluminium Cable: PTFE
Y082LC/Y083LC	SL-... / ST- ...	SL-... / ST- ...	CC SHT ...	CC SHT ...T					
Straight connectors	Bracket for sensor Profile tube	Bracket for sensor Round tube and tie rods	Bracket for sensor SHT Profile tube	Bracket for sensor SHT Round tube and tie rods					
Ø	Page 1.4.05.14	Page 1.4.05.15	Page 1.4.05.15	Page 1.4.05.15	Page 1.4.05.16				
32		SL-80	ST-10	CN SHT 32	CN SHT 32T				
40		SL-80	ST-10	CN SHT 40	CN SHT 40T				
50		SL-81	ST-10	CN SHT 50	CN SHT 50T				
63		SL-81	ST-10	CN SHT 63	CN SHT 63T				
80		SL-82	ST-11	CN SHT 80	CN SHT 80T				
100		SL-82	ST-11	CN SHT 100	CN SHT 100T				
125		SL-83	ST-11	CN SHT 125	CN SHT 125T				
160		-	SL-81S	CN SHT 160	CN SHT 160T				
200		-	SL-81S	CN SHT 200	CN SHT 200T				
	Connector: PVC Contacts: Gilded brass Cable: PVC	Bracket, screw and plate: steel	Bracket: AISI 303 / Zinc coating steel Screw and plate: steel	Bracket: Anodised aluminium Screw and plate: steel	Bracket: Anodised aluminium Screw and plate: steel				

PISTON ROD ACCESSORIES

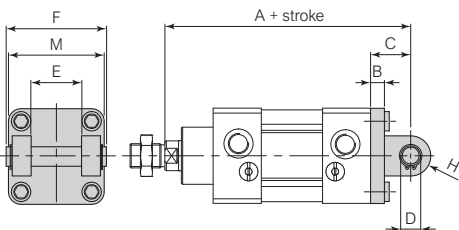
CN FFS ... Female clevis with pin	Bore	Code	AA	AB	Ø AC	AD	AE	AF	AG	AH	AL
	mm		h11		h11	h11	±0,5	±0,5	±0,4	±0,2	
	32	CN FFS 32	11	M10 x 1,5	8	22	16	45	36	25	3
	40	CN FFS 40	18	M16 x 1,5	12	36	25	64	51	40	4
	50	CN FFS 50	18	M16 x 1,5	12	36	25	64	51	40	4
	63	CN FFS 63	22	M20 x 1,5	16	45	33	80	63	49	4
	80	CN FFS 80	22	M20 x 1,5	16	45	33	80	63	49	4
	100	CN FFS 100	30	M27 x 2	20	63	40	105	85	69	4
	125	CN FFS 125	30	M27 x 2	20	53	40	105	85	69	4
	160	CN FFS 160	40	M36 x 2	25	80	40	140	115	95	-
	200	CN FFS 200	40	M36 x 2	25	80	40	140	115	95	-
	CN FFS ... Clevis and clip in zinc plated steel / 1 piece each package										

CN FMS ... Male clevis	Bore	Code	AA	AB	Ø AC	AD	AE	AF	AG	AM
	mm				H8					
	32	CN FMS 32	11	M10 x 1,5	8	22	25	45	36	20
	40	CN FMS 40	18	M16 x 1,5	12	32	34	64	51	30
	50	CN FMS 50	18	M16 x 1,5	12	32	34	64	51	30
	63	CN FMS 63	22	M20 x 1,5	16	36	41	80	63	36
	80	CN FMS 80	22	M20 x 1,5	16	36	41	80	63	36
	100	CN FMS 100	30	M27 x 2	20	45	58	105	85	50
	125	CN FMS 125	30	M27 x 2	20	45	58	105	85	50
	160	CN FMS 160	40	M36 x 2	25	70	81	140	115	70
	200	CN FMS 200	40	M36 x 2	25	70	81	140	115	70
	CN FMS ... Clevis in zinc plated steel / 1 piece each package									

MOUNTING ACCESSORIES

CN CA ...

Female hinge with pin

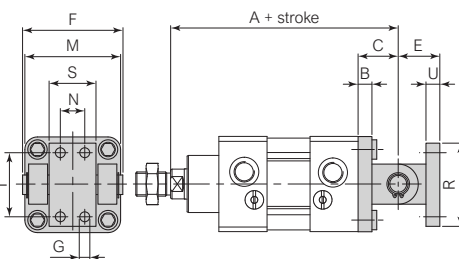


Bore mm	Code	A+	B	C	D	E	F	H	M	Fixing screw
				±0,2	f7	h14		max		ISO 4762
32	CN CA 32	123	8	18	8	26	53	8	45	M6 x 16
40	CN CA 40	168	8	24	12	33	60	12	52	M6 x 18
50	CN CA 50	170	10	26	12	33	73	12	65	M8 x 25
63	CN CA 63	194	10	30	16	47	83	16	75	M8 x 25
80	CN CA 80	196	12	32	16	47	103	16	95	M10 x 30
100	CN CA 100	229	12	37	20	57	124	20	115	M10 x 30
125	CN CA 125	233	16	41	20	57	149	21	140	M12 x 35
160	CN CA 160	285	20	55	25	72	189	25	180	M16 x 40
200	CN CA 200	285	20	55	25	72	229	25	220	M16 x 40

CN CA ... Hinge in light alloy / Pin in zinc plated steel / 1 piece each package + 4 screws for fixing to cylinder

CN ACN ...

Normal joint

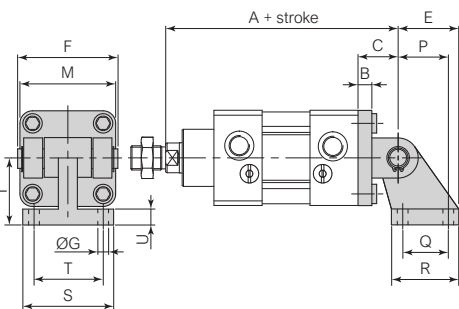


Bore mm	Code	A+	B	C	E	F	G	I	M	N	R	S	U	Fixing screw
				±0,2	±0,2		H13	±0,2						ISO 4762
32	CN ACN 32	123	8	18	18	53	7	28	45	0	40	25	8	M6 x 16
40	CN ACN 40	168	8	24	26	60	9	38	52	16	52	32	10	M6 x 18
50	CN ACN 50	170	10	26	26	73	9	38	65	16	52	32	10	M8 x 25
63	CN ACN 63	194	10	30	34	83	11	54	75	25	75	46	12	M8 x 25
80	CN ACN 80	196	12	32	34	103	11	54	95	25	75	46	12	M10 x 30
100	CN ACN 100	229	12	37	41	124	14	90	115	32	115	56	16	M10 x 30
125	CN ACN 125	233	16	41	41	149	14	90	140	32	115	56	16	M12 x 35
160	CN ACN 160	285	20	55	55	189	18	150	180	43	180	71	20	M16 x 40
200	CN ACN 200	285	20	55	55	229	18	150	220	43	180	71	20	M16 x 40

CN ACN ... Hinge and joint in light alloy / Pin in zinc plated steel / 1 piece each package + 4 screws for fixing to cylinder

CN ACS ...

Square joint at 90°



Bore mm	Code	A+	B	C	E	F	ØG	I	M	P	Q	R	S	T	U	Fixing screw
				±0,2			H13				±0,2			±0,2		ISO 4762
32	CN ACS 32	123	8	18	46,5	53	7	32	45	38	20	37	41	25	8	M6 x 16
40	CN ACS 40	168	8	24	68	60	9	45	52	57	32	54	52	32	10	M6 x 18
50	CN ACS 50	170	10	26	68	73	9	45	65	57	32	54	52	32	10	M8 x 25
63	CN ACS 63	194	10	30	94,5	83	11	63	75	82	50	75	63	40	13	M8 x 25
80	CN ACS 80	196	12	32	94,5	103	11	63	95	82	50	75	63	40	13	M10 x 30
100	CN ACS 100	229	12	37	126,5	124	14	90	115	110	70	103	80	50	17	M10 x 30
125	CN ACS 125	233	16	41	126,5	149	14	90	140	110	70	103	80	50	17	M12 x 35
160	CN ACS 160	285	20	55	182	189	18	140	180	160	110	154	111	63	20	M16 x 40
200	CN ACS 200	285	20	55	182	229	18	140	220	160	110	154	111	63	20	M16 x 40

CN ACS ... Hinge and joint in light alloy / Pin in zinc plated steel / 1 piece each package + 4 screws for fixing to cylinder

MOUNTING ACCESSORIES

CN C ... Female hinge	Bore mm	Code	A+	A1	B	C ±0,2	D H9	E h14	H max	M	Fixing screw ISO 4762
	32	CN C 32	123	7	8	18	8	26	8	45	M6 x 16
	40	CN C 40	168	10	8	24	12	33	12	52	M6 x 18
	50	CN C 50	170	8	10	26	12	33	12	65	M8 x 25
	63	CN C 63	194	9	10	30	16	47	16	75	M8 x 25
	80	CN C 80	196	7	12	32	16	47	16	95	M10 x 30
	100	CN C 100	229	10	12	37	20	57	20	115	M10 x 30
	125	CN C 125	233	6	16	41	20	57	21	140	M12 x 35
	160	CN C 160	285	5	20	55	25	72	25	180	M16 x 40
	200	CN C 200	285	5	20	55	25	72	25	220	M16 x 40

CN C ... Hinge in light alloy / 1 piece each package + 4 screws for fixing to cylinder

CN 02 ... Male hinge	Bore mm	Code	A+	B	C ±0,2	D H9	E -0,20 -0,60	H max	M	Fixing screw ISO 4762
	32	CN 02 32	125	8	20	10	26	10	45	M6 x 16
	40	CN 02 40	167	8	23	12	28	12	55	M6 x 18
	50	CN 02 50	169	8	25	12	32	12	65	M8 x 25
	63	CN 02 63	194	10	30	16	40	16	75	M8 x 25
	80	CN 02 80	196	12	32	16	50	16	95	M10 x 30
	100	CN 02 100	229	12	37	20	60	20	115	M10 x 30
	125	CN 02 125	238	16	46	25	70	25	140	M12 x 35
	160	CN 02 160	285	20	55	30	90	25	180	M16 x 40
	200	CN 02 200	285	20	55	30	90	25	220	M16 x 40

CN 02 ... Hinge in light alloy / 1 piece each package + 4 screws for fixing to cylinder

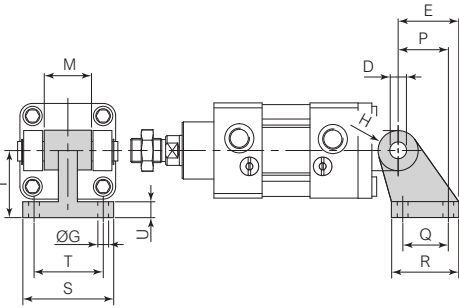
CN CD ... Normal joint	Bore mm	Code	D H9	E ±0,2	G H13	S	H max	I ±0,2	N	R	U
	32	CN CD 32	8	18	7	25	8	28	0	40	8
	40	CN CD 40	12	26	9	32	12	38	16	52	10
	50	CN CD 50	12	26	9	32	12	38	16	52	10
	63	CN CD 63	16	34	11	46	18	54	25	75	12
	80	CN CD 80	16	34	11	46	18	54	25	75	12
	100	CN CD 100	20	41	14	56	20	90	32	115	16
	125	CN CD 125	20	41	14	56	20	90	32	115	16
	160	CN CD 160	25	55	18	71	25	150	43	180	20
	200	CN CD 200	25	55	18	71	25	150	43	180	20

CN CD ... Joint in light alloy / 1 piece each package

MOUNTING ACCESSORIES

CN CQ ...

Square joint at 90°

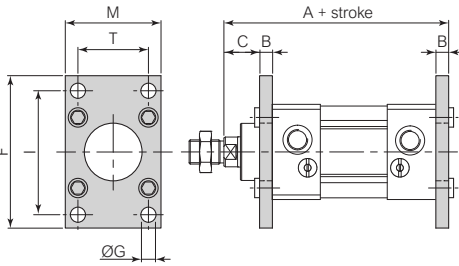


Bore mm	Code	D H9	E ±0,2	ØG H13	H max	I ±0,2	M -0,20 -0,60	P	Q ±0,2	R	S	T ±0,2	U
32	CN CQ 32	8	38	7	10	32	25	38	20	37	41	25	8
40	CN CQ 40	12	57	9	13	45	32	57	32	54	52	32	10
50	CN CQ 50	12	57	9	13	45	32	57	32	54	52	32	10
63	CN CQ 63	16	82	11	16	63	46	82	50	75	63	40	13
80	CN CQ 80	16	82	11	16	63	46	82	50	75	63	40	13
100	CN CQ 100	20	110	14	21	90	56	110	70	103	80	50	17
125	CN CQ 125	20	110	14	21	90	56	110	70	103	80	50	17
160	CN CQ 160	25	160	18	27	140	70	160	110	154	111	63	20
200	CN CQ 200	25	160	18	27	140	70	160	110	154	111	63	20

CN CQ ... Joint in light alloy / 1 piece each package

CN FL ...

Front and rear flange

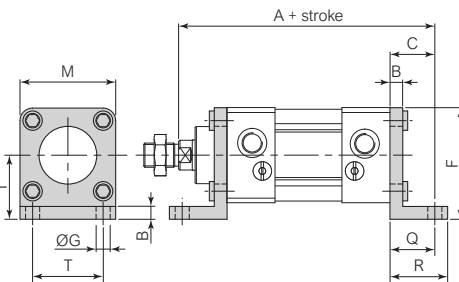


Bore mm	Code	A+ ±0,2	B ±0,2	C	F	ØG H13	I JS14	M	T JS14	Fixing screw UNI 9327
32	CN FL 32	113	8	17	80	9	68	45	33	M6 x 12
40	CN FL 40	152	8	26	90	9	78	52	40	M6 x 14
50	CN FL 50	154	10	24	110	11	94	65	49	M8 x 18
63	CN FL 63	174	10	29	120	11	104	75	59	M8 x 18
80	CN FL 80	176	12	27	150	14	130	95	75	M10 x 20
100	CN FL 100	204	12	35	170	14	150	115	90	M10 x 20
125	CN FL 125	208	16	31	205	18	180	140	110	M12 x 35
160	CN FL 160	250	20	30	260	22	228	180	140	M16 x 20
200	CN FL 200	250	20	30	300	22	268	220	175	M16 x 20

CN FL ... Flange in white zinc plated steel / 1 piece each package + 4 screws for fixing to cylinder

CN PN ...

Normal foot pedestal



Bore mm	Code	A+ ±0,2	B ±0,2	C	F ±1	ØG H13	I ±0,2	M ±0,5	Q ±0,2	R ±1	T ±0,2	Fixing screw ISO 4762
32	CN PN 32	134	8	27	54	9	32	45	27	35	28	M6 x 16
40	CN PN 40	171	8	27	62	9	36	52	27	35	36	M6 x 18
50	CN PN 50	179	10	35	77	11	45	65	35	45	45	M8 x 25
63	CN PN 63	199	10	35	87	11	50	75	35	45	55	M8 x 25
80	CN PN 80	207	12	43	110	14	63	95	43	55	70	M10 x 30
100	CN PN 100	235	12	43	130	14	73	115	43	55	90	M10 x 30
125	CN PN 125	244	16	52	161	18	91	140	52	68	110	M12 x 35
160	CN PN 160	292	20	62	205	22	115	180	62	82	130	M16 x 40
200	CN PN 200	292	20	62	245	22	135	220	62	92	170	M16 x 40

CN PN ... Pedestal in light alloy / 1 piece each package + 4 screws for fixing to cylinder

MOUNTING ACCESSORIES

CN PB ... Low foot pedestal	Bore mm	Code	A+ ±0,5	B ±0,2	C	F	ØG H13	I ±0,2	M max	Q ±0,2	R	T ±0,2	Fixing screw ISO 4762
	32	CN PB 32	134	4	27	30	9	32	45	27	35	28	M6 x 14
	40	CN PB 40	171	4	27	30	9	36	52	27	36	36	M6 x 16
	50	CN PB 50	179	5	35	36	11	45	65	35	45	45	M8 x 25
	63	CN PB 63	199	5	35	35	11	50	75	35	45	55	M8 x 25
	80	CN PB 80	207	6	43	45	14	63	95	43	55	70	M10 x 25
	100	CN PB 100	235	6	43	44	14	73	115	43	56	90	M10 x 25
	125	CN PB 125	244	8	52	70	18	91	140	52	70	110	M12 x 25
	160	CN PB 160	292	9	62	100	22	115	180	62	75	130	M16 x 30
	200	CN PB 200	292	12	62	100	22	135	220	62	100	170	M16 x 30

CN PB ... Pedestal in white zinc plated steel / 1 piece each package + 2 screws for fixing to cylinder

CN PV ... Not adjustable intermediate hinge	Bore mm	Code	A min	A max +	A3 h 14	B4 h 14	C3 max	E3 max	ØD3 e9
	32	CN PV 32	63,5	66,5	50	12	65	25	12
	40	CN PV 40	85	93	63	16	75	30	16
	50	CN PV 50	85	93	73	16	95	30	16
	63	CN PV 63	96,5	106,5	90	20	105	35	20
	80	CN PV 80	99	104	108	20	130	40	20
	100	CN PV 100	107	132	131	25	145	30	25
	125	CN PV 125	108	131	159	25	175	32	25
	160	CN PV 160	118	162	198	32	195	40	32
	200	CN PV 200	118	162	248	32	250	40	32

CN PV ... Intermediate hinge in white zinc plated steel / 1 piece each package

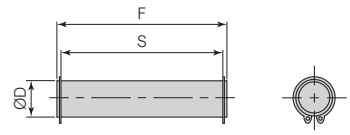
CN PV ... R Adjustable intermediate hinge	Bore mm	Code	A3 h 14	B4 h 14	C3 max	E3 max	ØD3 e9
	32	CN PV 32 R	50	12	46	15	12
	40	CN PV 40 R	63	16	59	20	16
	50	CN PV 50 R	73	16	69	20	16
	63	CN PV 63 R	90	20	84	25	20
	80	CN PV 80 R	108	20	102	25	20
	100	CN PV 100 R	131	25	125	30	25
	125	CN PV 125 R	160	25	155	32	25
	160	CN PV 160 R	200	32	190	40	32
	200	CN PV 200 R	250	32	240	40	32

CN PV ... R Intermediate hinge in white zinc plated steel / 1 piece each package

MOUNTING ACCESSORIES

CN SEC ... Pin for male/female hinge	Bore mm	Code	ØD I7	F	S +0,30 0
	32	CN SEC 32	8	53	46
	40	CN SEC 40	12	60	53
	50	CN SEC 50	12	73	66
	63	CN SEC 63	16	83	76
	80	CN SEC 80	16	103	96
	100	CN SEC 100	20	124	117
	125	CN SEC 125	20	149	142
	160	CN SEC 160	25	189	182
	200	CN SEC 200	25	229	222

CN SEC ... White zinc plated steel / 1 piece each package + 2 retaining rings



CN 2910 ... Support for intermediate hinge	Bore mm	Code	A3 h14	A4	B5	C4	Ø D3 F7	E4 $\pm 0,2$	F3 $\pm 0,5$	Ø G2 H13	Ø G3 H13	M1	N1 $\pm 0,1$
	32	CN 2910 32	50	46	71	86	12	32	7	6,6	11	30	15
	40	CN 2910 40	63	55	87	105	16	36	9	9	15	36	18
	50	CN 2910 50	75	55	99	117	16	36	9	9	15	36	18
	63	CN 2910 63	90	65	116	136	20	42	11	11	18	40	20
	80	CN 2910 80	110	65	136	156	20	42	11	11	18	40	20
	100	CN 2910 100	132	75	164	189	25	50	13	14	20	50	25
	125	CN 2910 125	160	75	192	217	25	50	13	14	20	50	25
	160	CN 2910 160	200	92	245	280	32	60	17	18	26	60	30
	200	CN 2910 200	250	92	295	330	32	60	17	18	26	60	30

CN 2910 ... White zinc plated steel, bush in sintered bronze / 2 pieces each package

