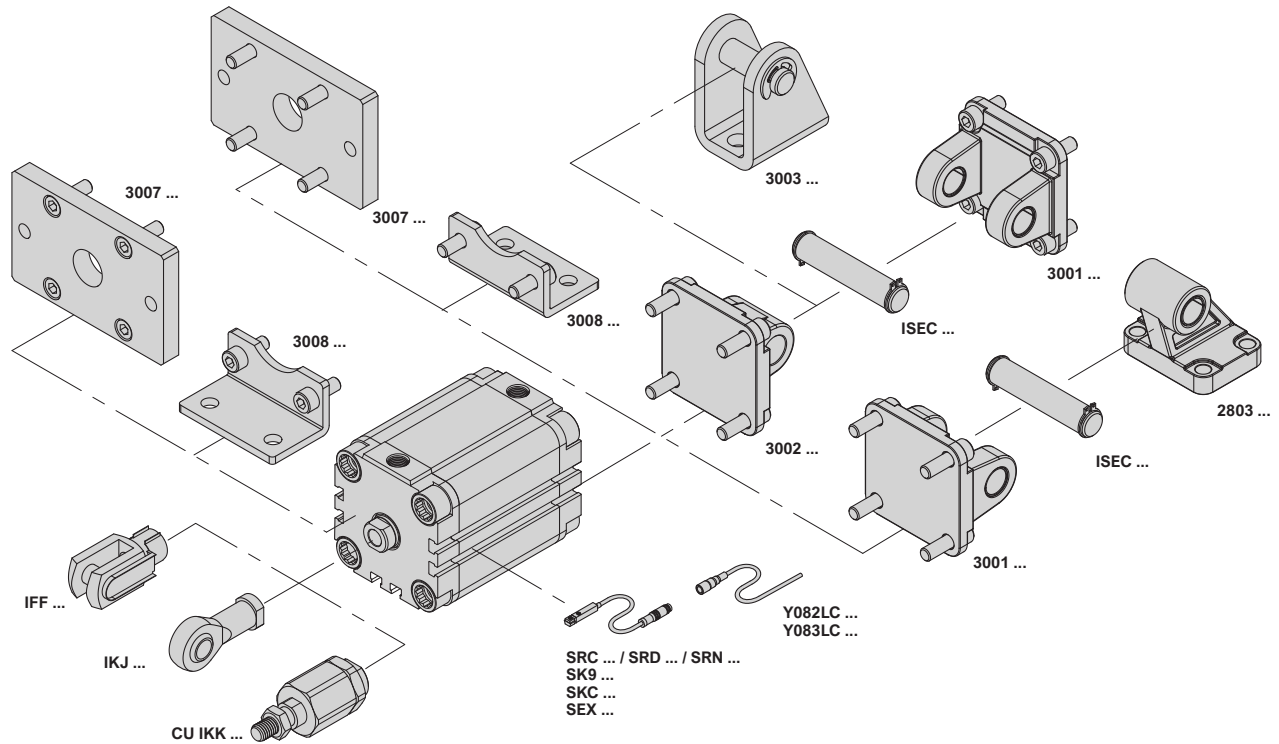


ACCESSORIES



All mounting accessories are supplied complete with screws for fixing to cylinder

	IFF ... Female clevis with pin	IKJ ... Self-lubricating oscillating joint	CU IKK ... Self-aligning joint angular and radial	3002 ... Male hinge	3001 ... Female hinge	3003 ... Square joint at 90°	2803 ... Square joint at 90°	3007 ... Front and rear flange	3008 ... Foot pedestal	ISEC ... Pin for male/ female hinge
Ø	Page 1.2.05.7	Page 1.2.05.7	Page 1.2.05.7	Page 1.2.05.8	Page 1.2.05.8	Page 1.2.05.8	Page 1.2.05.8	Page 1.2.05.9	Page 1.2.05.9	Page 1.2.05.9
16	IFF 16	IKJ 16	CU IKK 16	3002 16	-	3003 16	-	3007 16	3008 16	-
20	IFF 20	IKJ 20	CU IKK 20	3002 20	-	3003 20	-	3007 20	3008 20	-
25	IFF 25	IKJ 25	CU IKK 25	3002 35	-	3003 35	-	3007 35	3008 35	-
32	IFF 32	IKJ 32	CU IKK 32	-	3001 32	-	2803 32	3007 32	3008 32	ISEC 32
40	IFF 40	IKJ 40	CU IKK 40	-	3001 40	-	2803 40	3007 40	3008 40	ISEC 40
50	IFF 50	IKJ 50	CU IKK 50	-	3001 50	-	2803 50	3007 50	3008 50	ISEC 50
63	IFF 63	IKJ 63	CU IKK 63	-	3001 63	-	2803 63	3007 63	3008 63	ISEC 63
80	IFF 80	IKJ 80	CU IKK 80	-	3001 80	-	2803 80	3007 80	3008 80	ISEC 80
100	IFF 100	IKJ 100	CU IKK 100	-	3001 100	-	2803 100	3007 100	3008 100	ISEC 100
	Clevis and lockable pins in galvanized steel	Joint in galvanized steel, bush in sinterized bronze	Joint and nut in galvanized steel, Pin in blacked steel	Light alloy	Light alloy	Square joint in galvanized steel	Painted steel black cataphoresis	White zinc coating steel	White zinc coating steel	White zinc coating steel
	CU SG ... Standard seals kit	SR ... NC sensors REED / HALL	SK9 ... IP69K sensor PNP	SKC ... Precise position sensor PNP	SEX ... ATEX II3G sensor PNP	Y082LC ... Straight connectors	Y083LC ... Straight connectors			
Ø	Page 1.2.05.6	Page 1.2.05.10	Page 1.2.05.11	Page 1.2.05.11	Page 1.2.05.11	Page 1.2.05.12	Page 1.2.05.12			
16	CU SG 16									
20	CU SG 20									
25	CU SG 25									
32	CU SG 32									
40	CU SG 40									
50	CU SG 50									
63	CU SG 63									
80	CU SG 80									
100	CU SG 100									
	Rod seals: Polyurethane Other seals: NBR	Sensor: PA6 Cable: PUR	Sensor: PA12 Cable: PUR	Sensor: PA Cable: PUR	Sensor: PA Cable: PVC	Connettore: PVC Contatti: ottone dorato Cavo: PVC	Connettore: PVC Contatti: ottone dorato Cavo: PVC			