

# Manual poppet valves - 340 Series

Connections: 1/8"

## 340 SERIES



Poppet valves

High mechanical strength

 Zinc and aluminium alloy body  
 Other metal components

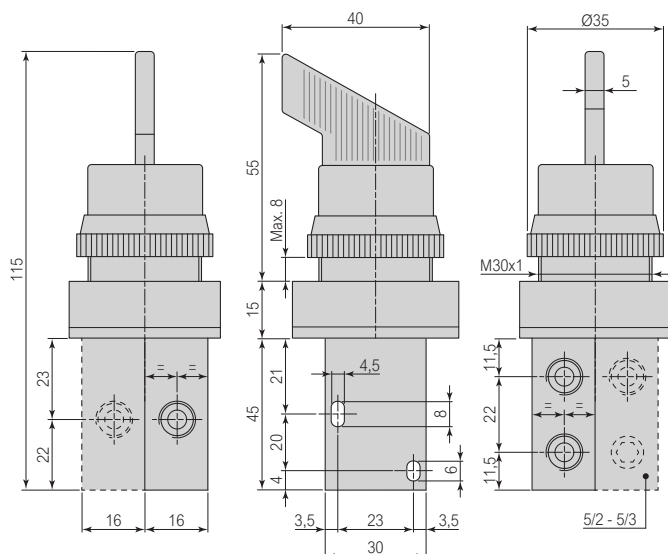
2/2 - 3/2 - 5/2 - 5/3 manual operation

### TECHNICAL FEATURES

<b>Function</b>	2/2 - 3/2 - 5/2 - 5/3
<b>Operation</b>	Manual - Monostable mechanical spring return, bistable, three positions
<b>Materials</b>	Body in painted zinc and aluminium alloy, other components in metal or plastic polymers Internal components in steel - aluminium - brass - NBR gaskets
<b>Note on materials</b>	Compliant with REACH (1907/2006/EC and subsequent amendments)
<b>Connections</b>	Size A: 1/8" Gas
<b>Threads</b>	Cylindrical Gas (BSPP)
<b>Operating temperature</b>	0°C ÷ 80°C (-20°C with dry air, to avoid ice formation)
<b>Operating pressure</b>	0 ÷ 10 bar
<b>Air flow rate</b>	
Connection	Size A - 1/8"
Nominal diameter	6 mm
Supply pressure	5 bar 355 NI/min
(with ΔP 1 bar)	6 bar 420 NI/min
	7 bar 480 NI/min
<b>Fluid</b>	Filtered air, lubrication-free, compliant with ISO 8573-1:2010 [7:4:4]
<b>Lubrication</b>	Not required (if required in the pneumatic circuit, it must be continuous)

### MANUAL LEVER VALVES

#### MANUAL LEVER OPERATION - BISTABLE - THREE POSITIONS



Symbol	Way	Size	Connections	Colour	Code
	2/2 NC	A	Gas 1/8"	Red	34118R
				Black	34118N
	3/2 NC	A	Gas 1/8"	Red	34318R
				Black	34318N
	5/2	A	Gas 1/8"	Red	34518R
				Black	34518N
	5/3 CA	A	Gas 1/8"	Red	34121R
				Black	34121N