

# Mechanical poppet valves - 330 Series

Connections: 1/8" - 1/4" - 1/2"

## 330 SERIES



### Poppet valves

High mechanical strength

 Zinc and aluminium alloy body  
 Other metal components

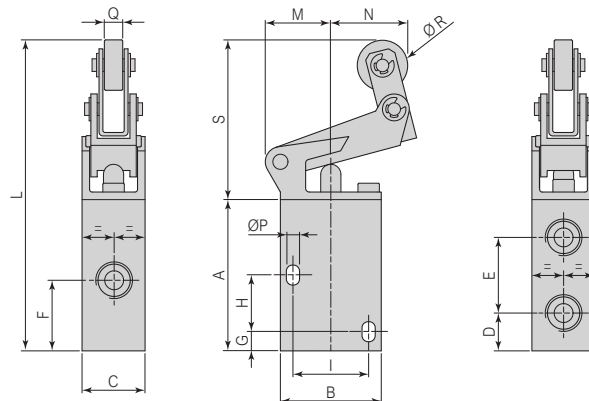
2/2 - 3/2 - 5/2 mechanical operation

### TECHNICAL FEATURES

<b>Function</b>	2/2 - 3/2 - 5/2		
<b>Operation</b>	Mechanical - Monostable mechanical spring return		
<b>Materials</b>	Body in painted zinc and aluminium alloy, other components in metal or plastic polymers Internal components in steel - aluminium - brass - NBR gaskets		
<b>Note on materials</b>	Compliant with REACH (1907/2006/EC and subsequent amendments)		
<b>Connections</b>	Size A: 1/8" Gas		
<b>Threads</b>	Cylindrical Gas (BSPP)		
<b>Operating temperature</b>	0°C ÷ 80°C (-20°C with dry air, to avoid ice formation)		
<b>Operating pressure</b>	0 ÷ 10 bar		
<b>Air flow rate</b>			
Connection	Size A - 1/8"	Size B - 1/4"	Size C - 1/2"
Nominal diameter	6 mm	8 mm	12 mm
Supply pressure	5 bar 355 NI/min	1100 NI/min	1520 NI/min
(with ΔP 1 bar)	6 bar 420 NI/min	1300 NI/min	1800 NI/min
	7 bar 480 NI/min	1480 NI/min	2050 NI/min
<b>Fluid</b>	Filtered air, lubrication-free, compliant with ISO 8573-1:2010 [7:4:4]		
<b>Lubrication</b>	Not required (if required in the pneumatic circuit, it must be continuous)		

### MECHANICAL VALVES

#### ONE-WAY MECHANICAL ROLLER OPERATION - MONOSTABLE WITH MECHANICAL SPRING RETURN



Symbol	Size	Connections	Way	Code	Roller stroke	A	B	C	D	E	F	G	H	I	L	M	N	ØP	Q	ØR
	A	Gas 1/8"	2/2 NC	32111	5 ÷ 9	45	30	16	11.5	22	21.5	4	20	23	93	20	27	4.5	3	15
	A	Gas 1/8"	3/2 NC	32311	5 ÷ 9	45	30	16	11.5	22	21.5	4	20	23	93	20	27	4.5	3	15