

Mechanical and manual poppet valves - 310 Series

Connection: Ø4 pipe

310 SERIES



Poppet valves

Low actuation force

 Anodised aluminium body
 Other metal components

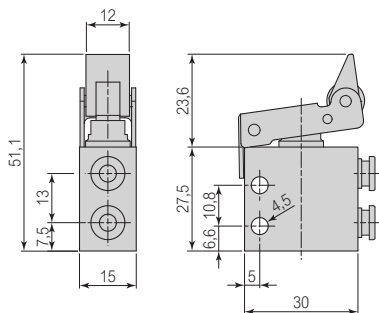
3/2 - 5/2 - 5/3 mechanical operation

TECHNICAL FEATURES

Function	3/2 - 5/2 - 5/3
Operation	Mechanical, manual - Monostable mechanical spring return, bistable, three positions
Materials	Body in anodised aluminium alloy, other components in metal or plastic polymers Internal components in steel - aluminium - brass - NBR gaskets
Note on materials	Compliant with REACH (1907/2006/EC and subsequent amendments)
Connections	Pipe Ø4mm
Operational force	6 N
Operating temperature	0°C ÷ +60°C (-20°C with dry air, to avoid ice formation)
Operating pressure	2 ÷ 10 bar
Air flow rate	
Connection	Pipe Ø 4mm
Nominal diameter	2.5 mm
Supply pressure	5 bar 85 NI/min
(with ΔP 1 bar)	6 bar 100 NI/min
	7 bar 115 NI/min
Fluid	Filtered air, lubrication-free, compliant with ISO 8573-1:2010 [7:4:4]
Lubrication	Not required (if required in the pneumatic circuit, it must be continuous)

MECHANICAL VALVES

ONE-WAY MECHANICAL ROLLER OPERATION - MONOSTABLE WITH MECHANICAL SPRING RETURN



Symbol	Way	Connections	Code
	3/2 NC	Pipe Ø4	32000C